

IMPORTANT SAFEGUARDS

When using electrical appliances, basic safety precautions should always be followed including the following:

READ ALL INSTRUCTIONS BEFORE USE

- Use iron only for its intended use.
- To protect against risk of electric shock, do not immerse the iron in water or other liquids.
- The Fabric Select Dial and Steam Lever should always be turned to OFF before plugging or unplugging from outlet. Never yank cord to disconnect from outlet; instead, grasp plug and pull to disconnect.
- Do not allow cord to touch hot surfaces. Let iron cool completely before storing. Loop cord loosely around iron when storing.
- Always disconnect iron from electrical outlet when filling with water, cleaning, emptying or when not in use.

- Do not operate iron with a damaged cord or if the iron has been dropped or damaged. To avoid the risk of electric shock, do not disassemble the iron. Take it to an authorized service center for examination and/or repair. Incorrect reassembly can cause a risk of electric shock when iron is used.

- Close supervision is necessary for any appliance being used by or near children. Do not leave iron unattended while plugged in, turned on or on an ironing board.

- Burns can occur from contact with hot metal parts, hot water or steam. Use caution when you turn a steam iron upside down – there may be hot water in the reservoir.

- If the iron is not operating normally, disconnect from the power supply and have the iron serviced by an authorized service center or call Customer Service at 1 (800) 458-8407.

- Your SUNBEAM® iron is designed to rest on the heel rest. Do not leave the iron unattended. Do not set the iron on an unprotected surface, even if it is on the heel rest.

- This is a high wattage appliance. To avoid a circuit overload, do not operate another high wattage appliance on the same circuit.

- If an extension cord is absolutely necessary, a 15-ampere cord should be used. Cords rated for less amperage may overheat. Care should be taken to arrange the extension cord so that it cannot be pulled or tripped over.

FOR PRODUCTS PURCHASED IN THE UNITED STATES AND CANADA

To reduce the risk of electrical shock, this appliance has a polarized plug (*one blade is wider than the other*). This plug fits a polarized outlet only one way; if the plug does not fit fully into the outlet, reverse the plug. If it still does not fit, contact a qualified electrician. Do not attempt to defeat this safety feature.

SAVE THESE INSTRUCTIONS

MAINTAINING YOUR IRON

CLEANING SOLEPLATE: Clean with an all-cotton cloth if starch or other residues accumulate after iron is unplugged and cool.

WARNING: Do not immerse in liquids or use abrasive cleansers, scouring pads or vinegar to clean the soleplate. This will damage the finish.

USING SELF-CLEAN FEATURE: Use the Self-Clean feature once a month to maintain optimal iron performance.

- Turn off iron.
- Move Steam Lever/Knob back and forth to remove debris and minerals from Steam Valve. This keeps water flowing into the steam chamber.
- Fill water reservoir with tap water to MAX line.
- Plug in iron, set Fabric Select Dial to Linen and heat for 2 minutes.
- Unplug iron. Holding iron over a sink in a horizontal position, press Self-Clean Button (or depending on your model, rotate the steam control knob to the clean setting) and hold. Water will begin dripping from the steam vents. Slowly rock iron side to side and front to back for 30 seconds. Dip nose of the iron slightly below the rear to circulate water. Release Self-Clean Button after one minute.
- Open fill cap and empty remaining water. Carefully dry soleplate with a towel.
- Plug in iron and set Fabric Select Dial to Linen and Heat for 2 minutes to dry out completely. Set Fabric Select Dial to Off, unplug the iron, and allow to cool.

ANTI-CALCIUM SYSTEM *(select models only)*

Anti-calcium is a permanent system located inside the water reservoir to eliminate impurities.
TO PROLONG EFFICIENCY, FOLLOW THESE STEPS ONCE A MONTH OR After Every 30 Uses:

- Turn off iron.
- Add 1 teaspoon of salt to ¼ cup water and fill water reservoir with this solution.
- Leave solution in water reservoir for 15 minutes, shake occasionally, and then empty through the fill hole or through the “clean method”.
- Fill water reservoir again with salt water solution, shake and empty after 15 minutes.
- Fill water reservoir with fresh water to rinse and empty.

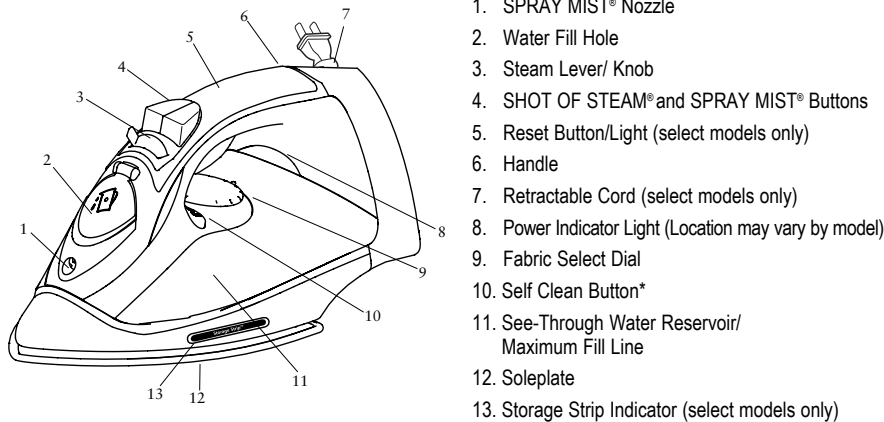
IRONING TIPS

- Before ironing, check the garment label and follow manufacturer’s instructions. If no instructions, start with a low-heat setting and test by ironing a small area, and gradually increase heat.
- Sort garments by fabric type. Iron articles requiring a low-temperature setting and gradually work up the temperature range.
- When changing from a high-temperature setting to a lower one, allow 5 minutes for change.
- When steam ironing, use long, slow passes over the fabric to allow the steam to penetrate the fabric and the heat of the soleplate to dry the moisture.
- Iron linen garments inside out to prevent shine. An ironing cloth or cotton fabric can be used to reduce shine.
- If the garment is lined, use a low heat setting.
- Ensure zippers are closed and flap is flat. Iron over the flap, holding the garment taut.
- Spray starch makes the job easier.

IRONING SHIRTS

- Begin with the collar and work toward the middle from the outer edges. Iron lengthwise, not in circles.
- Lay shoulder over narrow edge of the board and iron one side of the front. Then iron the shoulder, across the back (below the collar line), the other shoulder and the remainder of the front.
- Iron sleeves and cuffs, working down from the underarm seams. To remove creases, shift the double layer of sleeve fabric and iron out.
- Iron body of garment, from half of the front around the back, then second half of front. If your shirt does not open, slip over end of ironing board and iron front and back in turn.

FEATURES



NOTE: The model shown in the manual is for reference only. Your model may differ slightly
* Some self clean buttons are integrated into the steam control knob, if not located on the tank as shown.

FILLING WATER RESERVOIR *(use tap water)*

- Turn Steam Lever to ☼ (Dry) and Fabric Select Dial to Off. Unplug.
- Lift the Water Fill Hole Cover. Use any easy-pour measuring cup to fill the water reservoir with tap water through the water fill hole. Do not fill water reservoir beyond maximum fill line.

WARNING: To prevent the risk of burns, be careful when filling a hot iron with water. Hot metal parts, hot water and steam can cause injuries.

DRY IRONING

- Ensure Steam Lever is turned to the ☼ (Dry) setting.
- Plug the cord into a 120-Volt AC outlet.
- Turn Fabric Select Dial to desired setting. Allow iron to heat for 2 minutes on its heel rest on a stable, protected surface.

NOTE: While Steam Lever is turned to the ☼ (Dry) setting, you may still use the SHOT OF STEAM® or SPRAY MIST® features, as long as the Fabric Select Dial is set to wool, cotton, or linen. Water reservoir must be at least ¼ full of water.

STEAM IRONING

- Fill Water Reservoir and plug the cord into a 120-Volt AC outlet.
- Turn the Fabric Select Dial to desired setting. Allow the iron to heat for 2 minutes on its heel rest on a stable, protected surface. Turn steam control to desired setting.

IMPORTANT: When not ironing, always set the Steam Lever to ☼ (Dry) and the Fabric Select Dial to OFF.

SPECIAL FEATURES

SPRAY MIST® FEATURE is a powerful water spray mist that dampens the fabric to aid in removing wrinkles from heavy fabrics and for setting creases.
TO USE: Press the Spray Mist® button firmly.

SHOT OF STEAM® FEATURE provides an extra burst of steam for deep penetration of stubborn wrinkles. You can use this feature while Dry or Steam ironing as long as the Fabric Select Dial is set to wool, cotton, or linen. The water reservoir must be at least ¼ full of water.
TO USE: Place the iron on top of the wrinkle and press the Shot of Steam® button each time you would like an extra burst of steam. The Shot of Steam® feature may be used continuously in approximately 3-second intervals.

IRONING TIPS *(continued)*

IRONING PANTS

- Begin with the waistband and inseam area, then pockets and cuffs.
- Pull waistband on pointy end of the board, as if you’re “dressing” the ironing board. Iron upper-front part of the pants, including the waistband.
- Place pants parallel to ironing board lengthwise so both legs are facing the same direction. Iron each leg by moving the iron back and forth along the pant leg.
- Take cuff of the leg and bring it over towards the waistband to iron the inner part of the leg. Repeat these 2 steps for the second leg.

TROUBLE SHOOTING

PROBLEM	CAUSE/SOLUTION
Power indicator is blinking	<ul style="list-style-type: none">The light blinks to indicate that the iron auto-off function has been activatedIf your iron has a reset button, press it to restartTo stop blinking and reset, move the iron back and forth and allow to re-heat for 2 minutes
Iron is not heating	<ul style="list-style-type: none">Ensure the iron is on and power light is illuminatedVerify unit is plugged inAdjust fabric dial to the correct setting for your garments
Iron will not steam	<ul style="list-style-type: none">Ensure water tank level is at least ¼ fullEnsure steam lever is switched onPress Shot of Steam button several times to prime
Iron is leaking	<ul style="list-style-type: none">Only fill with water to the MAX levelAllow to heat for at least 2 minutes before useShot of Steam has been pressed too frequently. Only use shot of steam in 3 second intervals or lessShot of Steam used with incorrect fabric setting. Only use with Wool, Cotton or Linen settingsEmpty water tank after each use and turn steam lever off
Iron leaves spots/flakes on clothing	<ul style="list-style-type: none">Empty water tank completely after each useClean soleplate when cool with a wet, damp clothUse self-cleaning feature once a monthRefer to the Anti-Calcium System section (select models only)Ensure water cup used to fill the iron is clean
Wrinkles are not sufficiently removed	<ul style="list-style-type: none">Check that the temperature dial is set to the correct fabric settingUse Shot of Steam or Spray Mist features to help remove stubborn wrinkles
Fabrics are getting an unwanted “shine”	<ul style="list-style-type: none">Use an ironing cloth or a 100% white cotton fabric and place it between the garment being ironed and the iron to prevent “shine”

SPECIAL FEATURES *(continued)*

VERTICAL STEAM allows iron to function as a garment steamer.

TIP: When using vertical steam, hang clothing on a hanger for best results. Hanging curtains and drapes may also be steamed.

TO USE:

- Hold iron vertically near, but not touching the fabric you want to steam. Pull the fabric tight.
- Press Shot of Steam® button in 3-second intervals as you move iron over wrinkles.

WARNING: To prevent burns, keep hands away from the area being steamed.
WARNING: DO NOT steam garments while wearing them; this may result in injuries.

3-WAY MOTION SMART® AUTO-OFF FEATURE *(select models only)*

When iron is plugged in, the Power Indicator illuminates, indicating there is power to iron.

IF YOU LEAVE IRON ON:

- Horizontally without moving it, or accidentally tip the iron over, it will automatically stop heating after 30 seconds. The Power Indicator will blink to indicate the iron has stopped heating.
- Vertically (on its heel rest) without moving it, the iron will automatically turn off after several minutes (8 (8) or 15 depending on model). Some models will produce a beeping sound. Power Indicator blinks to indicate the iron has stopped heating.

IMPORTANT: The Power Indicator will continue to blink until the iron is unplugged or reset.

TO RESET: Move iron back and forth and reheat for 2 minutes.

RETRACTABLE CORD *(select models only)*

- Select amount of cord desired before plugging into an electrical outlet. Do not pull cord past red indicator.
- To retract cord, press retraction button.
- If cord is not fully rewound, pull out and steer cord evenly on the reel. If cord is not pulled out easily, pull cord firmly.
- Do not allow children to use retractable cord feature as cord may cause injury.

STORAGE STRIP® INDICATOR *(select models only)*

Indicates when the iron is cool enough to store.

Red = Iron is too hot to store.

Black = Iron is cool enough to store.

CAUTION: STORAGE STRIP® indicator should only be used as a guideline. Iron should always be handled and stored with care.

CARING FOR YOUR IRON AFTER USE

TURNING OFF IRON: Turn Steam Lever to ☼ (Dry) and Fabric Select Dial to Off. Unplug.

WARNING: NEVER yank power cord when unplugging iron. This can damage the cord.

Empty water tank completely after each use.

STORING YOUR IRON

- Turn off iron and allow to cool.
- Empty water reservoir after each use for a longer iron life.
- If your iron does not have a retractable cord, loosely loop the power cord around the heel rest and store the iron on its heel rest. **IMPORTANT:** Wrapping the cord around the iron too tightly can damage the cord.

1 YEAR LIMITED WARRANTY

Sunbeam Products, Inc. doing business as Jarden Consumer Solutions or if in Canada, Sunbeam Corporation (Canada) Limited doing business as Jarden Consumer Solutions (collectively “JCS”) warrants that for a period of one year from the date of purchase, this product will be free from defects in material and workmanship. JCS, at its option, will repair or replace this product or any component of the product found to be defective during the warranty period. Replacement will be made with a new or remanufactured product or component. If the product is no longer available, replacement may be made with a similar product of equal or greater value. This is your exclusive warranty. DO NOT attempt to repair or adjust any electrical or mechanical functions on this product. Doing so will void this warranty.

This warranty is valid for the original retail purchaser from the date of initial retail purchase and is not transferable. Keep the original sales receipt. Proof of purchase is required to obtain warranty performance. JCS dealers, service centers, or retail stores selling JCS products do not have the right to alter, modify or any way change the terms and conditions of this warranty.

This warranty does not cover normal wear of parts or damage resulting from any of the following: negligent use or misuse of the product, use on improper voltage or current, use contrary to the operating instructions, disassembly, repair or alteration by anyone other than JCS or an authorized JCS service center. Further, the warranty does not cover: Acts of God, such as fire, flood, hurricanes and tornadoes.

What are the limits on JCS’s Liability?

JCS shall not be liable for any incidental or consequential damages caused by the breach of any express, implied or statutory warranty or condition.

Except to the extent prohibited by applicable law, any implied warranty or condition of merchantability or fitness for a particular purpose is limited in duration to the duration of the above warranty.

JCS disclaims all other warranties, conditions or representations, express, implied, statutory or otherwise.

JCS shall not be liable for any damages of any kind resulting from the purchase, use or misuse of, or inability to use the product including incidental, special, consequential or similar damages or loss of profits, or for any breach of contract, fundamental or otherwise, or for any claim brought against purchaser by any other party.

Some provinces, states or jurisdictions do not allow the exclusion or limitation of incidental or consequential damages or limitations on how long an implied warranty lasts, so the above limitations or exclusion may not apply to you.

This warranty gives you specific legal rights, and you may also have other rights that vary from province to province, state to state or jurisdiction to jurisdiction.

How to Obtain Warranty Service

In the U.S.A.

If you have any question regarding this warranty or would like to obtain warranty service, please call 1.800.458.8407 and a convenient service center address will be provided to you.

In Canada

If you have any question regarding this warranty or would like to obtain warranty service, please call 1.800.667.8623 and a convenient service center address will be provided to you.

In the U.S.A., this warranty is offered by Sunbeam Products, Inc. doing business as Jarden Consumer Solutions located in Boca Raton, Florida 33431. In Canada, this warranty is offered by Sunbeam Corporation (Canada) Limited doing business as Jarden Consumer Solutions, located at 20 B Hereford Street, Brampton, Ontario L6Y 0M1. If you have any other problem or claim in connection with this product, please write our Consumer Service Department.



PLEASE DO NOT RETURN THIS PRODUCT TO ANY OF THESE ADDRESSES OR TO THE PLACE OF PURCHASE.

For product questions visit us online at www.sunbeam.com or call 800-458-8407.

Visite www.sunbeam.com para una Guía de Planchado y Sugerencias de Planchado

Visit www.sunbeam.com for an Ironing Guide and Ironing Tips

CBA-080112

© 2012 Sunbeam Products, Inc. operando bajo el nombre de Jarden Consumer Solutions. Todos los derechos reservados. Distribuido por Sunbeam Products, Inc. operando bajo el nombre de Jarden Consumer Solutions, Boca Raton, Florida 33431.

Sunbeam Consumer Service
EE.UU.: 1.800.458.8407
Canada: 1.800.667.8623
www.sunbeam.com

Para preguntas sobre los productos llame:

© 2012 Sunbeam Products, Inc. doing business as Jarden Consumer Solutions. All rights reserved. Distributed by Sunbeam Products, Inc. doing business as Jarden Consumer Solutions, Boca Raton, Florida 33431.

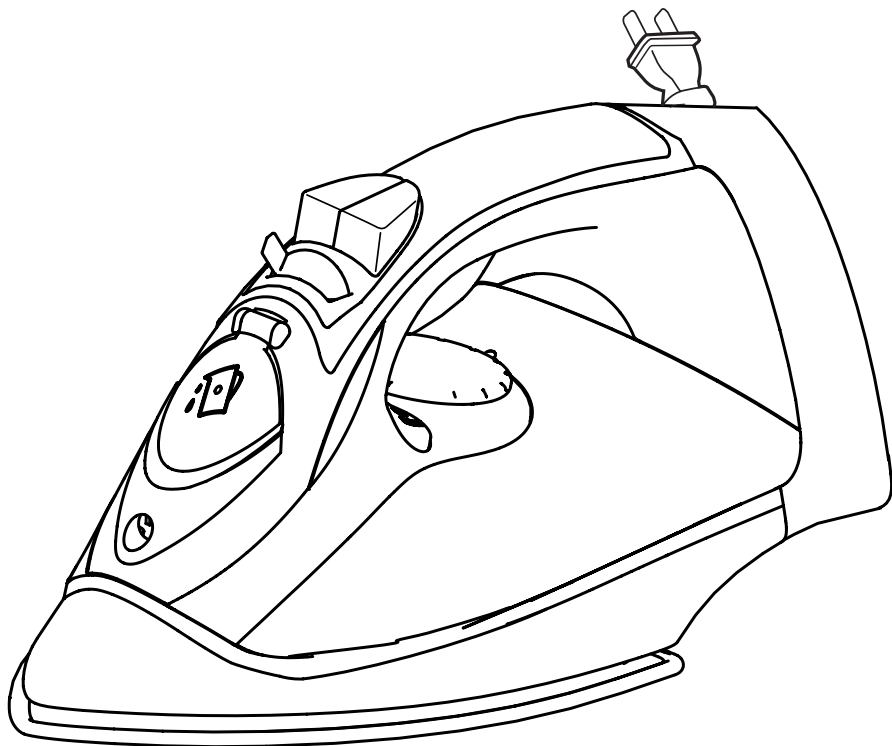
Sunbeam Consumer Service
USA: 1.800.458.8407
Canada: 1.800.667.8623
www.sunbeam.com

For product questions:

Sunbeam®

Sunbeam®

Instruction Manual **Sunbeam® Irons**
Manual de Instrucciones **Planchas Sunbeam®**



Series 2
Serie 2

