



Gas Appliance Use, Care & Assembly Manual With Lighting Instructions

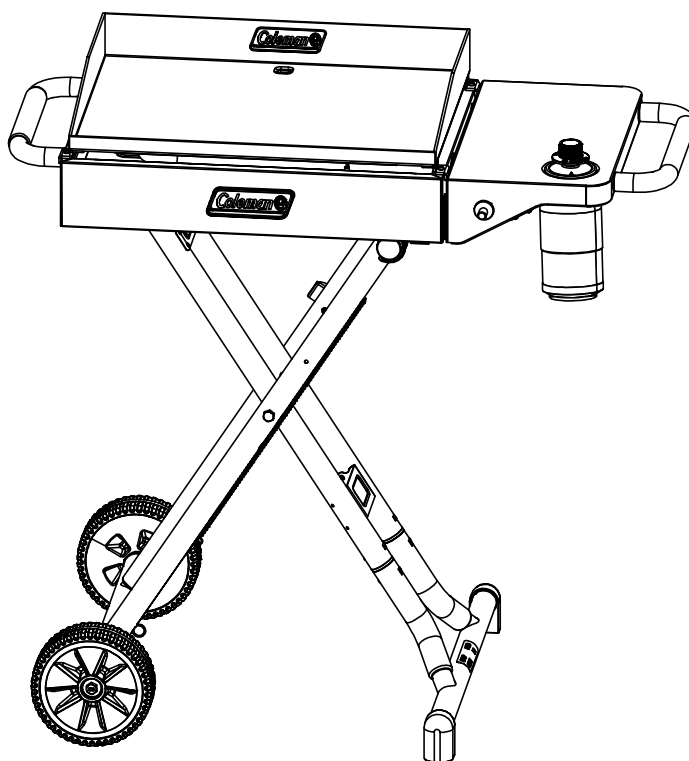
CM9917

ASSEMBLER/INSTALLER:

Leave these instructions with the consumer.

CONSUMER/USER:

Read all instructions and keep in a safe place for future reference.



IMPORTANT

Read this manual carefully before assembling, using or servicing this appliance. Keep this manual for future reference. If you have questions about assembly, operation, servicing or repair of this appliance, please call Coleman at 1-800-835-3278 or TDD: 1-316-832-8707. In Canada call 1-800-387-6161.

NOTE:
Propane cylinder is not included.

For Outdoor Use Only

The appliance is not intended for commercial use.



Contents

Contents	2
Technical Characteristics	2
General Safety Information	2
General Installation	3
Portable L.P. Gas Appliance Cylinders	3
Appliance Features	4
Assemble Appliance	5
Standing or Collapsing the Leg System	6
Installing 1 lb. Propane Cylinder	7
Burner and Orifice	7
Leak Testing - Disposable LP Gas Cylinders	7
How to Check for Leaks	8
Fixing A Fuel Leak	8
Start-Up Check List	8
Lighting Instructions	8
Lighting The Burner	8
Shutting Off the Appliance	9
General Use and Correct Burner Flames	9
Grilling Tips and Hints	10
In Case of Grease Fire	10
Care, Maintenance and Cleaning	10
Seasoning Griddle	11
Cleaning the Venturi	11
Moving and Storage	12
Troubleshooting	13
Replacement Parts List — CM 9917 Series	13
Warranty	14

Technical Characteristics

Input Rating: 1 burner @ 14,000 BTU/H
Category: Pressure regulated propane
Fuel: 16 oz. disposable propane cylinders
Regulator: Illida 666 regulator must be used

General Safety Information

This instruction manual contains important information necessary for the proper assembly and safe use of the appliance. General safety

information is presented on this page and is also located throughout these instructions. Particular attention should be paid to information accompanied by the safety alert symbol: “**▲ DANGER**”, “**▲ WARNING**”, “**▲ CAUTION**”.

Keep this manual for future reference and to educate new users of this product. This manual should be read in conjunction with the labeling on the product.

Read and follow all warnings and instructions before assembling and using the appliance. Follow all warnings and instructions when using the appliance.

The following symbols shown below are used extensively throughout these instructions. Always heed these precautions, as they are essential when using any mechanical or propane fueled equipment.

▲ DANGER

DANGER indicates an imminently hazardous situation which, if not avoided, will result in death or serious injury.

▲ WARNING

WARNING indicates a potentially hazardous situation which, if not avoided, could result in death or serious injury.

▲ CAUTION

CAUTION indicates a potentially hazardous situation which, if not avoided, may result in minor or moderate personal injury, or property damage.

▲ DANGER

If you smell gas:

1. Shut off gas to the appliance.
2. Extinguish any open flame.
3. If odor continues, keep away from the appliance and immediately call your fire department.

Failure to follow these instructions could result in fire or explosion which could cause property damage, personal injury or death.

▲ DANGER

1. Never operate this appliance unattended.
2. Never operate this appliance within 10 ft (3.0 m) of any structure, combustible material or other gas cylinder.
3. Never operate this appliance within 25 ft (7.5 m) of any flammable liquid.
4. If a fire should occur, keep away from the appliance and immediately call your fire department. Do not attempt to extinguish an oil or a grease fire with water.

Failure to follow these instructions could result in fire, explosion or burn hazard which could cause property damage, personal injury or death.

▲ WARNING

1. Do not store or use gasoline or other flammable liquids or vapors in the vicinity of this or any other appliance.
2. An LP cylinder not connected for use shall not be stored in the vicinity of this or any other appliance.
3. Do not move the appliance when in use. Allow the cooking vessel to cool to 115°F (45 °C) before moving or storing.
4. This appliance is not intended for and should never be used as a heater.
5. This appliance will be hot during and after use. Use insulated oven mitts or gloves for protection from hot surfaces or splatter from cooking liquids.

CALIFORNIA PROPOSITION 65:

⚠ WARNING: This fuel, and byproducts or combustion of this fuel, contains Carbon Monoxide, which is known to the State of California to cause cancer and birth defects or other reproductive harm. For more information go to www.P65Warnings.ca.gov

⚠ DANGER

- FOR OUTDOOR USE ONLY. NEVER operate grill in enclosed areas, as this could lead to gas accumulating from a leak, causing an explosion or a carbon monoxide buildup which could result in injury or death. DO NOT use in garages, breezeways, sheds or any enclosed area.
- NOT FOR USE BY CHILDREN.
- If these instructions are ignored, a hazardous fire or explosion could result in physical injury, death or property damage!

⚠ WARNING

- DO NOT move grill while it is lit.
- Keep outdoor cooking gas appliance area clear and free from combustible materials, gasoline and other flammable vapors and liquids.

⚠ WARNING

- NEVER place more than 20 pounds on a side table. DO NOT lean on grill.
- NEVER use charcoal briquettes or lighter fluid in a gas grill.
- Grill is hot when in use; to avoid burns, DO NOT touch any hot grill surface. Keep children and pets away from hot grill.
- NEVER leave the grill unattended while it is in use.
- It is your responsibility to assemble, install, operate and care for your gas grill properly.
- DO NOT use gas grill indoors.
- Under some circumstances, propane may lose the distinctive odor that was added. Other strong odors may hide or mask the odor of propane. Colds, allergies, sinus congestion, and the use of tobacco, alcohol or drugs may impair your ability to detect the odor of propane.

⚠ WARNING

- If the outdoor cooking gas appliance is not in use, the gas must be turned off at the supply cylinder(s).
- Storage of an outdoor cooking gas appliance indoors is permissible only if the cylinder(s) is (are) disconnected and removed from the outdoor cooking gas appliance.
- Cylinders must be stored outdoors out of the reach of children and must not be stored in a building, garage or any other enclosed area.

General Installation

- Installation must conform with local codes or, in the absence of local codes, with either the [National Fuel Gas Code, ANSI Z223.1/NFPA 54](#), [Natural Gas and Propane Installation Code, CSA B149.1](#), or [Propane Storage and Handling Code, CSA B149.2](#), as applicable.
- To check local codes, see your local L.P. gas dealer or natural gas company listed in the Yellow Pages for recommended installation procedures and regulations.

⚠ WARNING

This appliance is not to be installed in or on a recreational vehicle and/or boat.

Follow these safety rules before each use:

1. A minimum clearance of 24 inches from the left, right and back sides of the grill must be maintained between the grill and any combustible construction such as wood siding of a building.
2. Never locate the grill under an unprotected combustible material or overhang.
3. Do not obstruct the flow of combustion and ventilation air.
4. The grill should be level and not facing directly into the wind.

⚠ WARNING

A liquid propane tank, not connected for use with this gas appliance, shall not be stored in the vicinity of this or any other appliance.

Connections must comply with local requirements and are the sole responsibility of the person performing the work.

⚠ WARNING

- DO NOT attempt to adjust the regulator as this could create a situation causing personal injury or property damage.

Portable L.P. Gas Appliance Cylinders

Liquefied Petroleum gas (abbreviated L.P. gas or propane), is highly flammable. It becomes liquid when stored under high pressure inside a cylinder and vaporizes when released. L.P. gas is heavier than air and tends to collect in low areas. It is important that there are no leaking connections on your gas appliance that could cause a fire or explosion (see the section titled "LEAK TESTING").

Portable LP gas appliances require a fuel delivery system which is comprised of a regulator [A], an L.P. gas supply cylinder [C], (Fig. 1) Illustration in Fig. 1 is for description purposes only.

Cylinder Specifications

- All L.P. gas cylinders used with this appliance shall be constructed and marked in accordance with the Specifications for L.P. Gas Cylinders of the U. S. Department of Transportation (DOT) or the National Standard of Canada, CAN/CSA-B339, Cylinders, Spheres and Tubes for Transportation of Dangerous Goods; and Commission, as applicable; and a cylinder connection device compatible with the connection for outdoor cooking appliances.
- Read labels on the L.P. Gas Supply Cylinder.

⚠ WARNING

Your new barbecue appliance is equipped with a CGA # 600 regulator [A]. DO NOT attempt to connect this regulator to any other disposable L.P. cylinder not equipped with a mating CGA # 600 fitting [B]. This appliance may only be used with the pressure regulator supplied with this unit, or pressure regulators specified by Coleman for use with this unit. Replacement regulators must only be those specified by Coleman (Fig. 1).

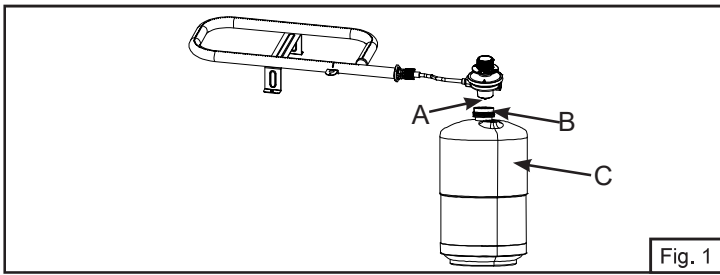


Fig. 1

⚠ DANGER

- NEVER store a spare L.P. gas supply cylinder under the appliance body or in the vicinity of any heat producing appliance (Fig. 2).

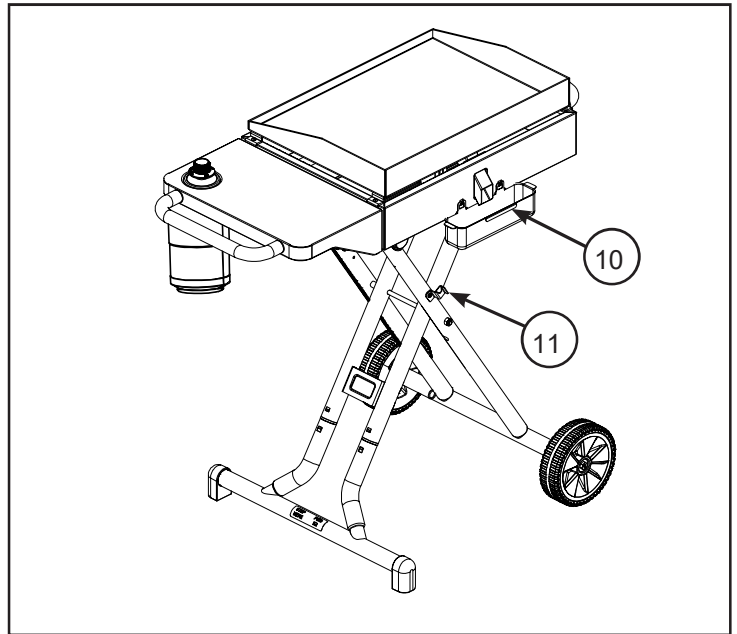
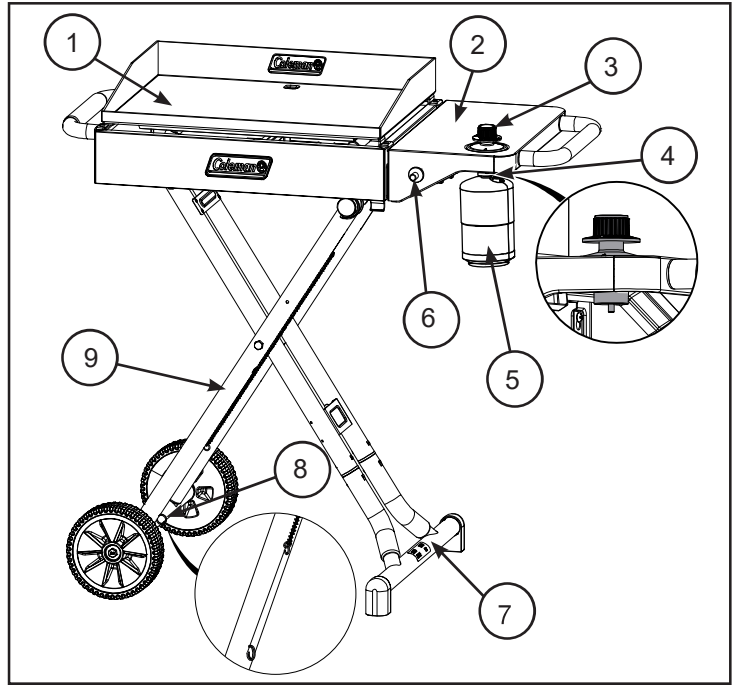
Failure to follow this information exactly could result in an explosion and/or fire causing death or serious injury.



Fig. 2

REPRESENTATIVE ILLUSTRATION

Appliance Features



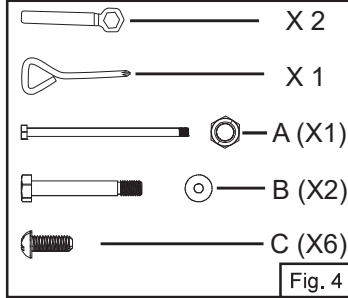
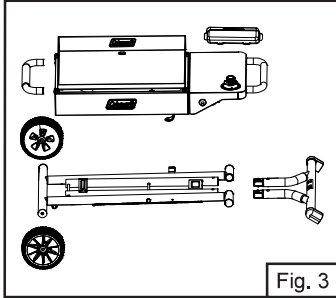
1. Griddle
2. Side Table
3. Control Knobs
4. Regulator
5. Disposable Cylinder (Not Included)
6. Electronic Igniter Button
7. Towing Handle
8. Match Extension (Store on leg)
9. Legs w/ Wheels
10. Grease tray
11. Leg Locker

Assemble Appliance

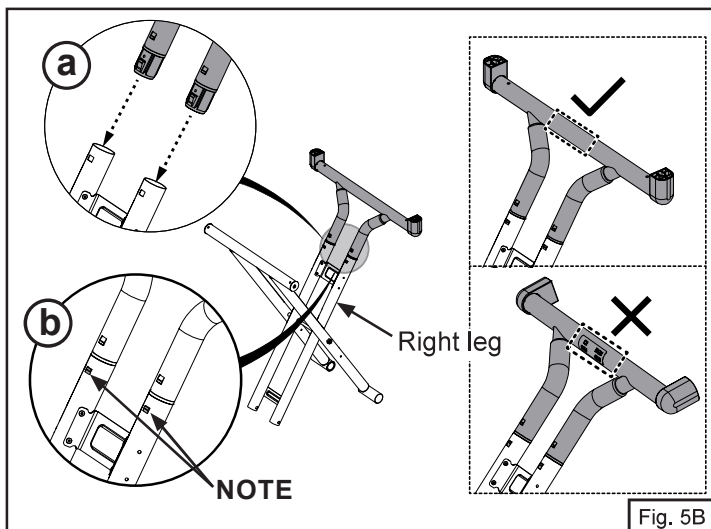
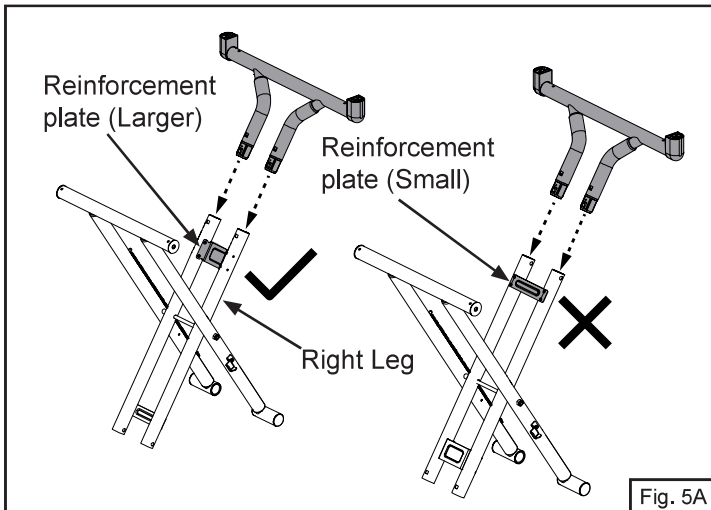
IMPORTANT: Remove all packing material prior to assembly/use.

During assembly, lid should be latched and appliance should lie on carpet or cardboard.

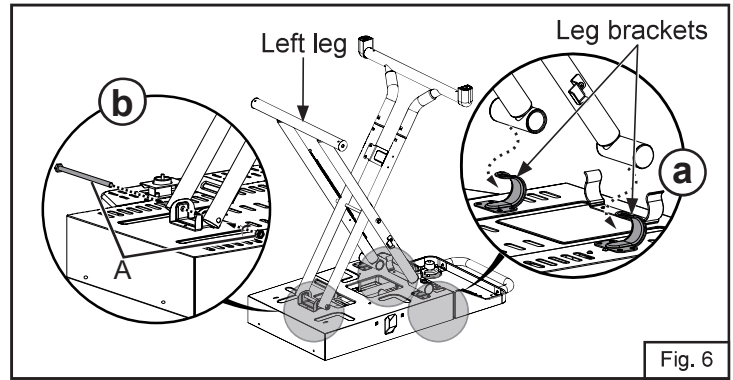
1. Inspect and remove all components from package (Fig. 3).
2. See carton for parts and hardware included with your appliance (Fig. 4).



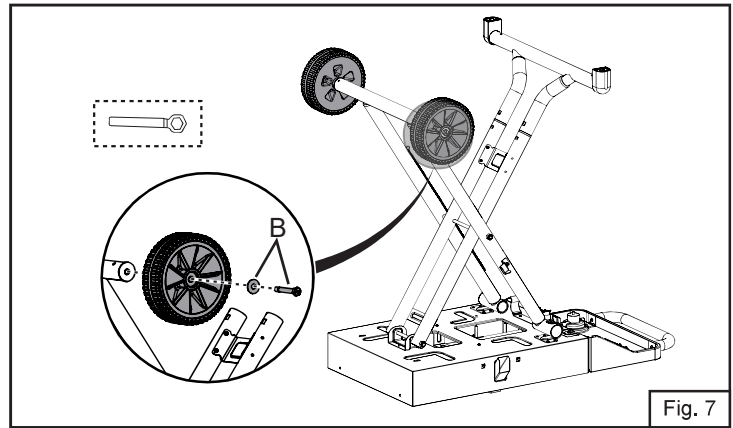
3. Turn over the appliance and place it onto a soft surface.
4. Insert the towing handle into the right leg (Fig. 5A).
5. Sliding towing handle into legs as shown below. Continue sliding into leg until lock into place (Step b in Fig. 5B). **NOTE:** Please refer to Fig. 5A and Fig. 5B for proper orientation of the towing handle.



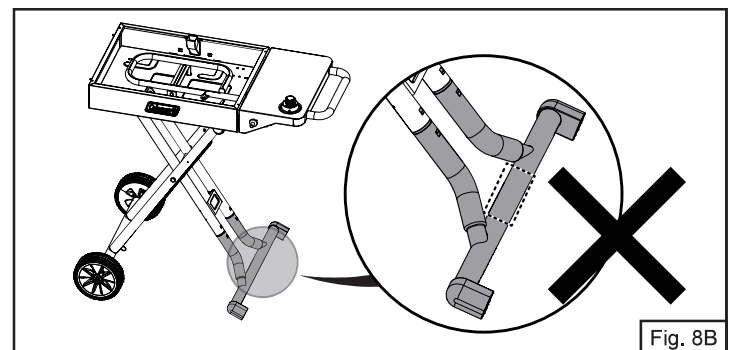
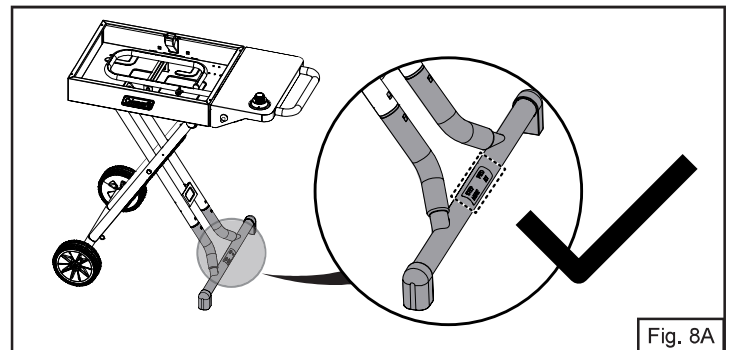
6. Extend the legs and put the ends of the left leg into leg brackets (Step a in Fig. 6). Attach the right leg to the appliance base with bolt A (Step b in Fig. 6).



7. Use the wrench to attach each wheel to axle using one bolt and one washer (Fig. 7).



8. Turn over the appliance and make sure the towing handle is installed correctly. **NOTE:** It is correct to see the warning text facing upward (Fig. 8A). Otherwise is incorrect (Fig. 8B).



9. Secure the handle with screws (Fig. 9).

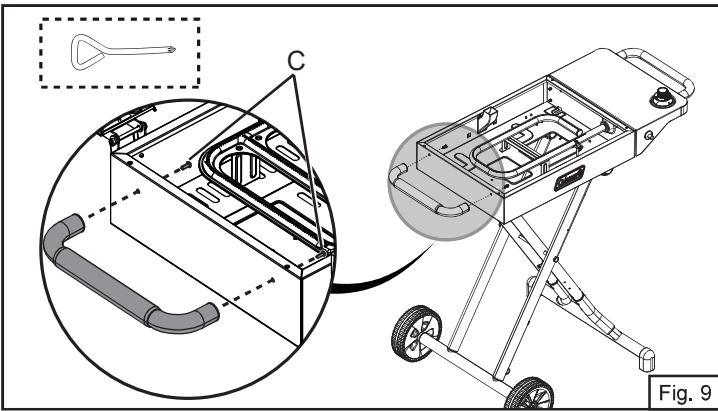


Fig. 9

10. Place the griddle face up on the appliance (Fig. 10).

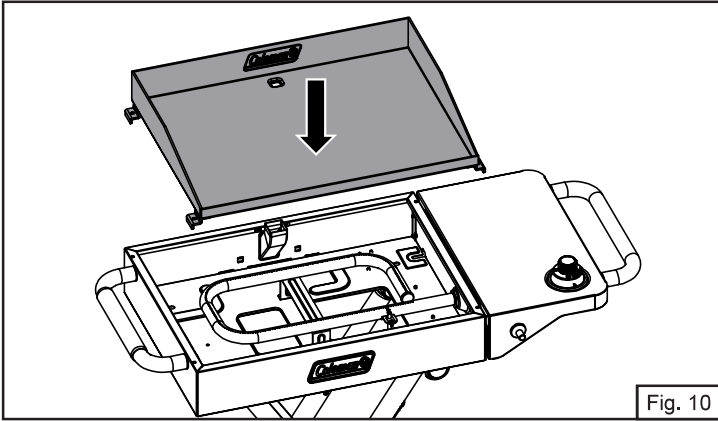


Fig. 10

11. Turn the screws clockwise to secure the griddle (Fig. 11).

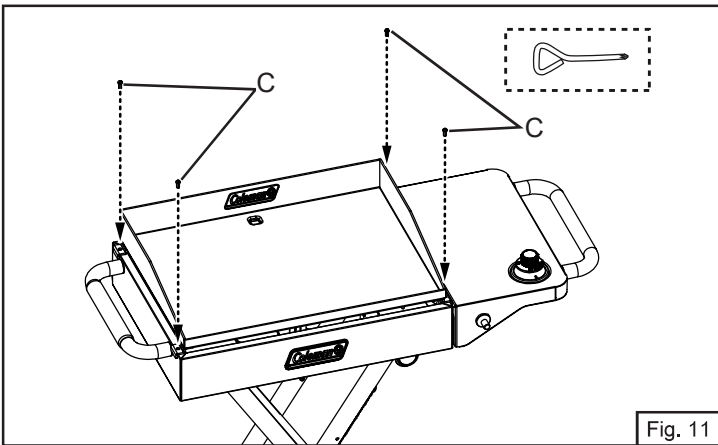


Fig. 11

12. Put the grease tray under the side table (Fig. 12).

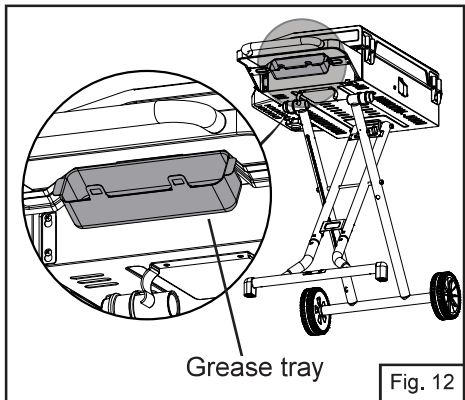


Fig. 12

Standing or Collapsing the Leg System

How to Collapsing the Leg System:

1. Place one foot on the towing handle, grasp the carry handle, and lift up and toward you (Fig. 13A). The Legs are now unlocked from the Red Hook-Shaped Brackets under the Appliance (Fig. 13B). Allow the appliance to lower (Fig. 13C). The wheels will roll away from you. It is now in the folded or collapsed position. Give the carry handle a gentle push so the legs stay secure. You will now be able to pick up on the tow handle and stand the appliance on its end.

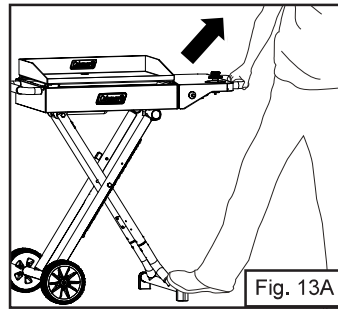


Fig. 13A

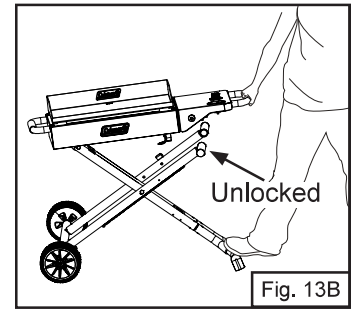


Fig. 13B

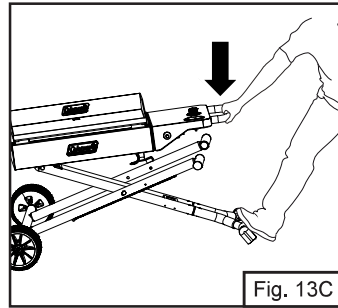


Fig. 13C

2. Press the appliance firmly downward until legs lock into clip (Fig. 14).

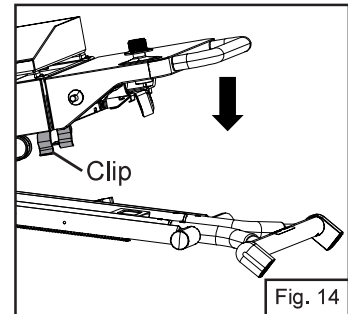


Fig. 14

3. Rotate the leg locker clockwise into slot to secure legs (Fig. 15).
4. Once the legs are locked in position, turn the appliance back over so the griddle (or lid) is again facing up. The appliance can now easily be moved to any location in your campsite or backyard by grasping the towing handle (Fig. 16)

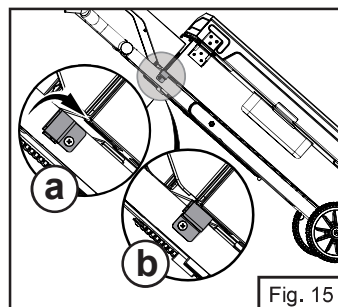


Fig. 15

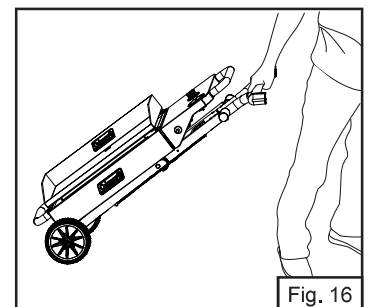
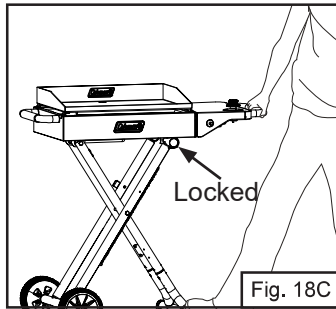
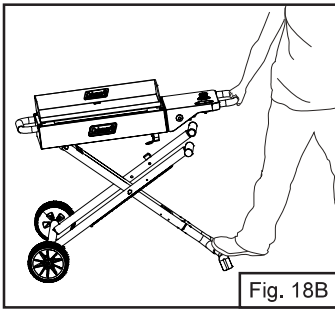
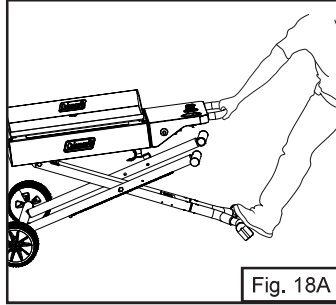
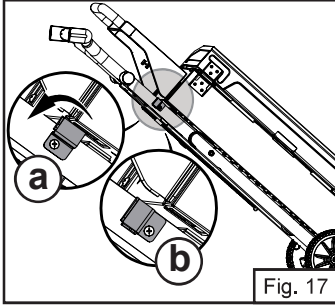


Fig. 16

How to Standing the Leg System:

1. Rotate the leg locker counterclockwise to release legs. (Fig. 17).
2. Open the appliance from the folded position. Place one foot on the towing handle, grasp the carry handle, and lift up and toward you (Fig. 18A). Continue to pull up until the appliance stand is fully extended (Fig. 18B).
3. Lock the appliance top into the leg hooks as shown (Fig. 18C).



Installing 1 lb. Propane Cylinder

NOTE: Your CM9917 Series appliance is set up from the factory to use a 1 lb. disposable propane cylinder.

⚠ WARNING

Only cylinders marked "Propane" must be used.

⚠ WARNING

This procedure **MUST** be performed **OUTDOORS** only! Read and follow the directions on the cylinder.

⚠ DANGER

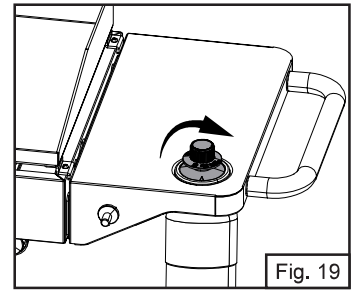
- NEVER store a spare L.P. gas supply cylinder under the grill body or inside the grill enclosure or in the vicinity of any heat producing appliance.

Failure to follow this information exactly could result in an explosion and/or fire causing death or serious injury.

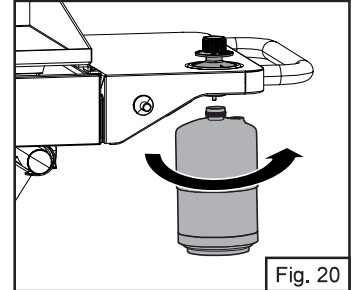
⚠ CAUTION

Tighten by hand only. **DO NOT** use tools.

1. Before attaching propane cylinder make sure both control knobs are closed (Fig. 19).

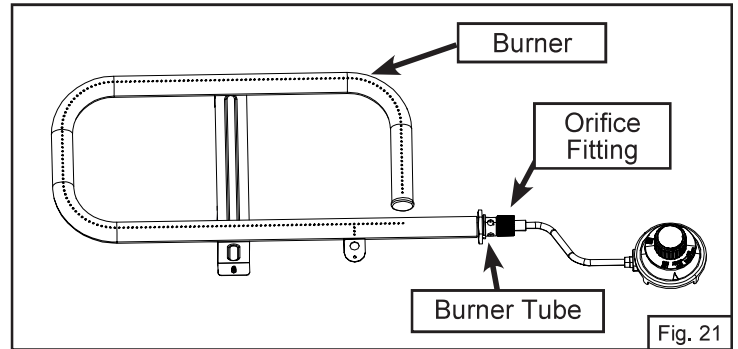


2. Remove plastic cap from top of propane cylinder and screw cylinder into regulator hand tight (Fig. 20).



Burner and Orifice

1. Proper location of the burner with respect to the orifice is important. To verify the proper installation of the burner tube, use a screwdriver to remove the control panel. The burner tube must be located over the orifice fitting (See Fig. 21). (control panel not shown).



2. Check and clean the burner/venturi tubes for insects and insect nests. A clogged tube can lead to a fire beneath the appliance.

Leak Testing - Disposable LP Gas Cylinders

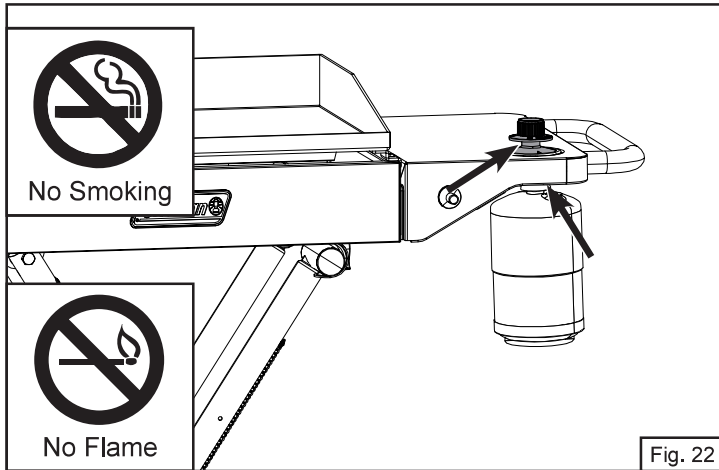
⚠ DANGER

To Prevent Fire or Explosion Hazard:

- NO SMOKING. DO NOT use or permit sources of ignition in the area while doing a leak test.
- Perform leak tests outdoors only.
- NEVER perform a leak test with fire or flame.

How to Check for Leaks

1. Make a soapy solution of equal parts mild liquid dishwashing detergent and water.
2. Turn off the burner control knobs.
3. Apply a soap solution to the connections indicated with the arrows (Fig. 22). If bubbles appear at these areas, a leak is indicated.



Fixing A Fuel Leak

If you detect a leak:

1. Stop a leak by tightening the loose joint, or by replacing the faulty part with a replacement part recommended by Coleman. DO NOT attempt to repair the cylinder if it should become damaged; the cylinder MUST be replaced.
2. If you are unable to stop a leak, remove the cylinder from the appliance. DO NOT use the appliance until the leak is corrected.

When to test for leaks:

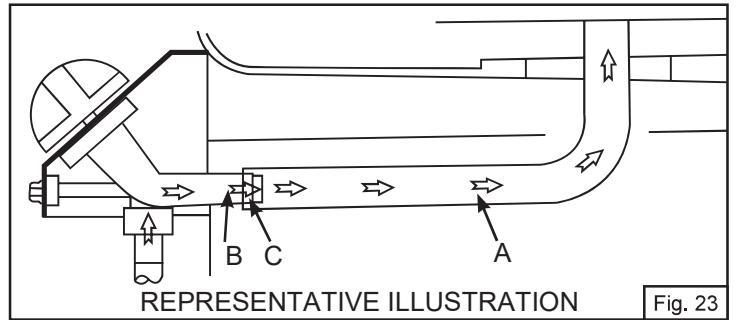
1. Perform a leak test each time the gas supply cylinder is connected to the regulator. Leak test anytime a part of the gas system is replaced.

Start-Up Check List

⚠ WARNING

Failure to follow these safety steps before using the appliance each time could result in a fire that could be hazardous to you, your appliance or property. It is especially important to observe these steps after the appliance has been stored, moved or cleaned.

1. Regularly check the burner venturi tube for blockage from an insect nest. Read "Cleaning the Venturi" in the section titled "Care, Maintenance, and Cleaning", and also the section titled "Troubleshooting".
2. Check that the burner tube [A] is set over the regulator outlet [B] correctly. The orifice [C] must be inside the venturi (Fig. 23).
3. Use only the gas specified.
4. Keep the appliance on a level surface.



⚠ CAUTION

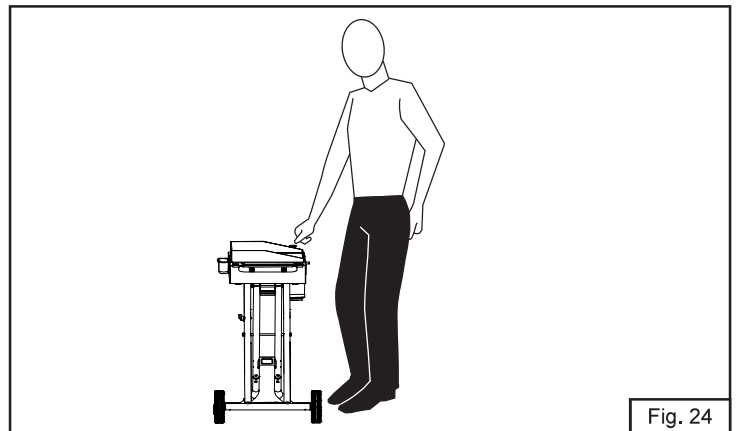
DO NOT add charcoal or lighting fluid!

Lighting Instructions

⚠ WARNING

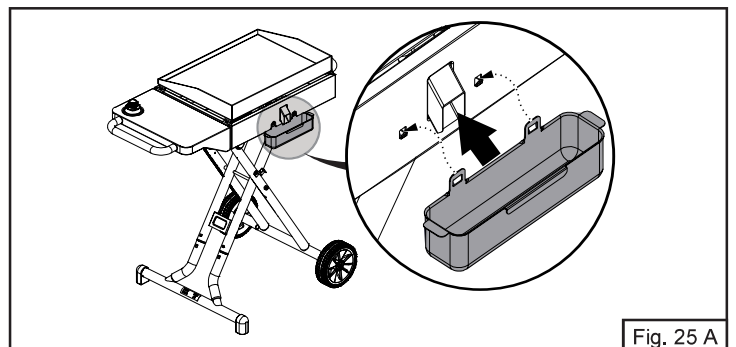
THE FOLLOWING RULES MUST ALWAYS BE FOLLOWED IN THIS ORDER (Fig. 24):

1. Read all instructions before lighting.
2. If ignition does not occur in 5 seconds, turn the burner control(s) off, wait 5 minutes, and repeat the lighting procedure.
3. Check that the burner control knobs are turned to "OFF".
4. DO NOT stand with your head or arms over the appliance.



Lighting The Burner

Please install the grease tray before lighting the appliance (Fig. 25 A).



Note: When the grease tray is nearly full, it needs to be emptied (Fig. 25 B). Be careful of the scalding oil and tray. Use tools or thermal protective gloves to remove, clean the oil then install properly.

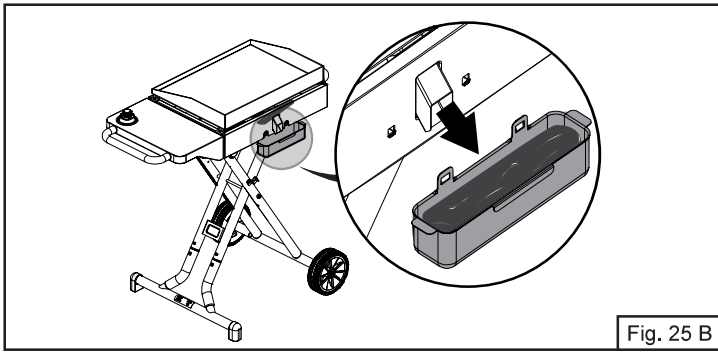


Fig. 25 B

INSTASTART™ Electronic Ignition

1. Push and turn control knob 90 degrees counterclockwise to open then push igniter button repeatedly until burner lights (Fig. 26).
NOTE: If igniter fails to light appliance, use match to light burner. See match light instructions. If the appliance is wet, the igniter may not spark.
2. Adjust flame with control knobs (Fig. 27).

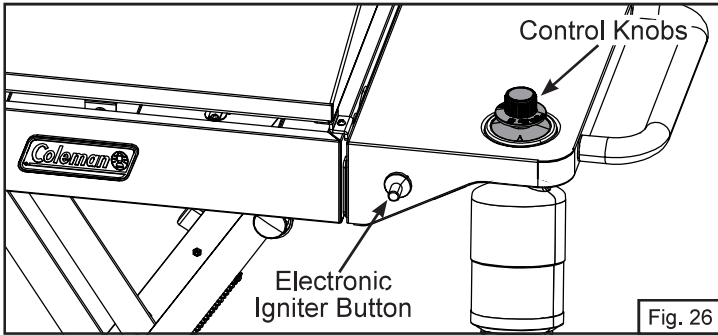


Fig. 26

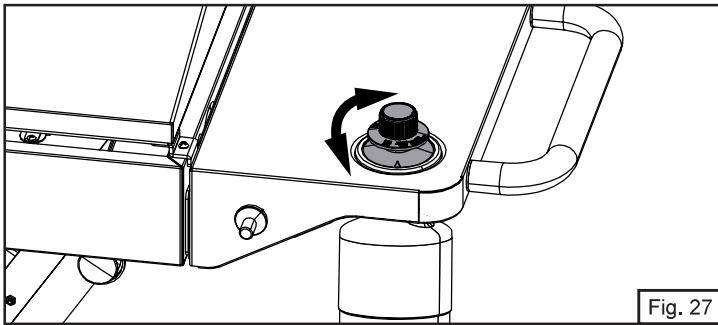


Fig. 27

Match Lighting

1. Strike and place the burning long wooden match (or use the match extension or a butane lighter with extension) through the spaces in the appliance near the ports of the burner (Fig. 28).
2. Push and turn control knob 90 degrees counterclockwise to open burner.
3. Repeat steps 1 and 2 to light the second burner.

⚠ CAUTION

Use a LONG wooden match or a butane lighter with an extension. If a long-reach match or lighter is not accessible, use the match extension (Store on leg). Insert a match in the holder end of the extension, strike and place the burning match near the BURNER being operated.

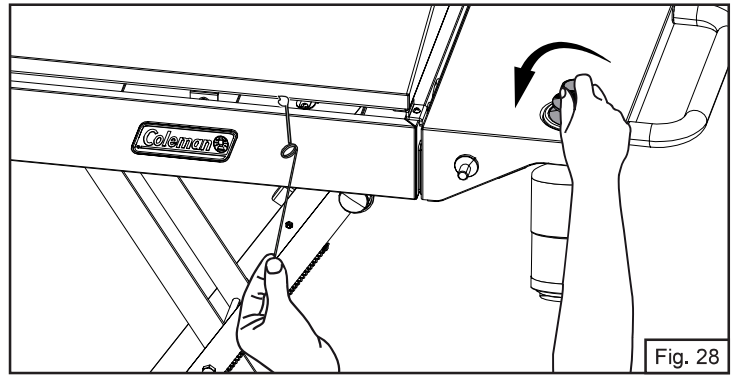


Fig. 28

Shutting Off the Appliance

⚠ CAUTION

DO NOT touch hot appliance parts with your bare hands! You MUST use protective gloves.

1. Turn both control knobs off (Fig. 29).

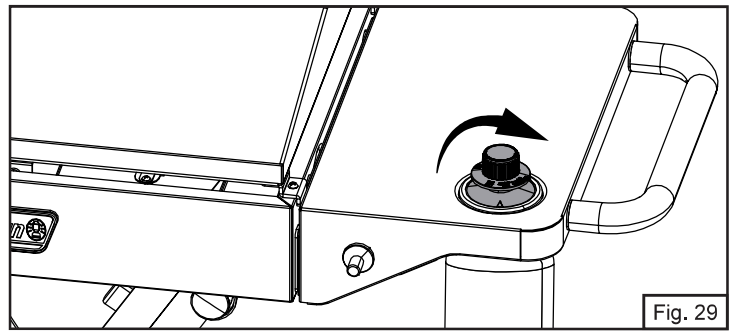


Fig. 29

⚠ CAUTION

Be certain the disposable cylinder is disconnected when the appliance is not in use.

General Use and Correct Burner Flames

⚠ WARNING

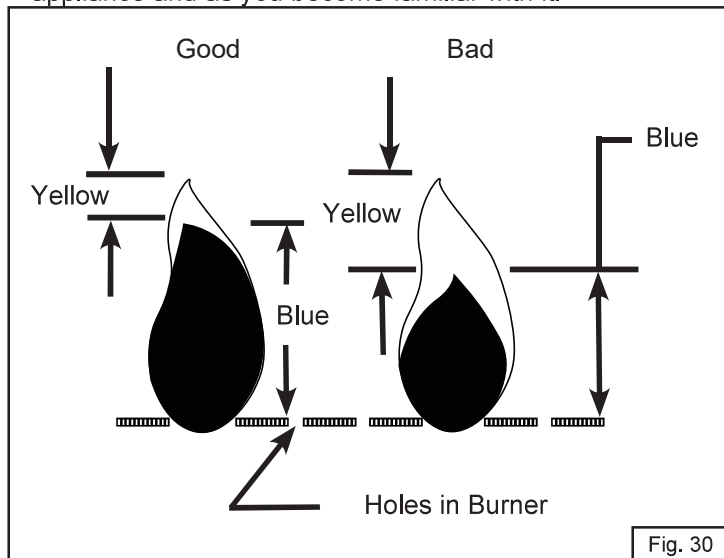
- Keep the appliance area clean and free from combustible materials, gasoline and other flammable vapors, liquids, and spare L.P. cylinders.
- To avoid the possibility of tipping over the appliance, NEVER place more than 20 pounds on the side table. A filled 4-quart aluminum pot weighs approximately 10 pounds.
- DO NOT obstruct the flow of combustion and ventilation air.
- Keep the ventilation opening(s) of the L.P. cylinder enclosure free and clear of debris.
- A barbecue appliance becomes hot during use. DO NOT touch griddles.
- Be sure to tighten all hardware (screws, nuts, bolts, etc.) at least once a year or before each grilling season.

The Burner Flame

- The appliance should be in place.
- Keep your arms and face away from being directly above the cooking area. Look through the appliance and observe

the burner's flame below.

- Flames should appear similar to the good flame shown in Fig. 30 and as follows:
- A good flame should be blue with a yellow tip.
- Some yellow tips on flames up to 1 inch in length are acceptable as long as no carbon or soot deposits appear.
- If flames are excessively yellow and irregular, the oil residue may not be completely burned off, or the venturi may be clogged or may not be properly positioned over the orifices. Allow the appliance to cool before repositioning the venturi over the valve and orifices.
- Appliances that have been in use for a while sometimes begin to show more yellow flame. A build-up of food deposits, fats or cooking seasonings can cause yellowing flames. Clean the burner to remove residue and check for clogged burner holes or a blocked venturi. Refer to the section titled "Cleaning the Venturi".
- Regular use of your appliance will actually help keep it operating more smoothly.
- Each appliance may heat differently. Some units will heat somewhat more to the center and back of the appliance. The flavor of grilled food will improve the more you use the appliance and as you become familiar with it.



Grilling Tips and Hints

Burner Control Setting Tips

- The high flame setting is too hot for direct cooking. The high flame setting is good for quick searing of meat, then finish cooking on medium or low flame settings.
- Use the high flame setting to preheat the appliance for 5 minutes before cooking.
- Use a medium flame setting for direct cooking of steaks, pork chops, chicken and hamburgers.
- Use a low flame setting for roasts.
- Thick steaks will finish with a better texture and more juice if first seared on high flame setting and then cooked on a low flame setting.

Safe Appliance Operation

- NEVER leave cooking food unattended. Continually observing the food will help in maintaining an even temperature, conserve fuel, improve the food's flavor and lessen flare-ups.
- DO NOT expose any part of your body directly above the cooking area.

Food Preparation Hints

Your appliance can cook a variety of foods. For best results, follow these instructions:

- Trim excess fat from meat and poultry. Slash any remaining fat to stop curling, but take care not to cut the meat.
- Frozen meat and poultry should be thawed prior to cooking.
- Frozen fish and vegetables will cook without thawing.
- Salt food after cooking to help prevent drying out the food.
- Brush naturally lean meats with cooking oil or margarine.
- Cook small pieces of tender foods in foil or on special delicate-food appliance.
- Apply barbecue, tomato or sugar-based sauces no sooner than the last 10 minutes of cooking.
- Turn food with tongs or a spatula; piercing food (especially meat), tends to dry it out.

In Case of Grease Fire

Follow These Steps

1. Shut off the gas at the control knob(s) and stay away!
2. Allow the fire to burn itself out.
3. Once the fire is out and the appliance has cooled, remove the disposable cylinder.
4. Clean all parts and inspect for damage. Parts to check for damage are the L.P. cylinder, regulator, burner valve(s) and burner(s).
5. If any of the above mentioned components are damaged, please call phone numbers listed in warranty.

Note:

- Some flare-up adds a smoky flavor and sears food. Excessive grease fires can cause a potentially hazardous situation and damage the appliance.
- Avoid excessive flare-ups by preheating the appliance for 5 minutes on the high setting to burn off grease from previous cooking.
- Continually monitor cooking food to avoid grease fires and flare-ups.
- Trimming excess fat from meat will reduce grease fires and flare-ups. Cook fatty meat in smaller amounts over indirect heat on a low setting.
- Be sure to follow the instructions in the section titled "Care, Maintenance, and Cleaning".

Care, Maintenance and Cleaning

NOTE TO PREVENT DAMAGE WHICH WILL VOID THE WARRANTY:

- Do not use pots, pans, ovens, ect., on this appliance.
- Do not use this appliance on a campfire or other open fire.
- Never leave the appliance over a lit burner without foodstuffs burning for a long time to avoid overheating. Suggest to have 5 minutes for initial pre-heating period. Otherwise, the appliance will be damaged.
- Use this griddle only on the Coleman® appliance for which it was designed.

GRIDDLE

The griddle can be cleaned immediately after cooking is completed and after turning off the appliance. Wear a barbecue mitt and scrub the griddle with a damp cloth. If the griddle is allowed to cool down, cleaning the appliance

and griddle will be easier if removed from the appliance and cleaned with a mild detergent.

CAUTION

All cleaning and maintenance should be done only when the griddle is cool & with the fuel supply turned off at the cylinder. Disposable propane cylinders should be detached from the griddle during cleaning.

Suggested Cleaning Materials:

- Mild dishwashing liquid detergent
- Hot water
- Wire brush
- Paper clip
- Nylon cleaning pad
- Soft brass-bristled brush
- Putty knife
- Scraper

Component Cleaning:

- **BURNER:** Wire-brush loose corrosion from the burner exterior. Clean clogged gas port holes with an opened paper clip. Replace corroded or damaged burner that would emit excess gas.
- **GRIDDLE:** Clean griddle with mild soap and hot water. Remove stubborn residue with a mild cleanser or scrub brush. **DO NOT** use a commercial oven cleaner.
- **GRIDDLE INTERIOR:** Remove griddle. Scrape side with tools and remove excess grease and cooking residue.
- **Grease tray:** Remove grease and clean the grease tray with mild soap and hot water. **DO NOT** use a commercial oven cleaner.

Seasoning Appliance:

Important: season your appliance every time you use it.

Seasoning helps prolong the life of your appliance, makes the griddle non-stick and helps prevent rust.

- Tools needed for seasoning:
- Metal scraper or metal spatula
- Cooking oil, such as vegetable oil or extra virgin olive oil
- Paper towels
- BBQ stone or steel wool
- Finishing oil such as flaxseed oil

CAUTION

Do NOT use corn oil as it contains a high level of sugar, which can caramelize and burn onto the surface.

First Use

1. Light appliance.
2. Keep burners on and (HIGH) for 15 minutes.
3. Turn appliance off.
4. Allow appliance to cool, but still be slightly warm.
5. Wipe off griddle, inner and outer walls with paper towels until clean.

Note: While drying you may notice the towel may have some discoloration. This is normal.

6. Apply finishing oil onto griddle, inner and outer walls and evenly coat with rolled up paper towels.
7. Repeat this process at least twice.

After Each Use

1. Turn appliance off.
2. While the appliance is still warm, gently scrape off all food residue with a scraper.
3. Wipe down griddle, inner and outer walls with a towel or paper towels.
4. For stubborn food residue:
 - a. Light appliance.
 - b. Apply cooking oil onto griddle.
 - c. Allow oil to “boil” food residue off.
 - d. Repeat steps 1 through 3.
 - e. If necessary, use a BBQ stone and scrub the food residue off.
 - f. Continue with “Seasoning Appliance” instructions.
5. Wipe off griddle, inner and outer walls with paper towels until clean.

Note: While drying you may notice the towel has some discoloration. This is normal.
6. Apply finishing oil onto griddle, inner and outer walls and evenly coat with rolled up paper towels.
7. Light appliance.
8. Keep burners on and (HIGH) for 15 minutes or until finishing oil starts to smoke.
9. Turn appliance off.
10. Repeat steps 6-9 a minimum of 2 additional times.

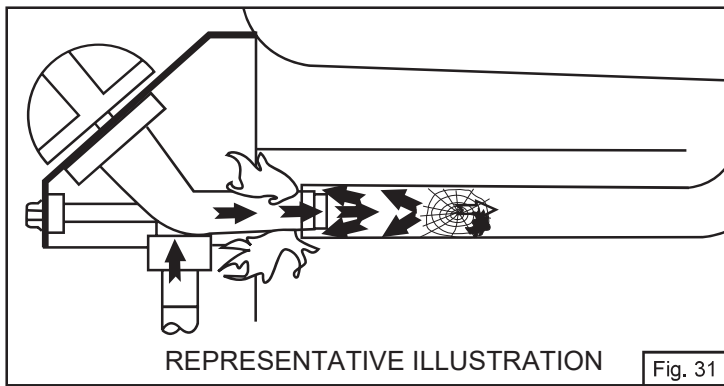
Refurbish the Griddle

1. If appliance is off, light appliance again. Keep burners for 10 minutes. Then turn appliance off.
2. If appliance is on, turn appliance off.
3. While the appliance is still warm, use a scraper or metal spatula to remove as much rust and food residue as you can from the griddle, inner and outer walls.
4. Apply a liberal amount of cooking oil onto the griddle.
5. Using a BBQ stone, scrub the griddle. Apply additional cooking oil as need.
6. Wipe off griddle, inner and outer walls with paper towels.
7. Repeat steps 3-5 until paper towels no longer show any rust.
8. Apply finishing oil onto griddle, inner and outer walls and evenly coat with rolled up paper towels.
9. Light appliance.
10. Keep burners on and (HIGH) for 15 minutes or until finishing oil starts to smoke.
11. Turn appliance off.
12. Repeat steps 7-10 until the surface has a nice dark color.

Cleaning the Venturi

WARNING

Spider's nests or wasp's mud inside the venturi may cause fire at the valve. If a fire occurs, immediately turn off the gas supply at the control valve (see representative illustration in Fig. 31).

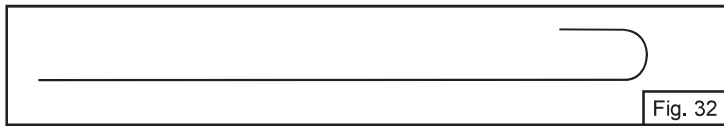


Note:

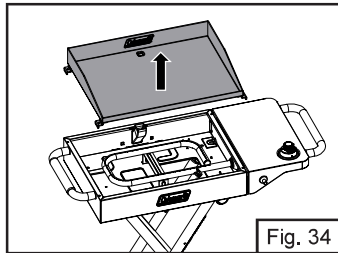
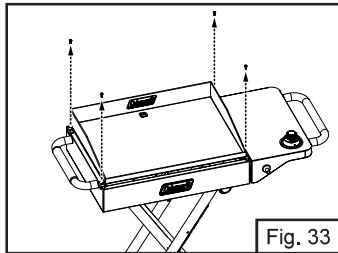
Spiders and small insects can spin webs and build nests inside the venturi tubes. This especially occurs in late summer and fall before frost when spiders are most active. These nests can obstruct gas flow and cause a fire in and around the burner knob. Such a fire can cause operator injury and serious damage to the appliance. To help prevent a blockage and ensure full heat output, clean and inspect the venturi tubes often (once or twice a month). NOTE: Water or air pressure will not normally clear a spider web.

Steps For Cleaning Venturi:

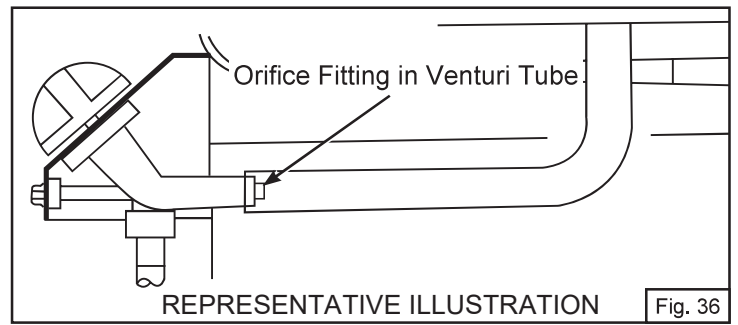
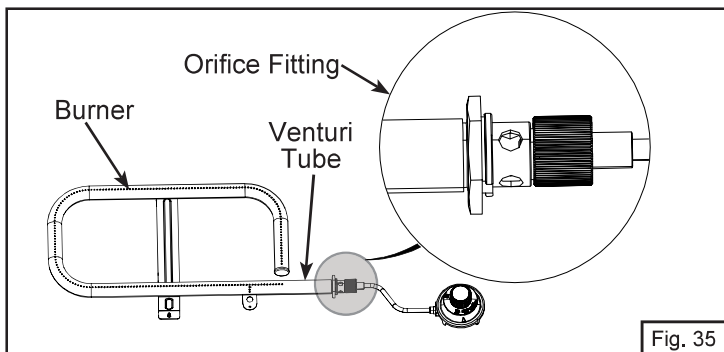
1. To remove the above obstructions, use an accessory flexible venturi brush or bend a small hook on one end of a 20-inch long flexible wire such as the one shown in Fig. 32.



2. Remove the screws and the griddle and set aside. (Fig. 33 and Fig. 34)



3. Look inside lower end of venturi tube for nests, webs or mud. If present, clean as noted in Step 1, Fig. 32.
4. Inspect and clean the burner if needed.
5. Replace the burner and burner clamps, and position the burner in the operating position.
6. Make sure the orifice fittings are inside the venturi tube, then tighten all self tapping screws. (Fig. 35 and Fig. 36)



Moving and Storage

⚠ WARNING

- A collision with the appliance, as with any metal object, could cause injury. Use care when moving a portable gas appliance.
- In the event of rain, snow, hail, sleet, or other forms of precipitation while cooking with oil or grease, cover the cooking vessel immediately and turn off the appliance burners and gas supply. Do not attempt to move the appliance or cooking vessel.
- Do not move the appliance when in use. Allow the cooking vessel to cool to 115°F (45 °C) before moving or storing.

⚠ DANGER

Do not put appliance in storage or travel mode immediately after use. Allow appliance to cool to touch before moving or storing. Failure to do so could result in fire resulting in property damage, personal injury, or death."

Moving the appliance:

- Remove propane cylinder before moving, removing while appliance is lit or hot is forbidden.
- Clean the grease tray before moving the appliance to prevent spills.
- Collapse the appliance before moving.
- Move the appliance slowly. DO NOT run with the appliance behind you; it could hit you from behind causing injury.

After moving the appliance:

- Check all gas connections for leaks that could occur from the movement.
- Check the venturi tubes to be sure they are still over the orifices.

Steps to follow before storing appliance:

- Clean the appliance, including the grease tray.
- Coat the burner lightly with cooking oil to retard rusting.
- For outdoor use only. If the appliance is stored indoors, detach the cylinder outdoors. If left outdoors, remove the cylinder and cover the appliance for protection from the weather. Appliance covers may be purchased from a appliance dealer or manufacturer.

Troubleshooting

Problem: Appliance will not light when the igniter button is pushed or has incomplete burner flame.

Possible Causes and Solutions:

1. Lack of fuel. Check to see that the cylinder has fuel.
2. Make sure the burner is turned on. Allow up to four seconds for gas flow to ignite.
3. If burner lights with match but not igniter, check the ceramic electrode position near the burner, the condition of the igniter wire and its connections. Perform igniter test and replace any damaged parts.
4. Check for spider webs or insect nest in venturi and clean venturi.
5. Check for misalignment of venturi on orifices. Position venturi over orifices.
6. Burner ports, orifices or knob have blockage. Clean the components.
7. Regulator failure; appliance needs to be replaced.
8. Make sure the regulator and cylinder are properly assembled. See the section titled "Installing 1 lb. Propane Cylinders".

Problem: Yellow flame.

Possible Causes and Solutions:

1. Check for spider webs or insect nest in the venturi and clean the venturi.
2. New burner may have residual oil which will burn off.
3. Clean off any food residue, grease or seasoning salts on the burner.
4. The venturi may be misaligned and needs to be lined up over the orifice.

Problem: Flame blows out on low setting or has uneven heat distribution.

Possible Causes and Solutions:

1. Check for spider webs or insect nests in the venturi and clean the venturi.
2. Cold appliance needs to be preheated for 5 minutes on high setting.
3. The venturi may be misaligned and needs to be lined up over the orifices.
4. Cold and windy weather will require you to move the appliance away from the wind.
5. Lack of fuel. Check to see that the cylinder has fuel.

Problem: Appliance too hot.

Possible Causes and Solutions:

1. Excessive flareups which require the maintenance described in the section titled "IN CASE OF GREASE FIRE".
2. A damaged orifice or regulator which requires replacement with factory authorized parts.
3. Buildup of grease inside the appliance will require cleaning and emptying the grease tray.
4. Choose a lower cooking temperature if using excessively high settings.

Problem: Fire at any connection.

Possible Causes and Solutions:

IMMEDIATELY shut off control knob and allow appliance to cool.

1. Gas is leaking from a faulty connection. Tighten connections with an adjustable wrench and replace damaged parts. Perform a leak test on all connections before cooking on the appliance again.

Problem: Flame behind control panel or control knob area.

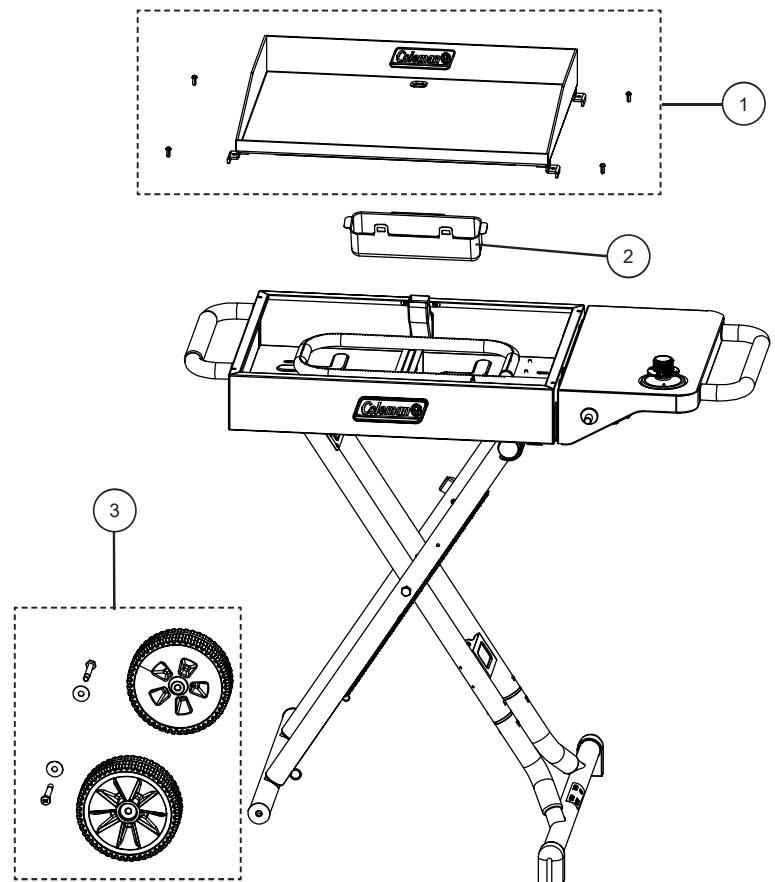
Possible Causes and Solutions:

IMMEDIATELY shut off control knob and allow appliance to cool.

1. Check for spider webs or insect nest in the venturi and clean the venturi.
2. Gas is leaking from a faulty connection. Hand tighten connections and replace damaged parts. Perform a leak test on all connections before cooking on the appliance again.
3. The venturi may be misaligned and needs to be lined up over the orifices.

Replacement Parts List — CM9917 Series

1	2171572	REPLACEMENT GRIDDLE FOR CM9917
2	2171574	REPAIR PART GRIDDLE GREASE TRAY
3	2171573	REPLACEMENT ROAD TRIP WHEEL



Limited Three Year Warranty

The Coleman Company, Inc. ("Coleman") warrants that for a period of three (3) years from the date of original retail purchase, this product will be free from defects in material and workmanship. Coleman, at its option, will repair or replace this product or any component of the product found to be defective during the warranty period. Replacement will be made with a new or remanufactured product or component. If the product is no longer available, replacement may be made with a similar product of equal or greater value. This is your exclusive warranty.

This warranty is valid for the original retail purchaser from the date of initial retail purchase and is not transferable. Keep the original sales receipt. Proof of purchase is required to obtain warranty performance. Coleman dealers, service centers, or retail stores selling Coleman® products do not have the right to alter, modify or in any way change the terms and conditions of this warranty.

What This Warranty Does Not Cover

This warranty does not cover normal wear of parts, parts that are not genuine Coleman® parts, or damage resulting from any of the following: negligent use or misuse of the product; commercial use of the product; use contrary to the operating instructions; disassembly, repair or alteration by anyone other than Coleman or an authorized service center. Further, the warranty does not cover Acts of God, such as fire, flood, hurricanes and tornadoes. Warranty void if damage to the product results from the use of a part other than a genuine Coleman® part.

COLEMAN SHALL NOT BE LIABLE FOR DEFECTS THAT ARE CAUSED BY THE USE OF UNAUTHORIZED PARTS OR SERVICE. COLEMAN SHALL NOT BE LIABLE FOR ANY INCIDENTAL OR CONSEQUENTIAL DAMAGES CAUSED BY THE BREACH OF ANY EXPRESS OR IMPLIED WARRANTY OR CONDITIONS. EXCEPT TO THE EXTENT PROHIBITED BY APPLICABLE LAW, ANY IMPLIED WARRANTY OF MERCHANTABILITY OR FITNESS FOR A PARTICULAR PURPOSE IS LIMITED IN DURATION TO THE DURATION OF THE ABOVE WARRANTY OR CONDITIONS. SOME STATES, PROVINCES, OR JURISDICTIONS DO NOT ALLOW THE EXCLUSION OR LIMITATION OF INCIDENTAL OR CONSEQUENTIAL DAMAGES OR LIMITATIONS ON HOW LONG AN IMPLIED WARRANTY LASTS, SO THE ABOVE LIMITATIONS OR EXCLUSION MAY NOT APPLY TO YOU. THIS WARRANTY GIVES YOU SPECIFIC LEGAL RIGHTS, AND YOU MAY ALSO HAVE OTHER RIGHTS THAT VARY FROM STATE TO STATE OR PROVINCE TO PROVINCE.

How to Obtain Warranty Service

Your product must be under warranty in order to obtain warranty service. If your product is defective and is within your warranty period, contact us at 1-800-835-3278 (TDD 1-316-832-8707) in order to receive a return authorization. Do not return product to Coleman without authorization. You will be directed to attach a tag to the product that includes your name, address, daytime telephone number and description of the problem. Include a copy of the original sales receipt. **Carefully package the product and send insured by UPS, FedEx Ground or Parcel Post with shipping and insurance prepaid to:**

For products purchased in the United States:

The Coleman Company, Inc.
3600 North Hydraulic
Wichita, KS 67219 U.S.A.

For products purchased in Canada:

Newell Brands Canada ULC
20B Hereford Street
Brampton, ON L6Y 0M1

The cost of transporting the product to Coleman for warranty service is the responsibility of the purchaser.

Do not mail products with fuel in tanks, or with disposable propane cylinders.

DO NOT RETURN THIS PRODUCT TO THE PLACE OF PURCHASE.

If you have any questions regarding this warranty please call 1-800-835-3278 or TDD 1-316-832-8707 in the United States or 1-800-387-6161 in Canada.

For Warranty, Service and Parts:

Locate your model number and serial number on the label found on the griddle.



Appareil à gaz

Manuel d'utilisation, d'entretien et d'assemblage

Avec instructions d'allumage

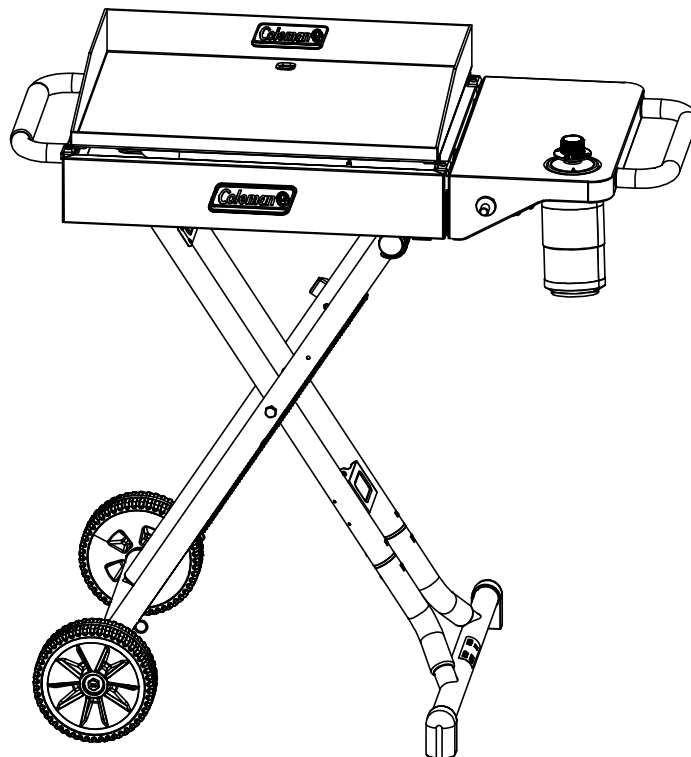
CM9917

INSTALLATEUR:

Laissez ces instructions à l'utilisateur.

CONSOMMATEUR/UTILISATEUR:

Lisez toutes les instructions et gardez-les en lieu sûr pour référence ultérieure.



IMPORTANT

Lisez attentivement ce manuel avant d'assembler, d'utiliser ou d'entretenir cet appareil. Conservez ce manuel pour référence ultérieure. Si vous avez des questions sur l'assemblage, le fonctionnement, l'entretien ou la réparation de cet appareil, veuillez appeler Coleman au 1-800-835-3278 ou à l'ATS : 1-316-832-8707. Au Canada, appelez le 1-800-387-6161.

REMARQUE:

La bouteille de propane n'est pas incluse.

Uniquement destiné à l'air libre

L'appareil n'est pas destiné à un usage commercial



Table des matières

Table des matières	2
Caractéristiques techniques	2
Généralités de sécurité	2
Généralités d'installation	3
Pétrole liquéfié portable Bouteilles d'appareil à gaz	4
Caractéristiques de l'appareil	4
Assembler l'appareil	5
Mise en position debout ou repliée du système de piètement	6
Mise en place d'une bouteille de propane de 465 g	7
Brûleur et orifice	7
Détection des fuites - Bouteilles de propane jetables	7
Détection des fuites	8
Élimination des fuites	8
Liste de vérification de mise en marche	8
Instructions d'allumage	8
Allumage des brûleurs	8
Arrêt de l'appareil	9
Généralités d'emploi et flammes correctes	9
Conseils pratiques de grillage	10
En cas de feu de friture	10
Nettoyage, soins et entretien	11
Plaque chauffante pour assaisonnement	11
Nettoyage du diffuseur	12
Déplacement et remisage	12
Dépannage	13
Liste des pièces de rechange - Série CM 9917	13
Garantie	14

Caractéristiques techniques

Valeur nominale d'entrée : 1 brûleur @ 14 000 BTU/h
Catégorie: Propane à pression régularisée
Alimentation: Bouteilles de propane jetables de 454 g/16 oz
Régulateur: Un régulateur Illida 666 doit être utilisé

Généralités de sécurité

Ce manuel d'instructions contient des informations importantes nécessaires à l'assemblage correct et à l'utilisation sûre de l'appareil. Des généralités de sécurité sont présentées dans les premières pages puis un peu partout dans le manuel. Faites tout particulièrement attention quand vous voyez ces symboles:

«**⚠ DANGER**», «**⚠ AVERTISSEMENT**», «**⚠ ATTENTION**».

Gardez ce manuel pour le consulter au besoin et pour apprendre aux nouveaux utilisateurs à se servir de l'appareil. Le manuel devrait être compulsé de concert avec les étiquettes apposées sur le produit.

Lisez et suivez tous les avertissements et instructions avant d'assembler et d'utiliser l'appareil. Respectez tous les avertissements et toutes les instructions lorsque vous utilisez l'appareil.

Les symboles illustrés ci-après sont régulièrement employés dans ce manuel. Tenez compte de ces précautions impératives lors de l'utilisation de tout appareil mécanique ou à carburant.

⚠ DANGER

«DANGER» indique une situation dangereuse qui, si elle n'est pas contournée, entraînera la mort ou des blessures graves.

⚠ AVERTISSEMENT

«AVERTISSEMENT» signale une situation potentiellement dangereuse qui, si elle n'est pas évitée, peut entraîner la mort ou des blessures graves.

⚠ ATTENTION

«ATTENTION» dénote un danger potentiel qui, s'il n'est pas contourné, risque d'entraîner des blessures corporelles allant de peu graves à moyennes ou bien des dommages matériels.

⚠ DANGER

Que faire si vous sentez le gaz:

1. Couper l'alimentation en gaz à l'appareil.
2. Éteindre toute flamme nue.
3. Si l'odeur persiste, éloignez-vous de l'appareil et appelez immédiatement le service d'incendie.

Le non-respect de ces instructions peut entraîner un feu ou une explosion pouvant causer des dommages matériels, des blessures, voire la mort.

⚠ AVERTISSEMENT

1. Ne faites jamais fonctionner cet appareil sans surveillance.
2. Ne faites jamais fonctionner cet appareil à moins de 3,0 m (10 pi) d'une structure, d'un matériau combustible ou d'une autre bouteille de gaz.
3. Ne faites jamais fonctionner cet appareil à moins de 7,5 m (25 pi) d'un liquide inflammable.
4. Si un feu peut survenir, éloignez-vous de l'appareil et appelez immédiatement le service d'incendie. N'essayez pas d'éteindre un feu d'huile ou de graisse avec de l'eau.

Le non-respect de ces instructions peut entraîner un feu, une explosion ou un risque de brûlure pouvant causer des dommages matériels, des blessures, voire la mort.

⚠ AVERTISSEMENT

1. Ne pas entreposer ni utiliser d'essence ni d'autres vapeurs ou liquides inflammables à proximité de cet appareil ou de tout autre appareil.
2. Aucune bouteille de GPL non reliée pour l'utilisation ne doit pas être remise près de cet appareil ou de tout autre appareil.
3. Ne déplacez pas l'appareil lorsqu'il est utilisé. Laissez le récipient de cuisson refroidir à 45 °C (115 °F) avant de le déplacer ou de l'entreposer.
4. Cet appareil n'est pas conçu pour et ne doit jamais être utilisé comme un appareil de chauffage.
5. Cet appareil sera chaud pendant et après son utilisation. Utilisez des gants ou des gants de cuisine isolants pour vous protéger des surfaces chaudes ou des éclaboussures de liquides de cuisson.

PROPOSITION 65 DE LA CALIFORNIE:

⚠ AVERTISSEMENT: Ce combustible et ses sous-produits, ou la combustion de ce combustible, contiennent du monoxyde de carbone, identifiés de l'État de Californie comme pouvant causer le cancer et des malformations congénitales ou autres effets nocifs sur la reproduction. Pour de plus amples informations, prière de consulter www.P65Warnings.ca.gov

⚠ DANGER

- NE CONVIENT QU'À L' AIR LIBRE. Ne JAMAIS utiliser le gril en lieu clos: en cas de fuite le gaz s'accumulerait, causerait une explosion ou l'accumulation de monoxyde de carbone et entraînerait des blessures, voire la mort. NE PAS l'utiliser dans garages, passages recouverts, remises ou autres espaces clos.
- NE DOIT PAS ÊTRE UTILISÉ PAR DES ENFANTS.
- Ignorer ces instructions peut causer incendie dangereux ou explosion entraînant blessures graves voire mortelles ou dégâts matériels.

⚠ AVERTISSEMENT

- NE déplacez PAS le gril lorsqu'il est allumé.
- Gardez l'espace contigu à l'appareil de cuisson à gaz de plein air exempt de matériaux combustibles, d'essence ou d'autres vapeurs ou liquides inflammables.

⚠ AVERTISSEMENT

- Ne posez JAMAIS plus de 9,0 kg sur les tablettes latérales. Ne vous appuyez PAS contre le gril.
- N'utilisez NI briquettes (charbon) NI essence à briquet dans un gril à gaz.
- Un gril qui sert est chaud; pour ne pas vous brûler, ne touchez à AUCUNE surface chaude. Écartez enfants et animaux du gril chaud.
- Ne laissez JAMAIS le gril sans surveillance quand il fonctionne.
- Il vous incombe d'assembler, de disposer, de faire fonctionner et d'entretenir convenablement votre gril à gaz.
- Ne vous servez PAS du gril à gaz à l'intérieur.
- Dans certaines circonstances, l'odeur distinctive qui est ajoutée au propane s'estompe. D'autres odeurs fortes peuvent aussi la masquer. Les rhumes, les allergies, les affections sinusiennes, l'usage de tabac, d'alcool ou de médicaments sont tous des facteurs qui peuvent également empêcher de détecter l'odeur du propane.

⚠ AVERTISSEMENT

- Si l'appareil de cuisson au gaz extérieur n'est pas utilisé, couper le gaz à la bonbonne d'alimentation.
- Le remisage d'un appareil de cuisson au gaz extérieur n'est possible à l'intérieur que si les bonbonnes de gaz sont débranchées et retirées de l'appareil.
- Les bonbonnes doivent être remises à l'extérieur et hors de la portée des enfants; elles ne doivent pas être entreposées dans un édifice, un garage ou une zone fermée.

Généralités d'installation

- L'installation doit se conformer aux codes municipaux ou, faute de codes, respecter la norme ANSI Z223.1/NFPA 54 intitulée National Fuel Gas Code, la norme CSA B149.1 intitulée Codes d'installation au gaz naturel et au propane, la norme CSA B149.2 intitulée Propane Storage and Handling Code, si applicables.
- Pour vérifier les codes municipaux, consultez votre fournisseur de gaz ou le fournisseur de gaz naturel répertorié dans les Pages jaunes afin d'obtenir les méthodes d'installation préconisées et la réglementation.

⚠ AVERTISSEMENT

L'installation de cet appareil dans ou sur un véhicule de plaisance ou une embarcation est interdite.

Observez ces règles de sécurité avant chaque utilisation:

1. Un espace libre d'au moins 61 cm (24 pouces) sur la gauche, la droite et derrière le gril doit être maintenu entre le gril et tout matériau combustible tel que les parois en bois d'un édifice.
2. Ne placez jamais le gril sous un matériau combustible ou sous un auvent queue de vache non protégé.
3. N'entrez pas l'écoulement de l'air comburant et de ventilation.
4. Veillez à ce que le gril soit d'aplomb et pas directement face au vent.

⚠ AVERTISSEMENT

Un réservoir de propane liquide, non raccordé à cet appareil à gaz ne doit pas être entreposé à proximité de celui-ci ou de tout autre appareil.

Les connexions doivent être conformes aux prescriptions municipales et incombent uniquement à la personne qui exécute le travail.

⚠ AVERTISSEMENT

- **N'essayez PAS d'ajuster le régulateur de pression, une situation dangereuse pourrait en résulter et entraîner des blessures corporelles ou des dégâts matériels.**

Pétrole liquéfié portable Bouteilles d'appareil à gaz

Extrêmement inflammable, le propane (gaz de pétrole liquéfiés) se liquéfie lorsque mis en réserve sous haute pression dans bonbonnes, ou autres, et se vaporise lorsque libéré. Plus lourd que l'air, le propane s'accumule au ras du sol. Il est important qu'il n'y ait pas de raccords non étanches sur votre appareil à gaz qui pourraient provoquer un feu ou une explosion (voir la section intitulée « TEST DE FUITE »).

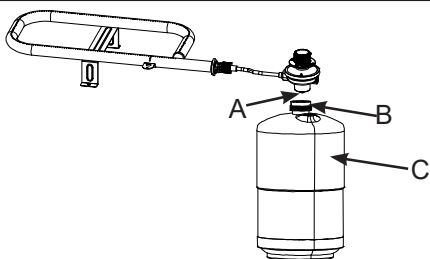
Les appareils portatifs à gaz de pétrole liquéfié (GPL) nécessitent un système d'alimentation en combustible composé d'une d'un régulateur [A] d'une bouteille d'alimentation en gaz GPL [C] (fig. 1). L'illustration de la fig. 1 n'a qu'un but de description.

Normes applicables aux bouteilles

- Toutes les bouteilles de GPL utilisées avec cet appareil doivent être fabriquées et porter les marquages voulus, conformément aux exigences du Ministère des Transports des États-Unis (DOT) pour bouteilles de GPL ou à la norme nationale CAN/CSA-B339 de Transports Canada relative aux bouteilles, sphères et tuyaux pour le transport des marchandises dangereuses; et commission, si applicable; et un dispositif de connexion compatible avec le raccord de l'appareil de cuisson de plein air.
- Consultez les étiquettes apposées sur les bouteilles de GPL.

⚠ AVERTISSEMENT

Votre nouvel appareil de barbecue est équipé d'un régulateur CGA-600 [A]. N'essayez PAS de raccorder ce régulateur à une autre bouteille de GPL jetable qui n'est pas équipée d'un raccord CGA-600 [B]. Cet appareil ne peut être utilisé qu'avec le régulateur de pression fourni avec cette unité, ou avec les régulateurs de pression spécifiés par Coleman pour être utilisés avec cette unité. Les régulateurs de remplacement doivent être uniquement ceux spécifiés par Coleman (Fig. 1).



⚠ DANGER

- Ne stockez JAMAIS une bouteille d'alimentation en gaz GPL de recharge sous le corps de l'appareil ou à proximité d'un appareil produisant de la chaleur (Fig. 2).

Le non-respect de cette consigne peut résulter en une explosion ou un incendie causant des blessures graves, voire mortelles.

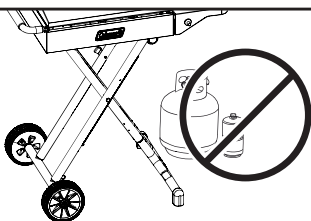
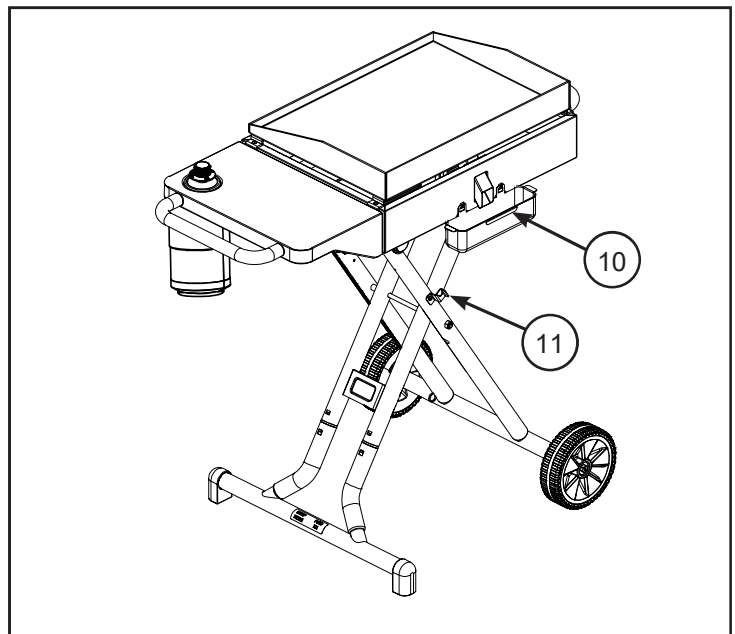
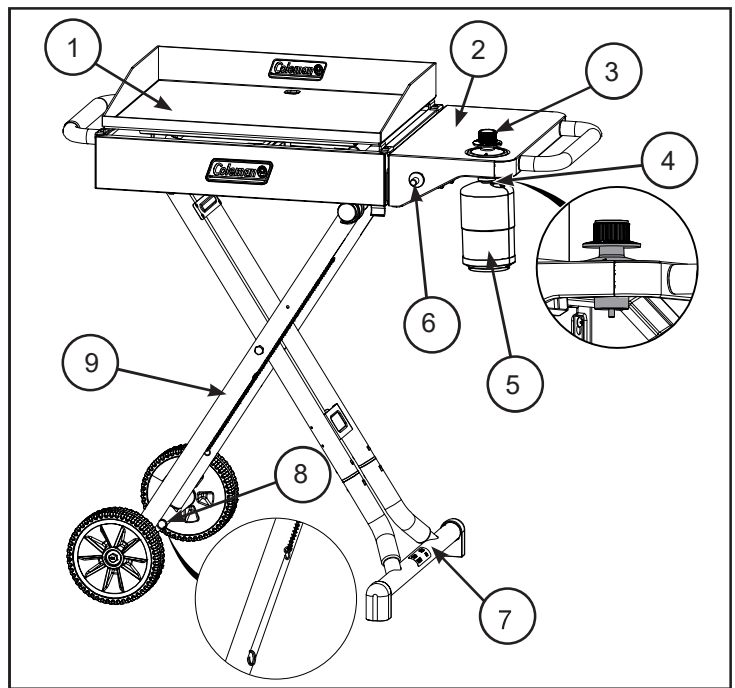


SCHÉMA REPRÉSENTATIF

Caractéristiques de l'appareil



1. Plaque chauffante
2. Table latérale
3. Bouton de commande
4. Régulateur de pression
5. Bouteille jetable (non incluse)
6. Outon d'allumage électronique
7. Poignée de traction
8. Rallonge d'allumette (se range sur le piètement)
9. Piètement avec roues
10. Bac à graisse
11. Verrou de patte

Assembler l'appareil

IMPORTANT: Enlevez tout le matériel d'emballage avant l'assemblage ou l'utilisation.

Pendant l'assemblage, l'appareil doit reposer sur un tapis ou un carton.

1. Vérifiez et retirez tous les composants de l'emballage (Fig. 3).
2. Voir l'emballage pour les pièces et le matériel inclus avec votre appareil (Fig. 4).

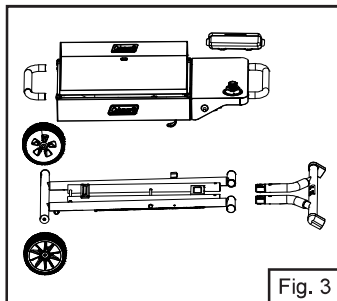


Fig. 3

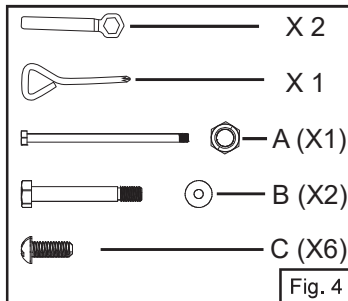


Fig. 4

3. Retournez l'appareil et posez-le sur une surface souple.
4. Insérez la poignée de tirage dans le pied droit (Fig. 5A).
5. Faites glisser la poignée de tirage dans les pieds comme indiqué ci-dessous. Continuez à la faire glisser dans le pied jusqu'à ce qu'elle se verrouille en place (étape b de la Fig. 5B).

NOTE : Veuillez vous référer à la Fig. 5A et à la Fig. 5B pour l'orientation correcte de la poignée de remorquage.

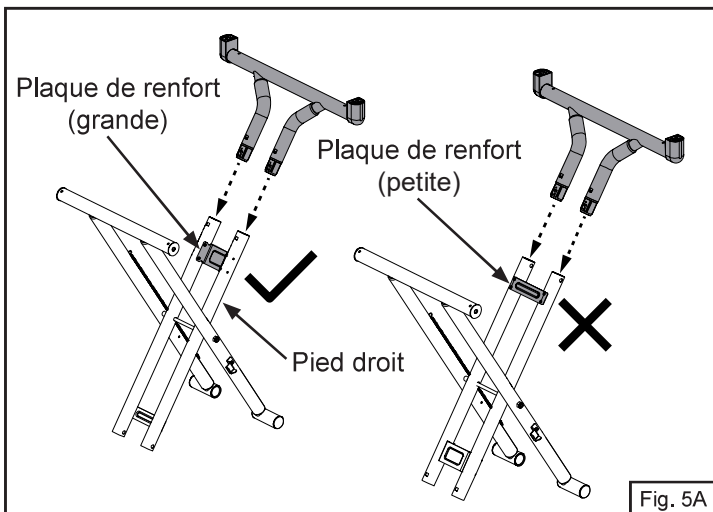


Fig. 5A

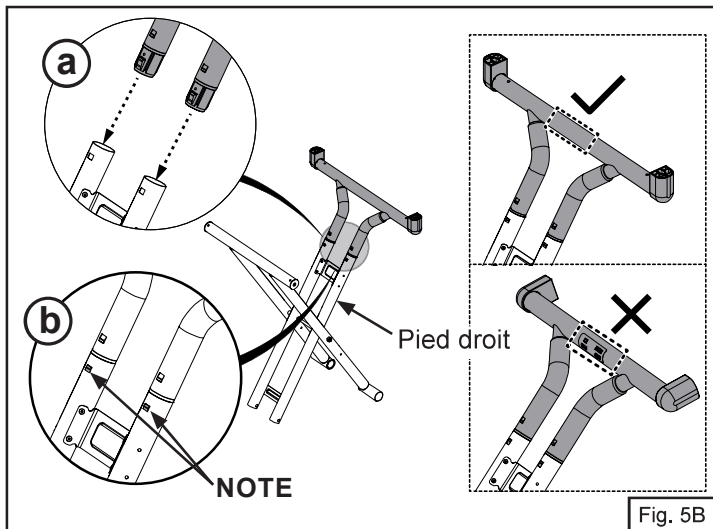


Fig. 5B

6. Dépliez les pieds et placez les extrémités du pied gauche dans les pattes de fixation du pied (étape a de la Fig. 6). Fixez le pied droit à la base de l'appareil avec le boulon A (étape b de la Fig. 6).

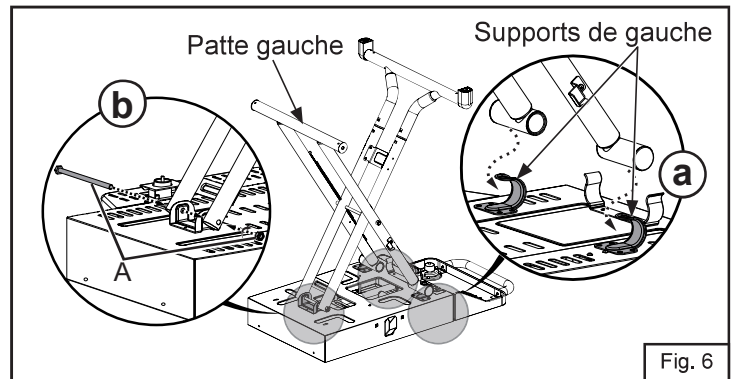


Fig. 6

7. Utilisez la clé pour fixer chaque roue à l'essieu en utilisant un boulon et une rondelle (Fig. 7).

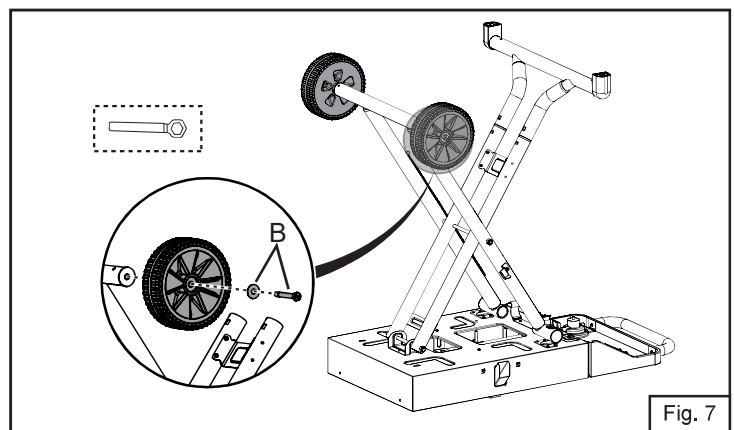


Fig. 7

8. Retournez l'appareil et vérifiez que la poignée de remorquage est correctement installée.

NOTE : Il est correct de voir le texte d'avertissement tourné vers le haut (Fig. 8A). Sinon, c'est incorrect (Fig. 8B).

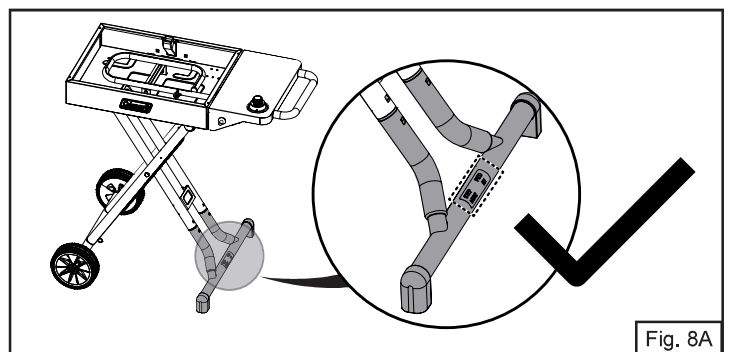


Fig. 8A

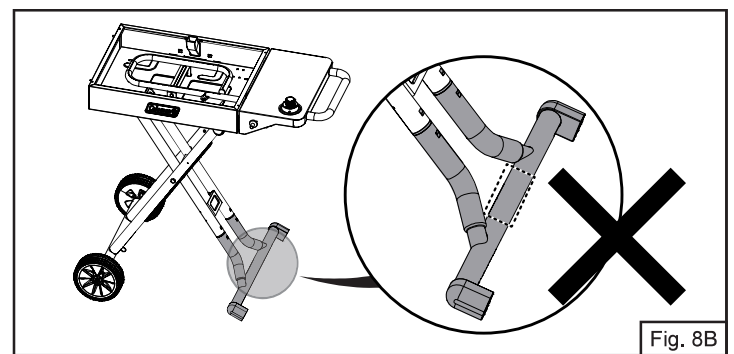


Fig. 8B

9. Fixez solidement la poignée avec les vis (Fig. 9).

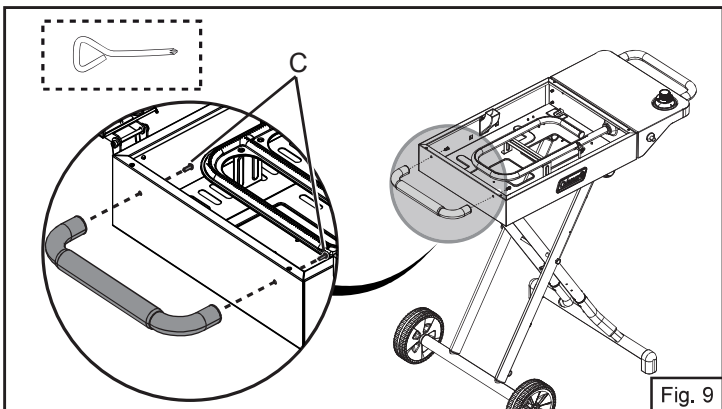


Fig. 9

10. Placez la plaque chauffante face vers le haut sur l'appareil (Fig. 10).

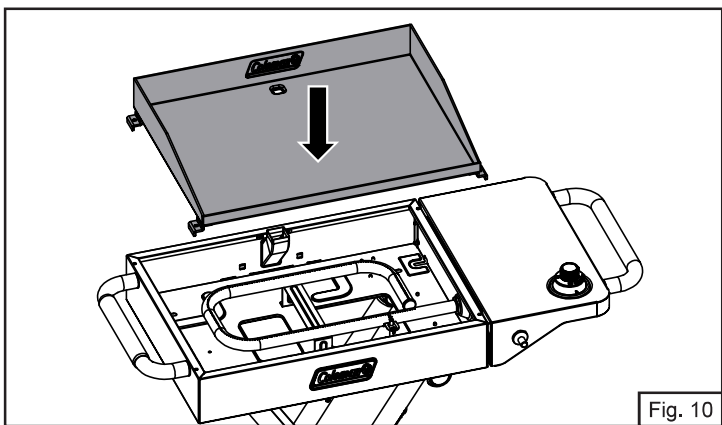


Fig. 10

11. Tournez les vis dans le sens horaire pour bien fixer la plaque chauffante (Fig. 11).

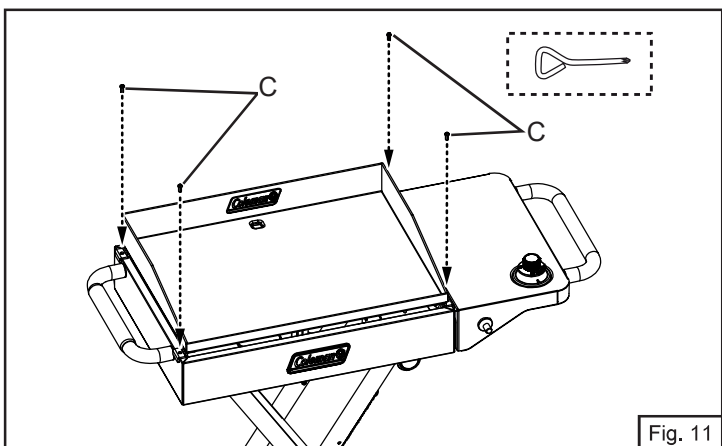


Fig. 11

12. Placez le bac à graisse sous la tablette latérale (Fig. 12).

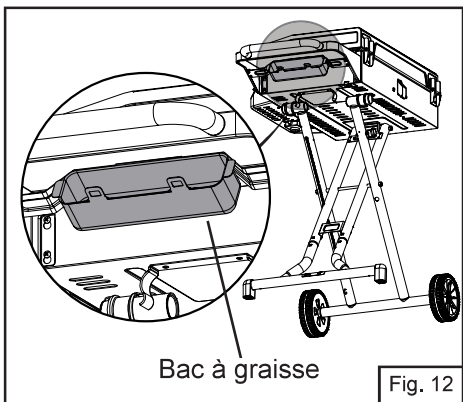


Fig. 12

Mise en position debout ou repliée du système de piètement

Comment replier le système de piètement :

1. Placez un pied sur la poignée de tirage, saisissez la poignée de transport et soulevez-le vers vous (fig. 13A). Les pieds sont maintenant déverrouillés des supports en forme de crochet rouge sous l'appareil (fig. 13B). Laissez l'appareil s'abaisser (fig. 13C). Les roues vont rouler loin de vous. Il est maintenant en position pliée ou repliée. Donnez une légère poussée à la poignée de transport pour que les pieds restent bien fixés. Vous pouvez maintenant saisir la poignée de tirage et faire reposer l'appareil sur son extrémité.

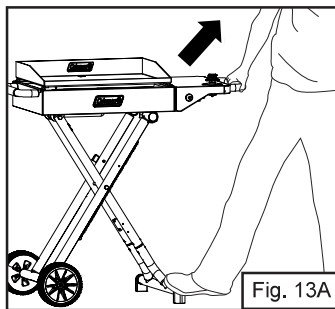


Fig. 13A

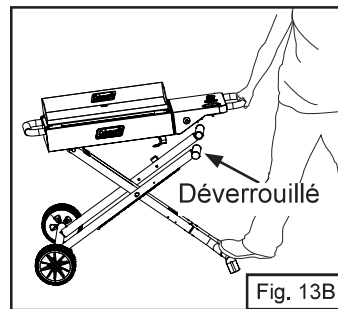


Fig. 13B

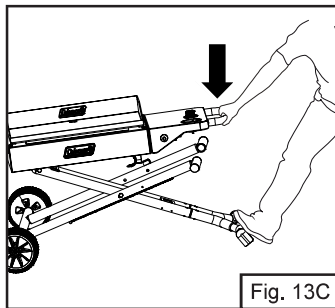


Fig. 13C

2. Appuyez fermement sur l'appareil vers le bas jusqu'à ce que les pieds se verrouillent dans le clip (Fig. 14).

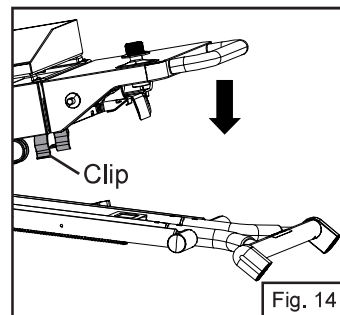


Fig. 14

3. Faites tourner l'élément de verrouillage du pied dans le sens horaire dans la fente pour bien fixer les pieds (Fig. 15).

4. Une fois les pieds verrouillés en position, retournez l'appareil de manière à ce que la plaque chauffante (ou le couvercle) soit à nouveau orienté vers le haut. L'appareil peut maintenant être facilement déplacé vers n'importe quel endroit de votre site de camping ou de votre jardin en saisissant la poignée de tirage (Fig. 16).

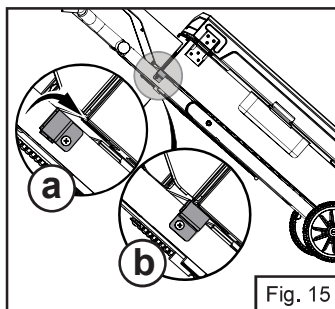


Fig. 15

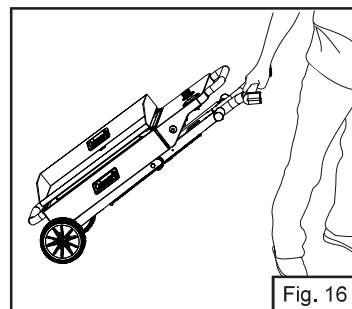


Fig. 16

Comment relever le système de piètement :

1. Faire tourner le verrou de pattes en sens antihoraire pour libérer les pattes (Fig. 17).
2. Ouvrez l'appareil à partir de la position repliée. Placez un pied sur la poignée de tirage, saisissez la poignée de transport et soulevez-le vers vous (Fig. 18A). Continuez à tirer vers le haut jusqu'à ce que le support de l'appareil soit complètement déployé (Fig. 18B).
3. Verrouillez le dessus de l'appareil dans les crochets de pied comme indiqué (Fig. 18C).

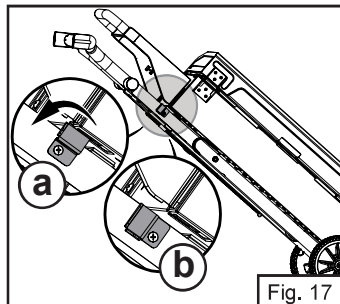


Fig. 17

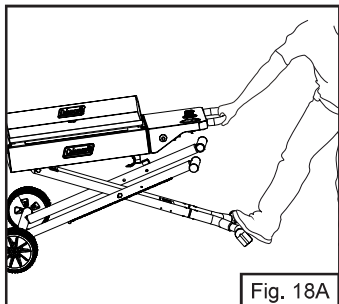


Fig. 18A

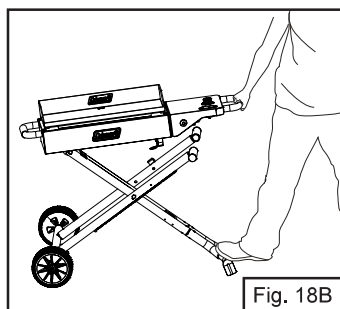


Fig. 18B

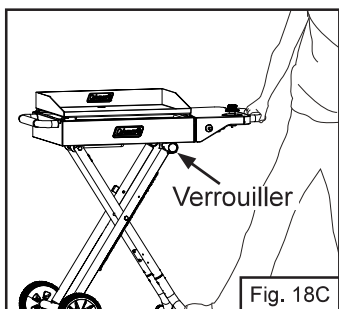


Fig. 18C

Mise en place d'une bouteille de propane de 465 g

REMARQUE: Votre appareil de la série CM9917 est réglé en usine pour utiliser une bouteille de propane jetable de 450 g (1 lb).

⚠ AVERTISSEMENT

Seules les bouteilles marquées «Propane» doivent être utilisées.

⚠ AVERTISSEMENT

Cette opération DOIT uniquement être accomplie EN PLEIN AIR! Lisez et observez le mode d'emploi donné sur la bouteille.

⚠ DANGER

- Ne remisez JAMAIS de bouteilles de recharge de propane sous le grill, dans la carrosserie du grill ou bien dans l'espace contigu à tout appareil dont se dégage de la chaleur.

Le non-respect de cette consigne peut résulter en une explosion ou un incendie causant des blessures graves, voire mortelles.

⚠ ATTENTION

Serrez uniquement à la main, n'utilisez JAMAIS d'outils.

1. Avant de fixer la bonbonne de propane, assurez-vous que les deux boutons de commande sont bien fermés (Fig. 19).

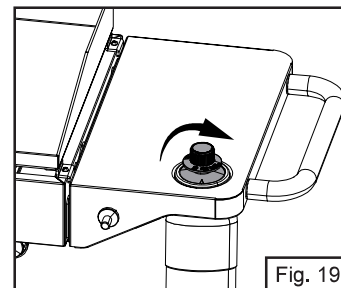


Fig. 19

2. Retirez le bouchon de plastique de la bouteille de propane et vissez le régulateur à la bouteille en le serrant à la main (Fig. 20).

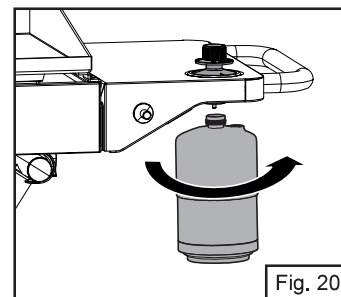


Fig. 20

Brûleur et orifice

1. Il est important de bien placer le brûleur en fonction de l'orifice. Pour assurer que le tube de brûleur est bien positionné, servez-vous d'un tournevis pour retirer le panneau de commande. Le tube de brûleur devrait se trouver par-dessus le raccord de l'orifice. Voir la figure 21 (panneau de contrôle non montré).

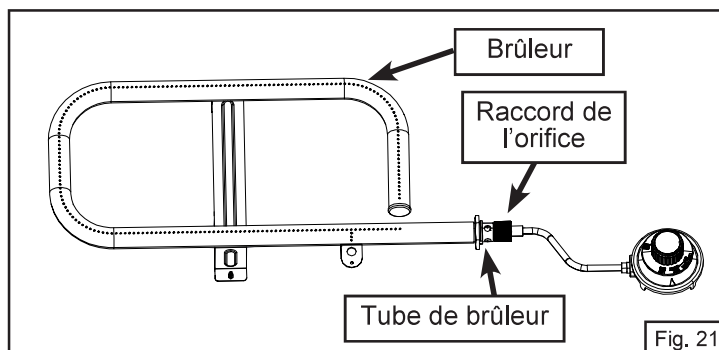


Fig. 21

2. Examinez les tubes du brûleur/diffuseur et enlevez insectes, ou autres, s'il y a lieu. Un tube bouché peut causer un feu sous l'appareil. (voir la section intitulée « nettoyer le pavillon d'aspiration »)

Détection des fuites - Bouteilles de propane jetables

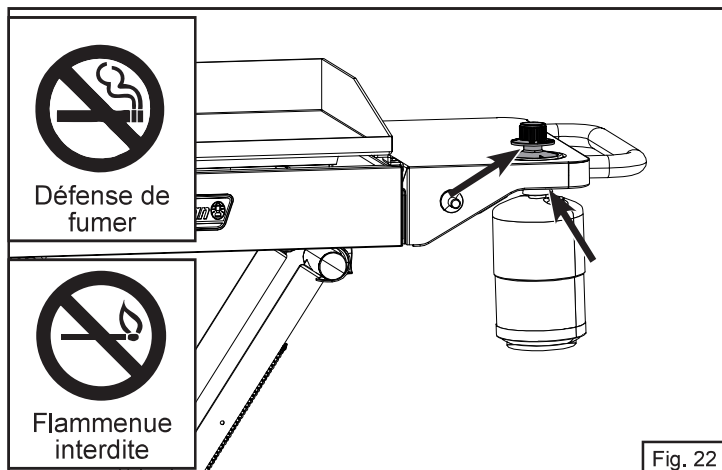
⚠ DANGER

Pour éviter tout risque d'incendie ou d'explosion

- NE PAS FUMER. NE PAS EMPLOYER de source d'allumage à proximité du test et formellement en interdire la présence.
- N'effectuer le test qu'à l'air libre.
- NE JAMAIS rechercher les fuites avec une allumette, une chandelle ou une flamme.

Détection des fuites

1. Préparez une solution savonneuse moitié détergent liquide doux pour vaisselle et moitié eau.
2. Fermez le brûleur à l'aide du boutons de commande.
3. Appliquez la solution savonneuse aux raccords indiqués par les flèches. (Fig. 22) S'il se produit des bulles à ces endroits, il y a une fuite.



Élimination des fuites

Si vous détectez une fuite:

1. Arrêtez la fuite en serrant le joint ou bien en remplaçant la pièce défectueuse par une pièce de rechange authentique que recommande Coleman. N'essayez PAS de réparer la bouteille si vous l'endommagez – il FAUT la remplacer.
2. Si vous ne parvenez pas à arrêter une fuite, retirez la bouteille de l'appareil. N'utilisez PAS l'appareil avant d'avoir corrigé la fuite.

Quand rechercher les fuites

1. Effectuez la détection des fuites à chaque fois que vous branchez une bouteille d'alimentation en gaz au régulateur. Recherchez également les fuites lorsque toute pièce du système d'approvisionnement est remplacée.

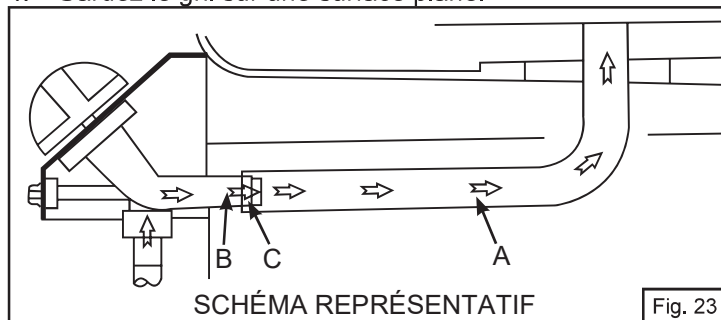
Liste de vérification de mise en marche

⚠ AVERTISSEMENT

Si vous ne respectez pas ces mesures de sécurité avant chaque utilisation de l'appareil, vous risquez de provoquer un feu qui pourrait être dangereux pour vous, votre appareil ou vos biens matériels. Il est particulièrement important de respecter ces étapes après que l'appareil ait été entreposé, déplacé ou nettoyé.

1. Vérifiez souvent le diffuseur des brûleurs, un nid d'insectes pourrait les boucher. Consultez «Nettoyage du diffuseur» sous la rubrique «Nettoyage, soins et entretien», ainsi que la section «Dépannage».
2. Assurez-vous que le tube du brûleur [A] est correctement positionné sur la sortie du régulateur [B]. L'orifice [C] doit être à l'intérieur du diffuseur. (Fig. 23)

3. N'employez que le gaz précisé.
4. Gardez le grill sur une surface plane.



⚠ AVERTISSEMENT

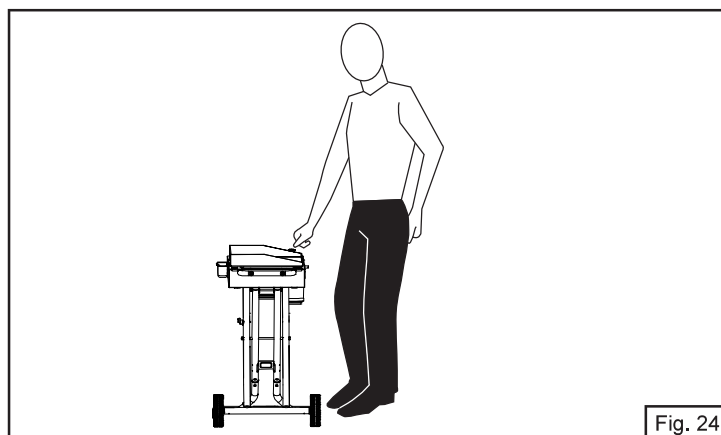
NE PAS ajouter de charbon ou de liquide d'allumage!

Instructions d'allumage

⚠ AVERTISSEMENT

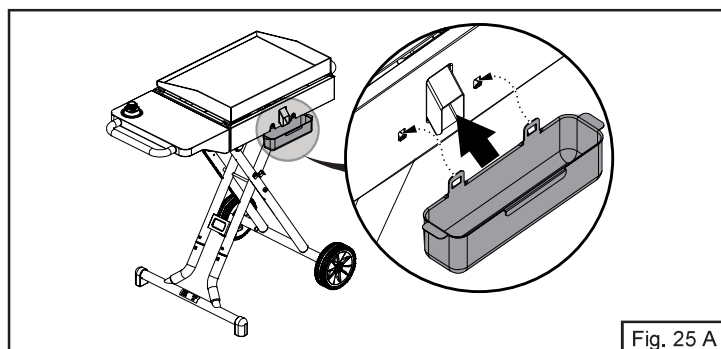
LES RÈGLES SUIVANTES DOIVENT TOUJOURS ÊTRE SUIVIES DANS L'ORDRE DONNÉ (Fig. 24):

1. Lisez toutes les instructions avant l'allumage.
2. Si l'ignition ne se produit pas dans les 5 secondes, éteignez la ou les commandes de brûleur, attendez 5 minutes et répétez la procédure d'allumage.
3. Vérifiez que les boutons de commande des brûleurs sont tournés sur « ARRÊT » (OFF).
4. NE vous tenez PAS debout avec la tête ou les bras au-dessus de l'appareil



Allumage des brûleurs

Veuillez installer le bac à graisse avant l'allumage de l'appareil (Fig. 25 A).



Note : Lorsque le bac à graisse est presque plein, il faut le vider

(Fig. 25 B). Faites attention à l'huile et au plateau brûlants. Utilisez des outils ou des gants de protection thermique pour retirer, nettoyer l'huile puis l'installer correctement.

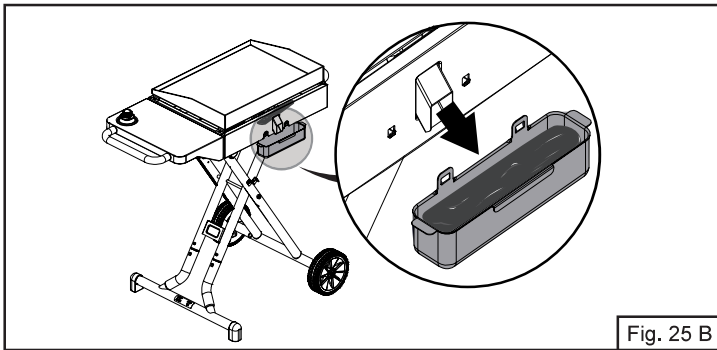


Fig. 25 B

Allumage électronique INSTASTART™

1. Appuyez et tournez le bouton de commande à 90 degrés dans le sens anti-horaire pour ouvrir, puis appuyez à répétition sur le bouton d'allumage jusqu'à ce que le brûleur s'allume. (Fig. 26)
NOTE : Si l'igniteur ne parvient pas à allumer l'appareil, utilisez une allumette pour allumer le brûleur. Voir les instructions relatives aux allumettes. Si l'appareil est mouillé, l'igniteur peut ne pas faire d'étincelle.
2. Réglez la flamme avec le boutons de commande (Fig. 27).

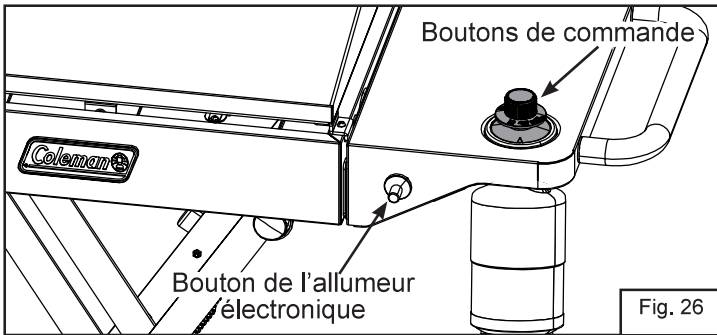


Fig. 26

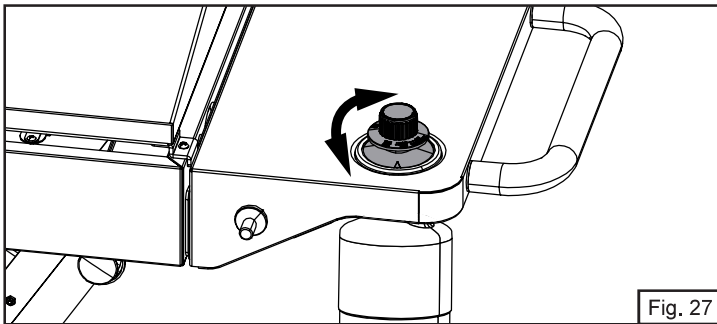


Fig. 27

Allumage avec une allumette

1. Frottez et placez l'allumette longue en bois brûlante (ou utilisez la rallonge d'allumette ou un briquet à butane avec rallonge) dans les espaces de l'appareil près des orifices du brûleur (Fig. 28).
2. Appuyez et tournez le bouton de commande à 90 degrés dans le sens anti-horaire pour ouvrir le brûleur.
3. Répétez les étapes de 1 à 2 pour allumer le deuxième brûleur.

⚠ ATTENTION

Utilisez une LONGUE allumette en bois ou un briquet à butane avec une rallonge. Si une allumette ou un briquet à longue portée n'est pas accessible, utilisez la rallonge pour allumettes (à ranger sur le pied). Insérez une allumette dans la porte allumette de la rallonge, allumez-la et placez-la près du BRÛLEUR en train d'être allumé.

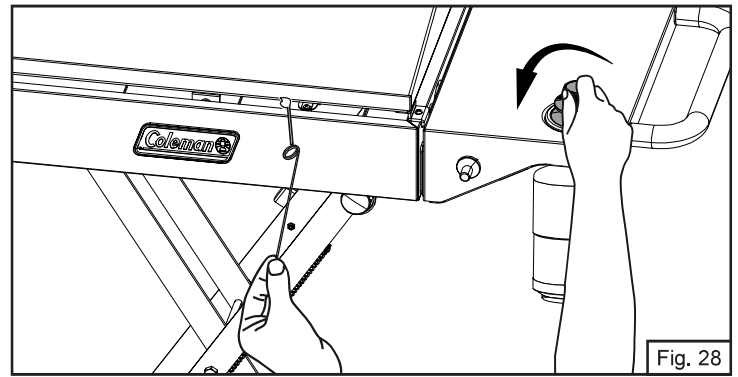


Fig. 28

Arrêt de l'appareil

⚠ ATTENTION

Ne touchez PAS aux surfaces chaudes du grill avec vos mains nues! Portez TOUJOURS des gants de sécurité.

1. Mettre les deux boutons de commande en position d'arrêt (Fig. 29).

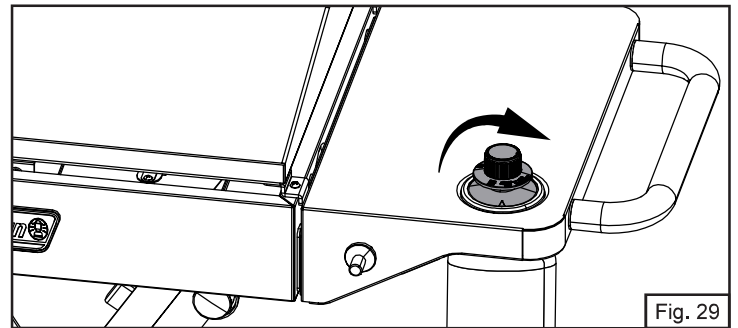


Fig. 29

⚠ ATTENTION

Assurez-vous que la bouteille jetable est débranchée lorsque l'appareil n'est pas utilisé.

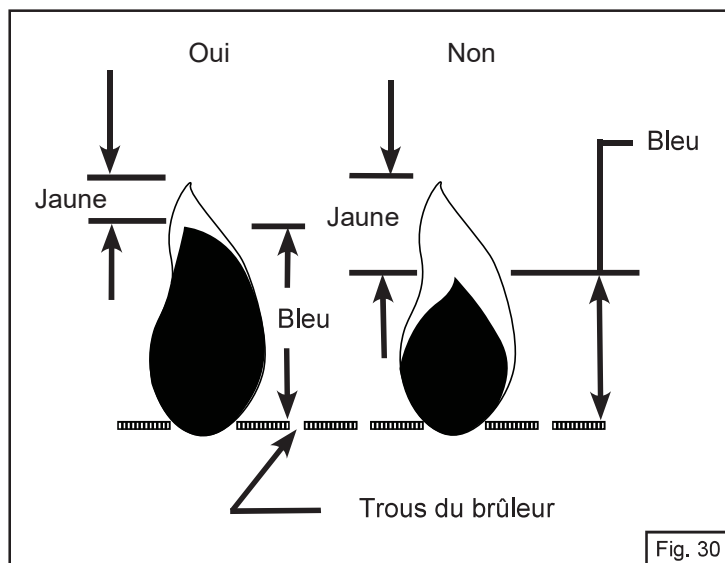
Généralités d'emploi et flammes correctes

⚠ AVERTISSEMENT

- Gardez la zone de l'appareil propre et exempte de matériaux combustibles, d'essence et d'autres vapeurs ou liquides inflammables, ainsi que de bouteilles de GPL de recharge.
- Pour éviter tout risque de basculement de l'appareil, ne posez JAMAIS plus de 9 kg (20 lb) sur la tablette latérale. Une marmite en aluminium de 4,5 l (4 pintes) remplie pèse environ 4,6 kg (10 lb).
- N'obstruez PAS le flux d'air de combustion et de ventilation.
- Maintenez la ou les ouvertures de ventilation de l'enceinte de la bouteille de GPL libres et dégagées de tout débris.
- Un appareil de barbecue devient chaud pendant son utilisation. NE touchez PAS les plaques chauffantes.
- Veillez à resserrer tous les éléments de quincaillerie (vis, écrous, boulons, etc.) au moins une fois par an ou avant chaque saison de grillades.

Flamme du brûleur

- L'appareil doit être en place.
- Veillez à ce que vos bras et votre visage ne se trouvent pas directement au-dessus de la zone de cuisson. Regardez à travers l'appareil et observez la flamme du brûleur en dessous.
- Les flammes doivent ressembler à la bonne flamme illustrée à la Fig. 30 et se présenter comme suit :
- Une bonne flamme doit être bleue avec une pointe jaune.
- Quelques pointes jaunes sur des flammes d'une longueur maximale de 2,5 cm (1 po) sont acceptables tant qu'aucun dépôt de carbone ou de suie n'apparaît.
- Si les flammes sont excessivement jaunes et irrégulières, il se peut que les résidus d'huile ne soient pas complètement brûlés, que le venturi soit obstrué ou qu'il ne soit pas correctement positionné sur les orifices. Laissez l'appareil refroidir avant de repositionner le venturi sur la vanne et les orifices.
- Les appareils qui ont été utilisés pendant un certain temps commencent parfois à présenter une flamme plus jaune. Une accumulation de dépôts alimentaires, de graisses ou d'assaisonnements de cuisson peut provoquer le jaunissement des flammes. Nettoyez le brûleur pour éliminer les résidus et vérifiez si les trous du brûleur sont obstrués ou si le venturi est bloqué. Reportez-vous à la section intitulée « Nettoyage du venturi ».
- Une utilisation régulière de votre appareil vous aidera à le faire fonctionner plus facilement.
- Chaque appareil peut chauffer différemment. Certaines unités chauffent un peu plus au centre et à l'arrière de l'appareil. La saveur des aliments grillés s'améliorera à mesure que vous utiliserez l'appareil et que vous vous familiariserez avec lui.



Conseils pratiques de grillage

Trucs pour régler le brûleur

- Le réglage grande flamme est trop chaud pour la cuisson directe. Ce réglage s'emploie plutôt pour saisir la viande que vous pouvez alors finir de cuire à un réglage moyen ou bas.
- Utilisez le réglage de feu vif pour préchauffer l'appareil pendant 5 minutes avant la cuisson.
- Servez-vous d'une flamme moyenne pour la cuisson directe des biftecks, des côtelettes de porc, du poulet et des hamburgers.
- Choisissez une petite flamme pour cuire les rôtis.
- Saisis à grande flamme puis finis de cuire à petite flamme,

les bifteck épais auront non seulement une meilleure texture mais ils seront aussi plus juteux.

Fonctionnement sans risque du appareil

- Ne laissez JAMAIS cuire des aliments sans les surveiller. Surveiller assidûment les aliments aide à maintenir une température uniforme, à ménager le gaz, à améliorer la saveur des aliments et à limiter les flambées soudaines.
- Ne mettez AUCUNE partie de votre corps directement au-dessus de la surface de cuisson.

Conseils de préparation des aliments

Votre appareil peut cuire une grande variété d'aliments. Pour obtenir les meilleurs résultats, suivez ces instructions :

- Parez l'excédent de gras de la viande et des volailles. Entaillez le gras restant afin qu'il ne se racornisse pas, mais faites très attention de ne pas couper la viande maigre.
- Dégelez la viande et les volailles congelées avant de les faire cuire sur le gril.
- Dégeler le poisson et les légumes congelés est inutile.
- Salez après la cuisson afin que les aliments ne dessèchent pas.
- Badigeonnez les viandes naturellement maigres avec de l'huile de cuisson ou de la margarine.
- Faites cuire de petits morceaux d'aliments tendres dans du papier d'aluminium ou sur un appareil spécial pour aliments délicats.
- Ne badigeonnez les aliments de sauce barbecue, de sauce tomate ou de sauce sucrée que durant les 10 dernières minutes de cuisson.
- Tournez les aliments avec des pinces ou une spatule pour ne pas les transpercer (tout spécialement la viande), afin qu'ils ne risquent pas de dessécher.

En cas de feu de friture

Agissez comme suit:

1. Fermez les boutons des brûleurs et éloignez-vous!
2. Laissez le feu s'éteindre.
3. Quand le feu s'est éteint et que le gril a refroidi, retirez la bouteille de propane jetable.
4. Nettoyez toutes les pièces et examinez-les pour déceler tous dommages, notamment la bouteille de propane, le régulateur, le(s) bouton(s) du ou des brûleur(s) et le(s) brûleur(s).
5. Si un des composants mentionnés précédemment est endommagé, veuillez appeler à l'un des numéros indiqués dans la garantie.

Remarque:

- Certaines flambées ajoutent une saveur fumée et font griller les aliments. Des feux de graisse excessifs peuvent provoquer une situation potentiellement dangereuse et endommager l'appareil.
- Évitez les flambées excessives en préchauffant l'appareil pendant 5 minutes sur le réglage haut pour brûler les graisses de la cuisson précédente.
- Surveillez en permanence la cuisson des aliments pour éviter les feux de graisse et les flambées.
- Parer le gras excédentaire des viandes minimise les feux de friture et les flambées soudaines. Faites cuire la viande grasse par petites quantités sur feu indirect, à feu doux.
- Observez rigoureusement les instructions données sous la rubrique «Nettoyage, soins et entretien».

Nettoyage, soins et entretien

REMARQUE POUR PRÉVENIR LES DOMMAGES ANNULANT LA GARANTIE :

- N'utilisez pas de casseroles, de poêles, de fours, etc. sur cet appareil.
- N'utilisez pas cet appareil sur un feu de camp ou un autre feu ouvert.
- Ne laissez jamais l'appareil au-dessus d'un brûleur allumé sans que des aliments brûlent pendant une longue période afin d'éviter toute surchauffe. Suggérez de laisser 5 minutes de période de préchauffage initial. Sinon, l'appareil sera endommagé.
- N'utilisez cette plaque chauffante que sur l'appareil Coleman® pour lequel elle a été conçue.

PLAQUE CHAUFFANTE

La plaque chauffante peut être nettoyée immédiatement après la fin de la cuisson et après avoir éteint l'appareil. Portez un gant de barbecue et frottez la plaque chauffante avec un chiffon humide. Si vous laissez refroidir la plaque chauffante, il sera plus facile de nettoyer l'appareil et la plaque chauffante si vous les retirez de l'appareil et les nettoyez avec un détergent doux.

⚠ ATTENTION

Le nettoyage et la maintenance ne doivent être effectués que lorsque l'appareil est froid et que l'alimentation en combustible est coupée au niveau de la bouteille. Les bouteilles de propane jetables doivent être détachées de la plaque chauffante pendant le nettoyage.

Produits de nettoyage suggérés:

- Détergent liquide doux pour vaisselle • Eau chaude
- Grattoir • Brosse métallique • Trombone • Tampon nettoyeur en nylon
- Brosse douce à poils de laiton • Couteau à mastiquer

Nettoyage des éléments:

- BRÛLEUR: Éliminez la corrosion de la surface du brûleur avec une brosse métallique. Nettoyez les trous des brûleurs obstrués avec un trombone redressé. Remplacez les brûleurs rouillés ou endommagés qui pourraient dégager trop de gaz.
- PLAQUE CHAUFFANTE : Nettoyez la plaque chauffante avec du savon doux et de l'eau chaude. Enlevez les résidus tenaces avec un nettoyeur doux ou une brosse à récurer. N'utilisez PAS de nettoyeur commercial pour four.
- INTÉRIEUR de la plaque chauffante : Retirez la plaque chauffante. Grattez le côté avec des outils et enlevez l'excès de graisse et les résidus de cuisson.
- BAC À GRAISSE : Enlevez la graisse et nettoyez le bac à graisse avec un savon doux et de l'eau chaude. N'utilisez PAS de nettoyeur commercial pour four

Plaque chauffante pour assaisonnement :

Important : assaisonnez votre appareil chaque fois que vous l'utilisez.

L'assaisonnement contribue à prolonger la durée de vie de votre appareil, rend la plaque chauffante antiadhésive et aide à prévenir la rouille.

- Outils nécessaires pour l'assaisonnement :
- Grattoir ou spatule en métal
- Huile de cuisson, telle que l'huile végétale ou l'huile d'olive extravierge
- Essuie-tout
- Pierre à barbecue ou laine d'acier
- Huile de finition telle que l'huile de lin

⚠ ATTENTION

N'utilisez PAS d'huile de maïs, car elle contient un taux élevé de sucre, qui peut caraméliser et brûler en surface.

Première utilisation

1. Allumez l'appareil.
2. Maintenez les brûleurs allumés et en position haute (HIGH) pendant 15 minutes.
3. Éteignez l'appareil.
4. Laissez l'appareil refroidir, mais encore légèrement chaud.
5. Essuyez la plaque chauffante, les parois intérieures et extérieures avec des essuie-tout jusqu'à ce qu'elles soient propres.
Note : Pendant le séchage, vous pouvez remarquer que la serviette peut présenter une certaine décoloration. C'est normal.
6. Appliquez l'huile de finition sur la plaque chauffante, les parois intérieures et extérieures et enduisez-les uniformément avec du papier essuie-tout enroulé.
7. Répétez ce processus au moins deux fois.

Après chaque utilisation

1. Éteignez l'appareil.
2. Pendant que l'appareil est encore chaud, grattez doucement tous les résidus alimentaires avec un grattoir.
3. Essuyez la plaque chauffante, les parois intérieures et extérieures avec un serviette ou des essuie-tout.
4. Pour les résidus alimentaires tenaces :
 - a. Allumez l'appareil.
 - b. Appliquez de l'huile de cuisson sur la plaque chauffante.
 - c. Laissez l'huile faire « bouillir » les résidus alimentaires.
 - d. Répétez les étapes 1 à 3.
 - e. Si nécessaire, utilisez une pierre à barbecue et frottez les résidus alimentaires.
 - f. Continuez avec les instructions « Assaisonnement de l'appareil ».
5. Essuyez la plaque chauffante, les parois intérieures et extérieures avec des essuie-tout jusqu'à ce qu'elles soient propres.
Note : Pendant le séchage, vous pouvez remarquer que la serviette présente une certaine décoloration. C'est normal.
6. Appliquez l'huile de finition sur la plaque chauffante, les parois intérieures et extérieures et enduisez-les uniformément avec du papier essuie-tout enroulé.
7. Allumez l'appareil.
8. Maintenez les brûleurs allumés et en position haute (HIGH) pendant 15 minutes ou jusqu'à ce que l'huile de finition commence à fumer.
9. Éteignez l'appareil.
10. Répétez les étapes 6 à 9 au moins 2 fois supplémentaires.

Remise à neuf de la plaque chauffante

1. Si l'appareil est éteint, rallumez l'appareil. Maintenez les brûleurs allumés pendant 10 minutes. Éteignez ensuite l'appareil.
2. Si l'appareil est en marche, éteignez-le.
3. Pendant que l'appareil est encore chaud, utilisez un grattoir ou une spatule métallique pour enlever le maximum de rouille et de résidus alimentaires de la plaque chauffante, des parois intérieures et extérieures.
4. Appliquez une bonne quantité d'huile de cuisson sur la plaque chauffante.
5. À l'aide d'une pierre à barbecue, frottez la plaque chauffante. Appliquez de l'huile de cuisson supplémentaire si nécessaire.
6. Essuyez la plaque chauffante, les parois intérieures et extérieures avec des essuie-tout.
7. Répétez les étapes 3 à 5 jusqu'à ce que les essuie-tout ne présentent plus de rouille.
8. Appliquez l'huile de finition sur la plaque chauffante, les parois intérieures et extérieures et enduisez-les uniformément avec du papier essuie-tout enroulé.
9. Allumez l'appareil.

- Maintenez les brûleurs allumés et en position haute (HIGH) pendant 15 minutes ou jusqu'à ce que l'huile de finition commence à fumer.
- Éteignez l'appareil.
- Répétez les étapes 7 à 10 jusqu'à ce que la surface ait une belle couleur foncée.

Nettoyage du diffuseur

⚠ AVERTISSEMENT

Toiles d'araignées et nids de guêpes en boue dans le diffuseur peuvent provoquer un incendie à la valve. En cas d'incendie, fermez immédiatement l'alimentation en gaz au robinet de la bouteille (voyez le schéma, Fig. 31).

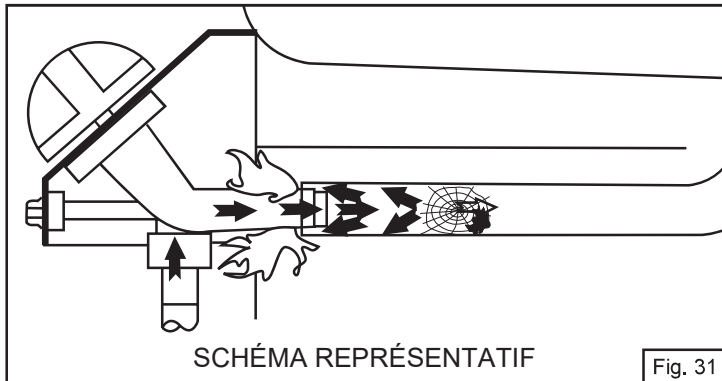


Fig. 31

Remarque:

Des araignées et de petits insectes peuvent se construire des toiles et des nids à l'intérieur des tubes du diffuseur. Ceci peut se produire plus particulièrement à la fin de l'été et de l'automne avant le gel, lorsque les araignées sont le plus actives. Ces nids peuvent obstruer la circulation du gaz et provoquer un feu à l'intérieur et autour du bouton de commande du brûleur. Un tel feu peut causer des blessures à l'opérateur et endommager sérieusement l'appareil. Examinez souvent (une ou deux fois par mois) les tuyaux du diffuseur et nettoyez-les au besoin pour assurer une bonne circulation de la chaleur.

REMARQUE: Normalement, l'eau ou l'air sous pression n'ont aucun effet sur les toiles d'araignées.

Nettoyage du diffuseur:

- Pour éliminer les obstructions citées ci-haut, servez-vous d'une brosse flexible à diffuseur ou bien faites un petit crochet à un bout d'un fil de fer flexible de 52 cm de long (voyez la Fig. 32).

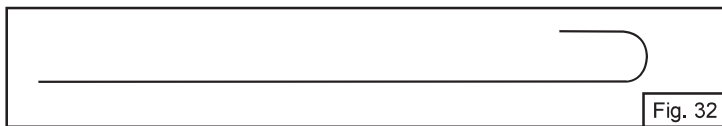


Fig. 32

- Retirez les vis et la plaque chauffante et mettez-les de côté. (Fig. 33 et Fig. 34).

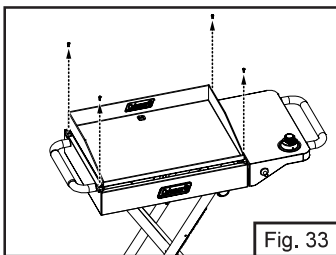


Fig. 33

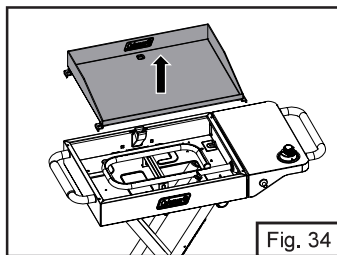


Fig. 34

- Regardez à l'intérieur de l'extrémité la plus basse du tube du diffuseur pour voir s'il y a des nids, des toiles d'araignée ou de la boue. Si vous en trouvez, nettoyez tel qu'expliqué à l'étape 1, Fig. 32.

- Examinez et nettoyez le brûleur, si nécessaire.
- Remplacez le brûleur et les lames du brûleur en vous assurant que le brûleur est en position de fonctionner.
- Assurez-vous que les attaches de l'orifice sont à l'intérieur du tube du diffuseur, resserrer ensuite toutes les vis autofileteuses. (Fig. 35 et Fig. 36)

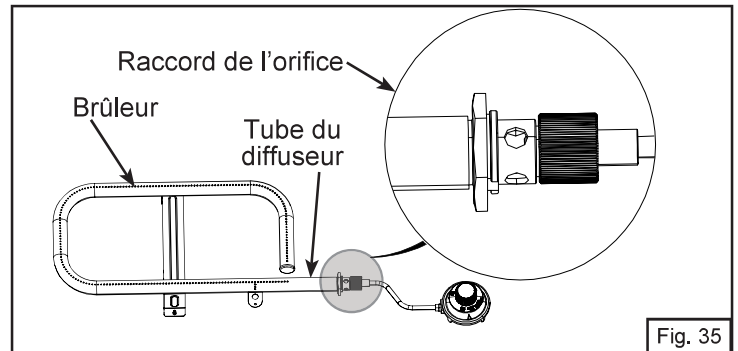


Fig. 35

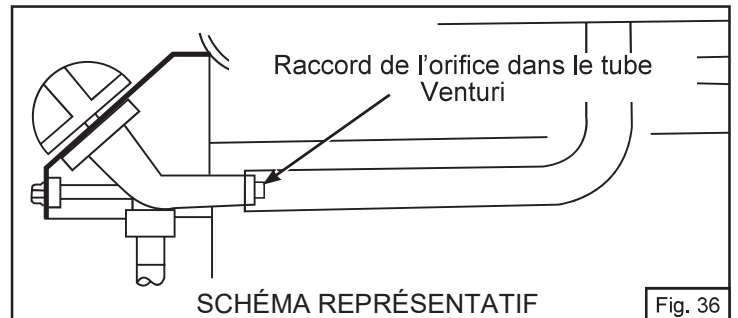


Fig. 36

Déplacement et remisage

⚠ AVERTISSEMENT

- Une collision avec l'appareil, comme avec tout objet métallique, peut provoquer des blessures. Soyez prudent lorsque vous déplacez un appareil à gaz portable.
- En cas de pluie, neige, grêle ou grésil ou d'autres formes de précipitations pendant la cuisson avec de l'huile ou de la graisse, couvrez le récipient pour la cuisson immédiatement et éteignez les brûleurs de l'appareil et l'approvisionnement en gaz. N'essayez pas de déplacer l'appareil ou le récipient de cuisson.
- Ne déplacez pas l'appareil lorsqu'il est utilisé. Laissez le récipient de cuisson refroidir à 45 °C (115 °F) avant de le déplacer ou de l'entreposer.

⚠ DANGER

Ne mettez pas la plaque chauffante en mode entreposage ou voyage immédiatement après l'avoir utilisée. Laissez la plaque chauffante refroidir au toucher avant de la déplacer ou de l'entreposer. Le non-respect de cette consigne pourrait provoquer un incendie entraînant des dommages matériels, des blessures corporelles, voire la mort. »

Déplacement de l'appareil :

- Retirez la bouteille de propane avant le déplacement, le retrait lorsque l'appareil est allumé ou chaud est interdit.
- Nettoyez le bac à graisse avant de déplacer l'appareil pour éviter les déversements.
- Rabattez l'appareil avant de le déplacer.
- Déplacez l'appareil lentement. NE courez PAS avec l'appareil derrière vous; il pourrait vous toucher par-derrière et vous blesser.

Après avoir déplacé l'appareil :

- Vérifiez que tous les raccords de gaz ne présentent pas de fuites pouvant provenir du déplacement.
- Vérifiez les tubes venturi pour vous assurer qu'ils sont toujours sur les orifices.

Étapes à suivre avant d'entreposer l'appareil :

- Nettoyez l'appareil, y compris le bac à graisse.
- Enduisez légèrement le brûleur d'huile de cuisson pour retarder la rouille.
- Pour un usage extérieur uniquement. Si l'appareil est entreposé à l'intérieur, détachez la bouteille à l'extérieur. Si vous le laissez à l'extérieur, retirez la bouteille et couvrez l'appareil pour le protéger des intempéries. Les housses pour appareil peuvent être achetées auprès d'un revendeur ou d'un fabricant d'appareils.

Dépannage

Problème : L'appareil ne s'allume pas lorsqu'on appuie sur le bouton de l'igniteur ou la flamme du brûleur est incomplète.

Raisons possibles et solutions:

1. Il n'y a pas de gaz. Vérifiez qu'il y ait du gaz dans la bouteille.
2. Assurez-vous que le brûleur est allumé. Attendez jusqu'à quatre secondes pour que le gaz qui circule s'allume.
3. Si le brûleur s'allume avec une allumette mais pas avec l'allumeur, vérifiez la position de l'électrode en céramique près du brûleur, l'état du fil d'allumage et de ses connexions. Essayez l'allumeur et remplacez toute pièce endommagée.
4. Vérifiez qu'il n'y ait ni toiles d'araignées ni nids d'insectes dans le diffuseur; nettoyez ce dernier au besoin.
5. Vérifiez la concordance du diffuseur et des trous. Positionnez correctement le diffuseur sur les trous si nécessaire.
6. Les têtes, orifices ou le bouton de commande du brûleur sont bloqués. Nettoyez-les.
7. Défaillance du régulateur; le gril doit être remplacé.
8. Assurez-vous que le régulateur et la bouteille de propane soient convenablement assemblés. Voyez la rubrique «Mise en place d'une bouteille de propane de 465 g».

Problème: La flamme est jaune.

Raisons possibles et solutions:

1. Vérifiez qu'il n'y ait ni toiles d'araignées ni nids d'insectes dans le diffuseur; nettoyez ce dernier au besoin.
2. Le brûleur neuf peut présenter des résidus d'huile qui brûleront.
3. Éliminez particules d'aliments, graisse et sel aux épices du brûleur.
4. Vérifiez le diffuseur, il faut peut-être le positionner correctement au-dessus des trous.

Problème: La flamme s'éteint à feu bas ou la chaleur est irrégulièrement répartie.

Raisons possibles et solutions:

1. Vérifiez qu'il n'y ait ni toiles d'araignées ni nids d'insectes dans le diffuseur; nettoyez ce dernier au besoin.
2. L'appareil froid doit être préchauffé pendant 5 minutes sur le réglage haut.
3. Vérifiez le diffuseur, il faut peut-être le positionner correctement au-dessus des trous.
4. Par temps froid et venteux, vous devrez éloigner l'appareil loin du vent.
5. Il n'y a pas de gaz. Vérifiez qu'il y ait du gaz dans la bouteille.

Problème: Le gril est trop chaud.

Raisons possibles et solutions:

1. Il se produit trop de flambées soudaines. L'entretien décrit sous la rubrique «En cas de feu de friture» s'impose.
2. Un orifice ou régulateur endommagé doit être remplacé,

ceci, uniquement par une pièce agréée par l'usine.

3. L'accumulation de graisse à l'intérieur de l'appareil nécessite le nettoyage et la vidange du bac à graisse.
4. Choisissez une température de cuisson plus basse si vous utilisez un grand feu.

Problème: Il y a le feu à une connexion.

Raisons possibles et solutions:

Fermez IMMÉDIATEMENT le bouton de commande et laissez l'appareil refroidir.

1. Le gaz fuit à cause d'un raccord défectueux. Serrez les raccords avec une clé à molette et remplacez les pièces endommagées. Effectuez un test de fuite sur tous les raccords avant de remettre l'appareil en marche.

Problème: Il y a des flammes derrière le tableau de commande ou à proximité des boutons de commande.

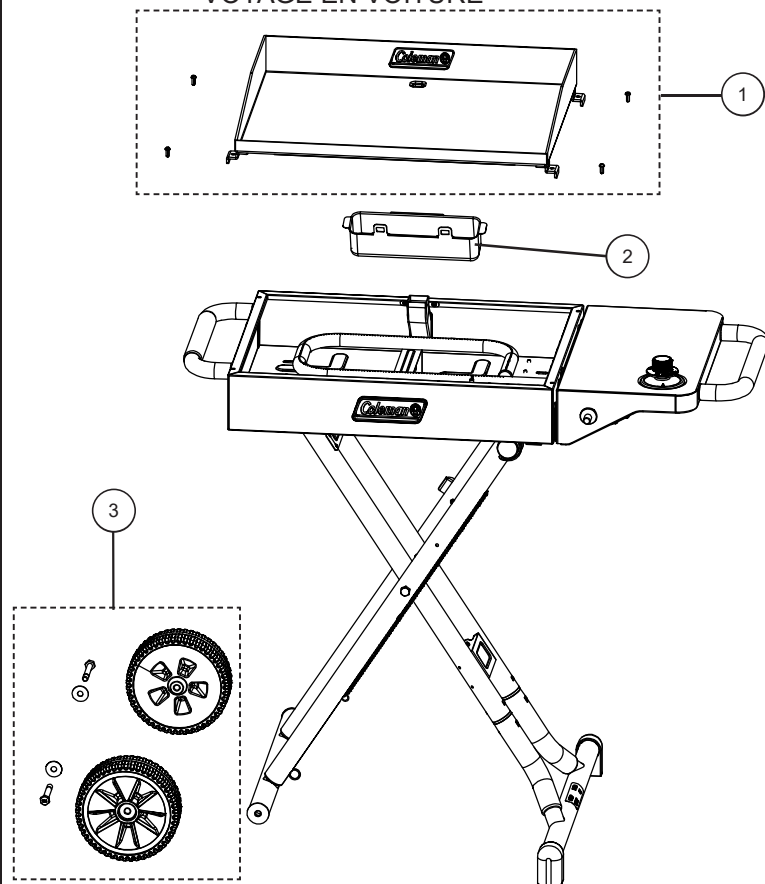
Raisons possibles et solutions:

Fermez IMMÉDIATEMENT le bouton de commande et laissez l'appareil refroidir.

1. Vérifiez qu'il n'y ait ni toiles d'araignées ni nids d'insectes dans le diffuseur; nettoyez ce dernier au besoin.
2. Le gaz fuit à cause d'un raccord défectueux. Serrez les raccords à la main et remplacez les pièces endommagées. Effectuez un test de fuite sur tous les raccords avant de remettre l'appareil en marche.
3. Vérifiez le diffuseur, il faut peut-être le positionner correctement au-dessus des trous.

Liste des pièces de rechange - Série CM9917

- 1 2171572 PLAQUE CHAUFFANTE DE REMPLACEMENT POUR CM9917
- 2 2171574 PIÈCE DE RÉPARATION PLAQUE CHAUFFANTE BAC À GRAISSE
- 3 2171573 ROUE DE REMPLACEMENT POUR LE VOYAGE EN VOITURE



Garantie limitée de trois ans

The Coleman Company, Inc. (« Coleman ») garantit cet article contre tout vice de matériau et de fabrication pendant une période de trois (3) ans courants à compter de la date de l'achat. Coleman se réserve le droit de choisir entre réparer ou remplacer cet article ou toute pièce de celui-ci dont la défectuosité a été constatée au cours de la période de garantie. Le remplacement se fera au moyen d'un produit neuf ou remanufacturé ou bien d'une pièce neuve ou remanufacturée. Si l'article n'est plus disponible, il sera remplacé par un article semblable, de valeur égale ou supérieure. La présente constitue votre garantie exclusive.

Cette garantie n'est valable que pour l'acheteur au détail original à partir de la date de l'achat au détail initial et elle n'est pas transférable. Veuillez conserver le reçu d'achat original. La preuve d'achat est exigée pour tout service couvert par la garantie. Les concessionnaires Coleman, les centres de service et les détaillants qui vendent des articles Coleman® n'ont pas le droit d'altérer, de modifier ou de changer d'une manière quelconque les modalités de cette garantie.

Ce que ne couvre pas cette garantie

Cette garantie ne couvre pas l'usure normale des pièces, les pièces autres que les pièces authentiques Coleman® ou l'endommagement attribuable à toute raison suivante: à la négligence, à l'utilisation abusive du produit, à l'utilisation commerciale du produit, au non-respect du mode d'emploi, au démontage et à la réparation ou à l'altération par quiconque, sauf Coleman ou un centre de service agréé Coleman. Cette garantie ne couvre pas non plus les cas de force majeure comme incendies, inondations, ouragans et tornades. La garantie est automatiquement annulée si l'endommagement du produit découle de l'utilisation d'une pièce autre qu'une pièce de marque Coleman®.

COLEMAN N'ASSUME AUCUNE RESPONSABILITÉ POUR LES VICÉS RÉSULTANT DE L'EMPLOI DE PIÈCES NON AUTORISÉES OU DE RÉPARATIONS EXÉCUTÉES PAR UN PERSONNEL NON AUTORISÉ. COLEMAN DÉCLINE TOUTE RESPONSABILITÉ EN CAS DE DOMMAGES ACCESSOIRES OU INDIRECTS RÉSULTANT DU NON-RESPECT DE TOUTE GARANTIE OU CONDITION EXPLICITE OU IMPLICITE. SAUF DANS LA MESURE INTERDITE PAR LA LÉGISLATION PERTINENTE, TOUTE GARANTIE IMPLICITE DE QUALITÉ COMMERCIALE OU D'APPLICATION À UN USAGE PARTICULIER EST LIMITÉE À LA DURÉE DE LA GARANTIE OU CONDITION CI-DESSUS. CERTAINS ÉTATS ET CERTAINES PROVINCES OU JURIDICTIONS INTERDISSENT D'EXCLURE OU DE LIMITER LES DOMMAGES ACCESSOIRES OU INDIRECTS, OU NE PERMETTENT PAS LA LIMITATION DE LA DURÉE D'APPLICATION DE LA GARANTIE IMPLICITE, DE SORTE QUE VOUS POUVEZ NE PAS ÊTRE ASSUJETTI AUX LIMITES OU EXCLUSIONS ÉNONCÉES CI-DESSUS. CETTE GARANTIE VOUS CONFÈRE DES DROITS JURIDIQUES PRÉCIS ET VOUS POUVEZ AVOIR D'AUTRES DROITS, CES DROITS VARIANT D'UN ÉTAT OU D'UNE PROVINCE À L'AUTRE.

Comment obtenir le service prévu par la garantie

Votre produit doit être couvert par la garantie afin d'obtenir le service de garantie. Si votre produit est défectueux et qu'il est encore couvert par la garantie, communiquez avec nous au 1-800-835-3278 (TDD 1-316-832-8707) afin d'obtenir une autorisation de retour. Ne retournez pas le produit à Coleman sans autorisation. On vous demandera de fixer une étiquette au produit qui comprendra votre nom, adresse, numéro de téléphone le jour et une description du problème. Ajoutez une copie du reçu de vente d'origine. **Emballez le produit et envoyez-le assuré par UPS, FedEx Ground ou colis postal avec frais d'expédition et assurance prépayés à :**

Pour les produits achetés aux États-Unis:

The Coleman Company, Inc.
3600 North Hydraulic
Wichita, KS 67219 U.S.A.

Pour les produits achetés au Canada:

Newell Brands Canada ULC
20B Hereford Street
Brampton, ON L6Y 0M1

Les frais d'envoi du produit à Coleman pour obtenir le service de garantie doivent être payés par l'acheteur.

N'envoyez pas de produits dont le réservoir contienne du carburant ou bien auxquels soit fixée un bouteille jetable de propane.

NE RETOURNEZ PAS CE PRODUIT AU LIEU D'ACHAT.

Si vous avez toute question quant à cette garantie, veuillez composer le 1-800-835-3278 ou le ATS 1-316-832-8707 aux États-Unis, et le 1-800-387-6161 au Canada.

Garantie, service et pièces

Repérez les numéros de modèle et de série sur l'étiquette apposée sur le gril.



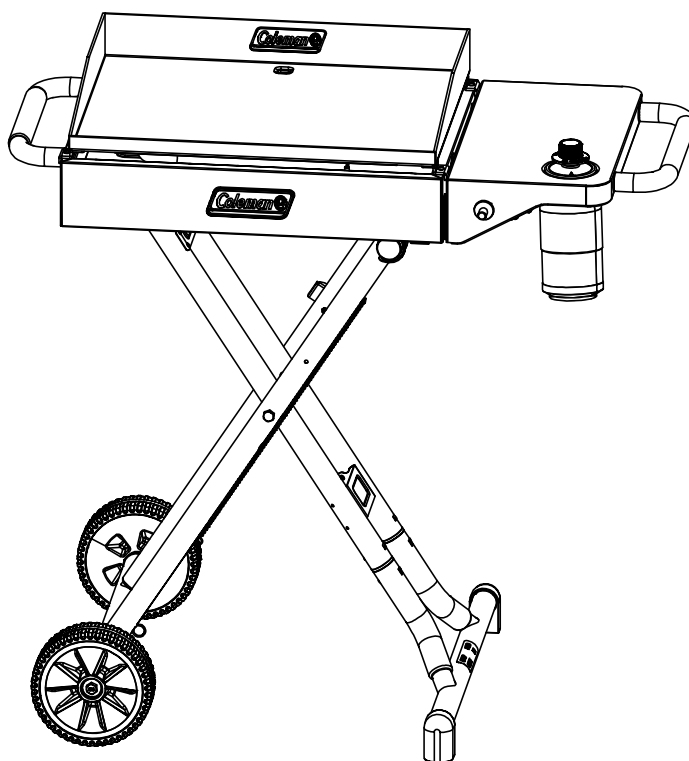
Aparato de gas

Manual de uso, cuidados y mantenimiento con instrucciones de encendido

CM9917

ENSAMBLADOR/INSTALADOR:
Deje estas instrucciones con el consumidor.

CONSUMIDOR/USUARIO:
Lea todas las instrucciones y consérvelas en un lugar seguro para referencia en el futuro.



IMPORTANTE

Lea este manual cuidadosamente antes de montar, usar o realizar el mantenimiento de este aparato. Conserve este manual para consultas futuras. Si tiene preguntas sobre el montaje, funcionamiento, mantenimiento o reparación de este aparato, por favor llame a Coleman al 1-800-835-3278 o TDD: 1-316-832-8707. En Canadá llame al 1-800-387-6161.

NOTA:
El cilindro de propano no está incluido.

Solamente Para Uso Al Aire Libre

El aparato no está destinado a un uso comercial



Contenido

Contenido	2
Características Técnicas	2
Información General de Seguridad	2
Instalación General	3
Bombonas portátiles para aparatos de gas propano líquido	4
Características del aparato	4
Montaje del aparato	5
Colocar o colapsar el sistema de patas	7
Instale el Cilindro de Propano de 1lb. (.46 kg)	7
Quemador y Orificio	7
Comprobación de Fugas - Cilindros de Gas LP Desechables	7
Como Verificar por Fugas	8
Reparando Una Fuga de Combustible	8
Lista de Comprobación Inicial	8
Instrucciones Para Encender	8
Encendiendo los Quemadores	8
Apagado del aparato	9
Uso General y Llamas Correctas en el Quemador	9
Sugerencias y Consejos para Asar	10
En Caso de un Fuego de Grasa	10
Cuidado, Mantenimiento y Limpieza	10
Sazonar la plancha	11
Limpieza del Venturi	11
Transporte y Almacenaje	12
Solución de Problemas	13
Lista de piezas de reemplazo — Serie CM 9917	13
Garantía	14

Características Técnicas

Capacidad de entrada: 1 quemador a 14,000 BTU/H
Categoría: Propano con presión regulada
Combustible: cilindros de propano desechables de 16.4 oz. (.46 kg.).
Regulador: Debe usarse un regulador Cavagna-TYPE 798

Información General de Seguridad

Este manual de instrucciones contiene información importante necesaria para el montaje correcto y el uso seguro del aparato. Se presenta información general de seguridad en estas primeras páginas y también se encuentra a través del manual. Debe prestar particular atención a la información acompañada por los símbolos de alerta de seguridad: “**▲ PELIGRO**”, “**▲ ADVERTENCIA**”, “**▲ PRECAUCIÓN**”.

Guarde este manual para referencia en el futuro y para educar a nuevos usuarios de este producto. Este manual debería leerse en conjunto con la etiqueta en el producto.

Lea y siga todas las advertencias e instrucciones antes de montar y usar el aparato. Siga todas las advertencias e instrucciones cuando utilice el aparato.

Los siguientes símbolos mostrados abajo se usan extensivamente a través de este manual. Siempre preste atención a estas precauciones, puesto que son esenciales cuando se usa cualquier equipo mecánico o abastecido por combustible.

▲ PELIGRO

PELIGRO indica una situación inminentemente arriesgada que, si no se evita, resultará en muerte o lesiones graves.

▲ ADVERTENCIA

ADVERTENCIA indica una situación inminentemente arriesgada que, si no se evita, podría resultar en muerte o lesiones graves.

▲ PRECAUCIÓN

PRECAUCIÓN indica una situación inminentemente arriesgada que, si no se evita, puede resultar en lesiones personales menores o leves o daño a la propiedad.

▲ PELIGRO

Si usted huele gas:

1. Corte el flujo de gas al aparato.
2. Extinga cualquier llama abierta.
3. Si el olor continúa, aléjese del aparato y llame inmediatamente a los bomberos.

El incumplimiento de estas instrucciones podría provocar un incendio o una explosión que podría causar daños materiales, lesiones personales o la muerte.

▲ PELIGRO

1. Nunca haga funcionar este aparato sin vigilancia.
2. Nunca haga funcionar este aparato a menos de 3,0 m (10 pies) de cualquier estructura, material combustible u otra bombona de gas.
3. Nunca haga funcionar este aparato a menos de 7,5 m (25 pies) de cualquier líquido inflamable.
4. Si se produce un incendio, aléjese del aparato y llame inmediatamente a los bomberos. No intente extinguir un incendio de aceite o grasa con agua.

El incumplimiento de estas instrucciones podría provocar un incendio, una explosión o una quemadura que podría causar daños materiales, lesiones personales o la muerte.

▲ ADVERTENCIA

1. No almacene ni use gasolina ni cualquier otro líquido ni vapor inflamable alrededor de este, ni de ningún otro aparato.
2. Un cilindro de LP (propano líquido) que no esté conectado para ser usado nunca debe ser guardado alrededor de este, ni de ningún otro aparato.
3. No mueva el aparato cuando esté en uso. Deje que el recipiente de cocción se enfríe hasta 45 °C (115 °F) antes de moverlo o almacenarlo.
4. Este aparato no está destinado a y nunca debe utilizarse como calentador.
5. Este aparato estará caliente durante y después de su uso. Utilice guantes o manoplas aislantes para protegerse de las superficies calientes o de las salpicaduras de los líquidos de cocción.

PROPOSICION 65 DE CALIFORNIA :

⚠ ADVERTENCIA: Este combustible, así como sus subproductos o su combustión, contienen monóxido de carbono, que es conocido por el Estado de California como causante de cáncer y defectos de nacimiento u otros daños reproductivos. Para mayor información, visite www.P65Warnings.ca.gov

⚠ PELIGRO

- SOLAMENTE PARA USO AL AIRE LIBRE. NUNCA haga funcionar la parrilla en áreas cerradas ya que esto podría ocasionar una acumulación de gas desde una fuga, causando una explosión o una concentración de monóxido de carbono que podría resultar en lesiones o muerte. NO la use en garajes, pasillos, cobertizos ni en ningún área encerrada.
- NO ES PARA SER USADA POR NIÑOS.
- ¡Si se ignoran éstas instrucciones un fuego peligroso o explosión podría resultar en lesiones físicas, muerte o daño a la propiedad!

⚠ ADVERTENCIA

- NO mueva la parrilla mientras está encendida.
- Mantenga el área donde se encuentra el aparato para cocinar al aire libre despejada y libre de materiales combustibles, gasolina y otros vapores inflamables y líquidos.

⚠ ADVERTENCIA

- NUNCA coloque más de 20 libras (9.0 kg.) en una mesa lateral. NO se apoye sobre la parrilla.
- NUNCA use briquetas de carbón o fluido para encender una parrilla de gas.
- Parrilla se pone caliente cuando está en uso; para evitar quemaduras, No toque ninguna superficie caliente de la parrilla. Mantenga a los niños y a los animales domésticos lejos de la parrilla caliente.
- NUNCA deje desatendida la parrilla mientras se esté usando.
- Es su responsabilidad el ensamblar, instalar, hacer funcionar y cuidar su parrilla de gas apropiadamente.
- NO use la parrilla de gas en interiores.
- En algunas circunstancias, el propano puede perder el olor distintivo que fue añadido. Otros olores fuertes pueden encubrir o disfrazar el olor del propano. Resfriados, alergias, congestión de sinusitis y el uso del tabaco, alcohol o las medicinas pueden impedir su capacidad para detectar el olor del propano.

⚠ ADVERTENCIA

- Si no está usando el aparato de gas para cocinado al aire libre, deberá cerrar el suministro de gas en los cilindros.
- El almacenamiento de un aparato de gas para cocinado al aire libre únicamente se permite si los cilindros están desconectados y retirados del aparato.
- Los cilindros deberán almacenarse al aire libre, fuera del alcance de los niños, y no deberán guardarse en edificios, garajes u otras áreas cerradas.

Instalación General

- La instalación debe seguir los códigos locales o, en ausencia de códigos locales, ya sea con el Código de Gas de Combustible Nacional, ANSI Z223.1/NFPA 54, Código de Instalación de Propano y Gas Natural, CSA B149.1, o el Código de Almacenamiento y Manejo del Propano, CSA B149.2, según se aplique.
- Para comprobar los códigos locales, vea a su distribuidor de gas L.P. local o a su compañía de gas listada en las Páginas Amarillas para saber los procedimientos y regulaciones recomendadas para la instalación.

⚠ ADVERTENCIA

Este aparato no debe ser instalado en o sobre ningún vehículo de recreación y/o bote.

Siga estas reglas de seguridad antes de cada uso:

1. Debe mantenerse una separación mínima de 60 cm entre las partes izquierda, derecha y posterior de la parrilla y todo tipo de edificación combustible, por ejemplo una construcción con revestimiento de madera.
2. No coloque nunca la parrilla debajo de materiales combustibles sin protección o salientes.
3. No obstruya el flujo de aire de ventilación y combustión.
4. La parrilla debe estar nivelada y no debe ser colocada enfrentando directamente al viento.

⚠ ADVERTENCIA

No se debe almacenar un tanque de propano líquido, no conectado para su uso con este aparato de gas, en las proximidades de este o de cualquier otro aparato.

Las conexiones deben cumplir con los requisitos locales y son la responsabilidad exclusiva de la persona que está realizando el trabajo.

⚠ ADVERTENCIA

- **NO intente hacerle ajustes al regulador ya que esto podría crear una situación causando lesión personal o daño a la propiedad.**

Bombonas portátiles para aparatos de gas propano líquido

El gas de Petróleo líquido (abreviado gas o propano L.P.), es altamente inflamable. Este se convierte en líquido cuando se guarda bajo alta presión dentro del cilindro y se vaporiza cuando se dispersa. El gas L.P. es más pesado que el aire y tiende a acumularse en áreas bajas. Es importante que no haya conexiones con fugas en su aparato de gas que puedan provocar un incendio o una explosión (consulte la sección titulada "PRUEBA DE FUGAS").

Los aparatos portátiles de gas LP requieren un sistema de suministro de combustible que se compone de un regulador [A] y una bombona de suministro de gas propano líquido [C], (Fig. 1) La ilustración de la Fig. 1 es solo para fines de descripción.

Especificaciones del Cilindro

- Todos los cilindros de gas L.P. que se usen con este aparato deben ser construidos y marcados de acuerdo con las Especificaciones para los cilindros de gas L.P. del Departamento de Transporte de Estados Unidos (DOT por sus siglas en inglés) o las Normas Nacionales de Canadá, CAN/CSA-B339, Transporte de Mercancía Peligrosa, Cilindros, Esferas y Tubos; y Comisión, según se aplique; y un dispositivo de conexión del cilindro compatible con la conexión para aparatos para cocinar al aire libre.
- Lea las etiquetas en el Cilindro de Suministro de Gas L.P.

⚠ ADVERTENCIA

Su nuevo aparato de barbacoa está equipado con un regulador CGA # 600 [C]. NO intente conectar este regulador a ninguna otra bombona desechable de gas propano líquido que no esté equipada con un accesorio CGA # 600 [D]. Este aparato solo puede utilizarse con el regulador de presión suministrado con este aparato, o con los reguladores de presión especificados por Coleman para su uso con este aparato. Los reguladores de reemplazo deben ser únicamente los especificados por Coleman. (Fig. 1)

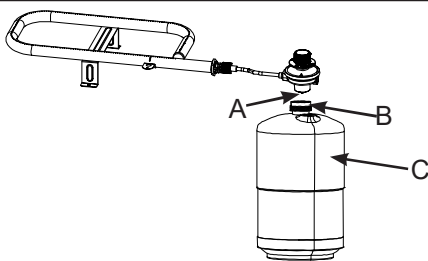


Fig. 1

⚠ PELIGRO

- NUNCA guarde una bombona de suministro de gas propano líquido de reemplazo debajo del cuerpo del aparato o cerca de cualquier aparato que produzca calor (Fig. 2).

El no seguir esta información exactamente podría resultar en una explosión y/o fuego causando muerte o lesiones graves.

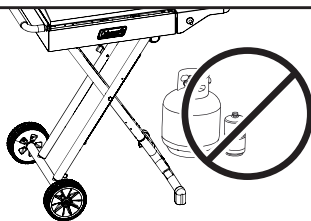
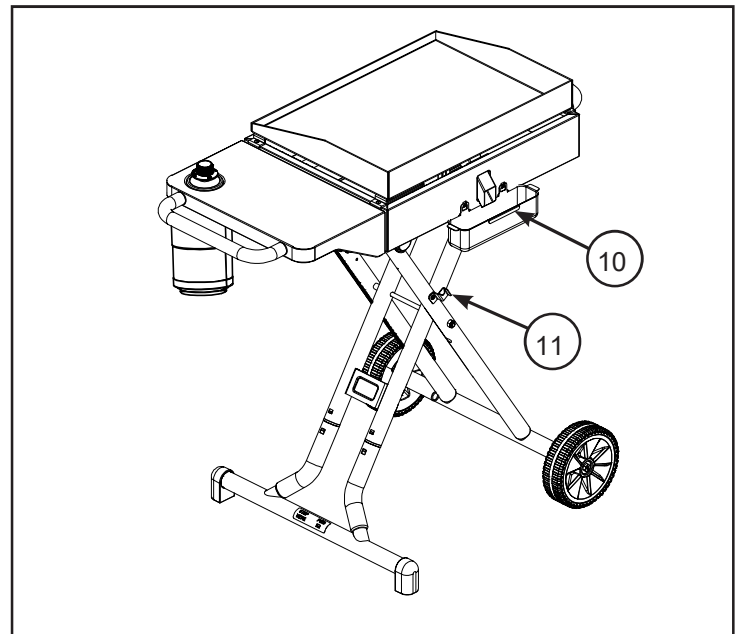
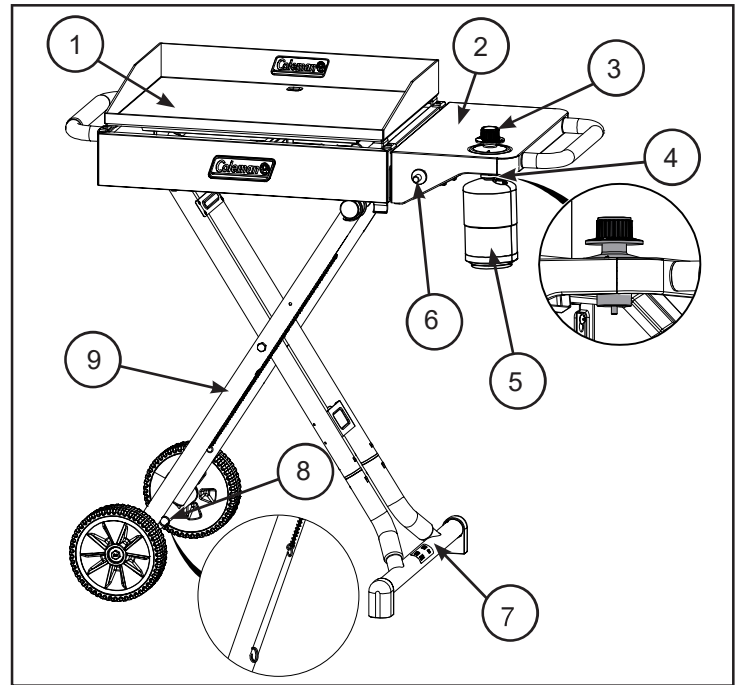


Fig. 2

ILUSTRACIÓN REPRESENTATIVA

Características del aparato



1. Plancha
2. Mesa lateral
3. Perilla de Control
4. Regulador
5. Cilindro Desechable (No Incluido)
6. Botón de encendedor electrónico
7. Asa para Remolcar
8. Extensión para Fósforo (Se guarda en la pata)
9. Patas con Ruedas
10. Bandeja de grasa
11. Mecanismo de bloqueo de pata

Montaje del aparato

IMPORTANTE: Saque todo el material de embalaje antes de ensamblar/usar.

Durante el montaje el aparato debe reposar sobre una alfombra o un cartón.

1. Inspeccione y saque todos los componentes del envase (Fig. 3).
2. Consulte en la caja de cartón las piezas y la tornillería que se incluyen con el aparato.(Fig. 4).

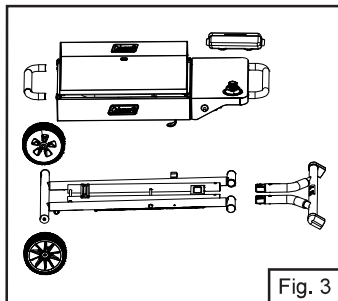


Fig. 3

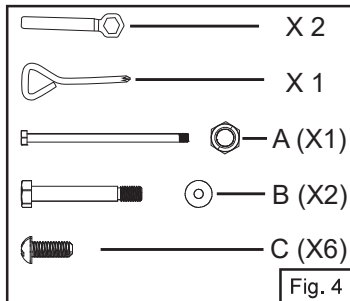


Fig. 4

3. Voltee el aparato y colóquelo sobre una superficie blanda.
 4. Introduzca el asa de remolque en la pata derecha (Fig. 5A).
 5. Deslice el asa de remolque en las patas como se muestra a continuación. Continúe deslizando en la pata hasta que se bloquee en su lugar (Paso b de la Fig. 5B).
- NOTA:** consulte la Fig. 5A y la Fig. 5B para conocer la orientación correcta del asa de remolque.

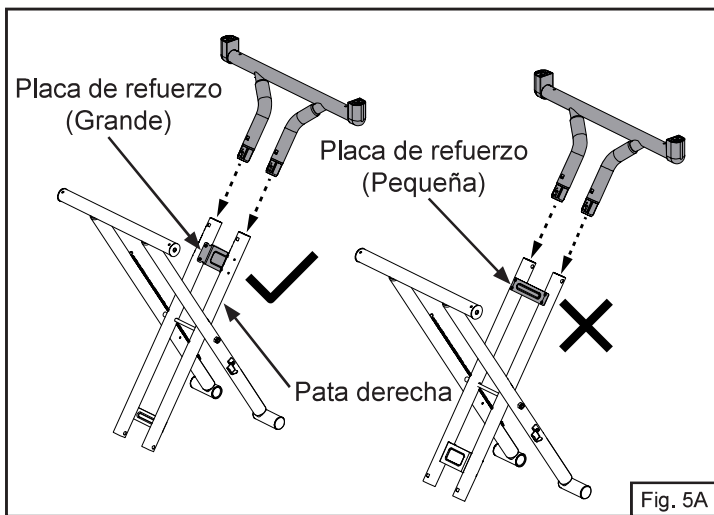


Fig. 5A

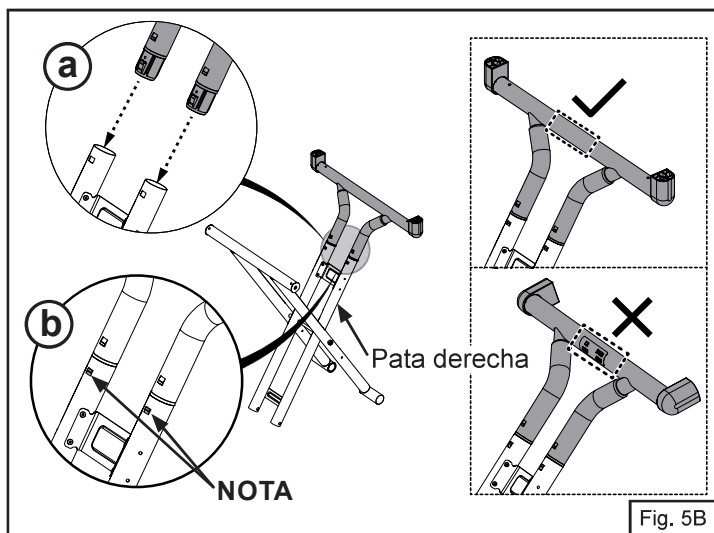


Fig. 5B

6. Extienda las patas y coloque los extremos de la pata izquierda en los soportes de las patas (Paso a de la Fig. 6). Fije la pata derecha a la base del aparato con el perno A (Paso b de la Fig. 6).

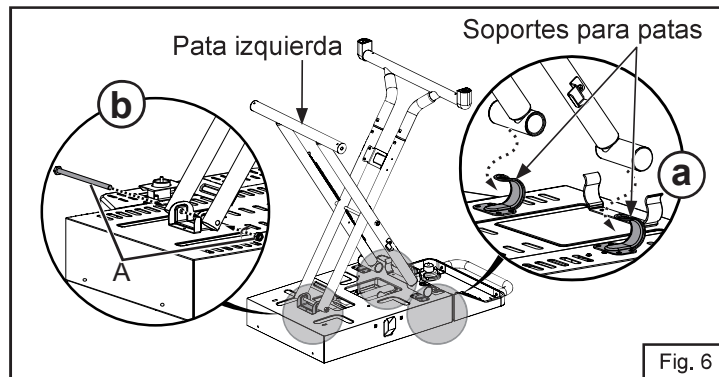


Fig. 6

7. Utilice la llave para fijar cada rueda al eje utilizando un perno y una arandela (Fig. 7).

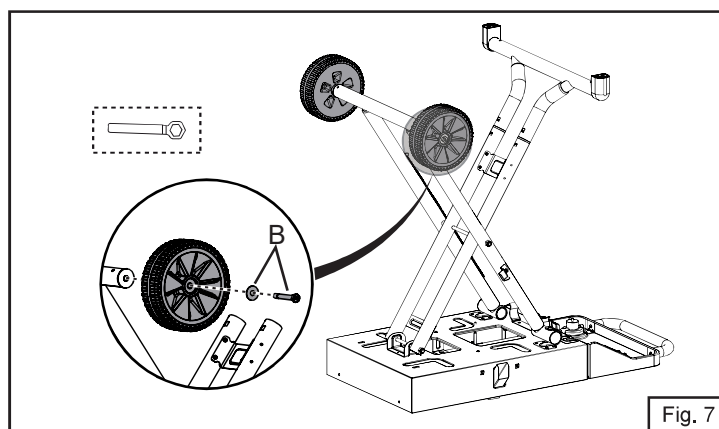


Fig. 7

8. Voltee el aparato y asegúrese de que el asa de remolque está instalada correctamente.
- NOTA:** está bien instalada si el texto de advertencia está hacia arriba (Fig. 8A). De otro modo está mal instalada (Fig. 8B).

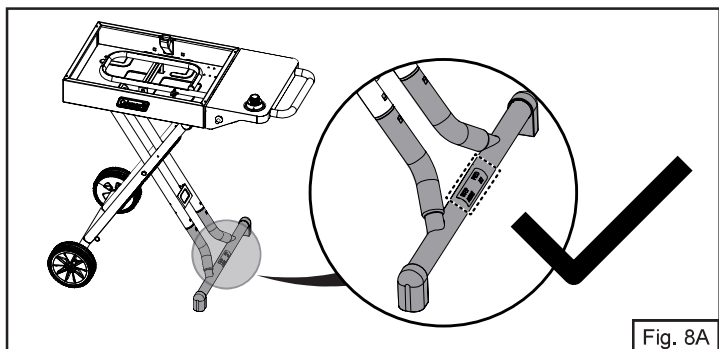


Fig. 8A

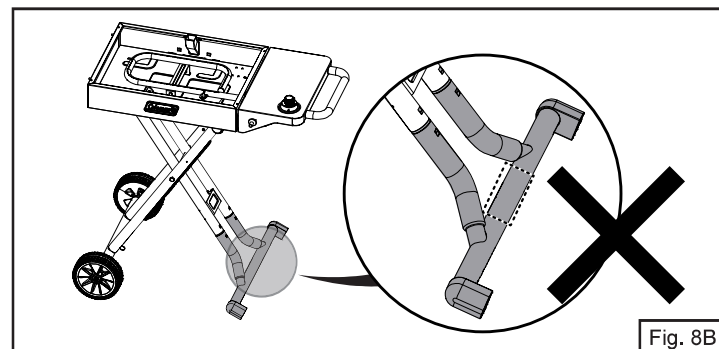


Fig. 8B

9. Asegure el asa con tornillos (Fig. 9).

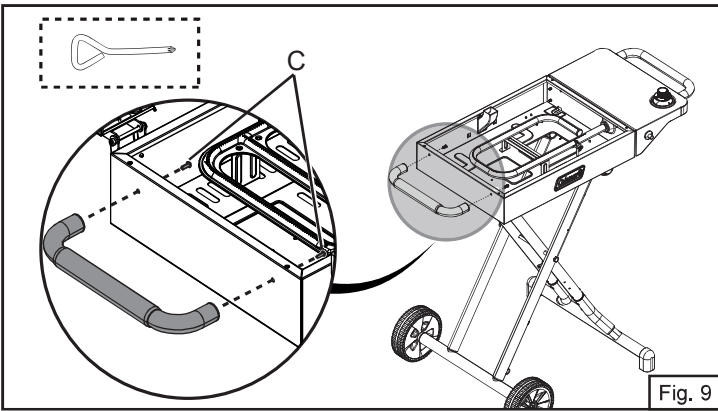


Fig. 9

10. Coloque la plancha boca arriba sobre el aparato (Fig. 10).

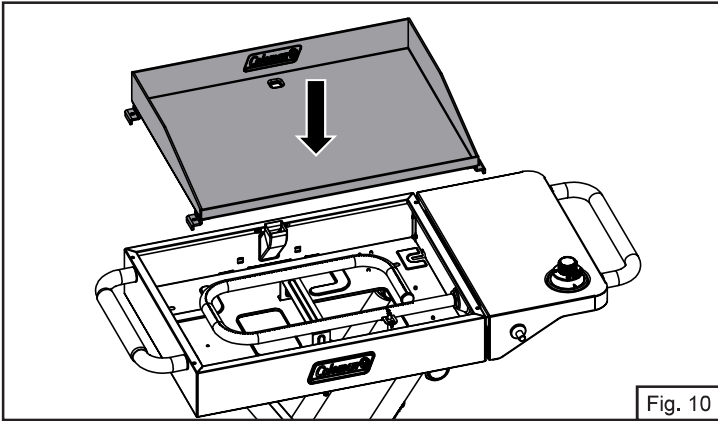


Fig. 10

11. Gire los tornillos en el sentido de las agujas del reloj para fijar la plancha (Fig. 11).

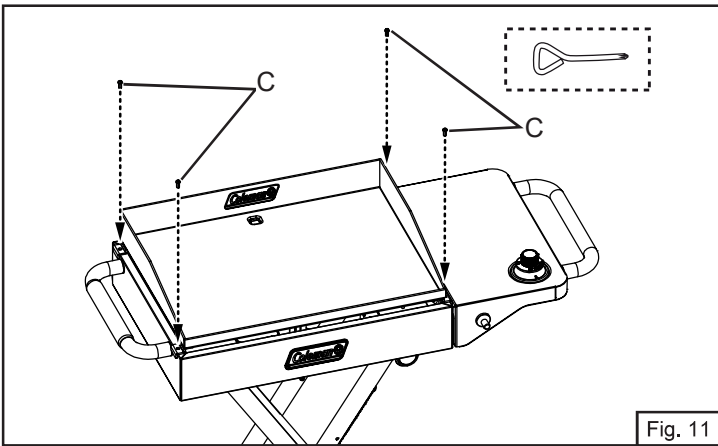


Fig. 11

12. Coloque la bandeja de grasa debajo de la mesa lateral (Fig. 12).

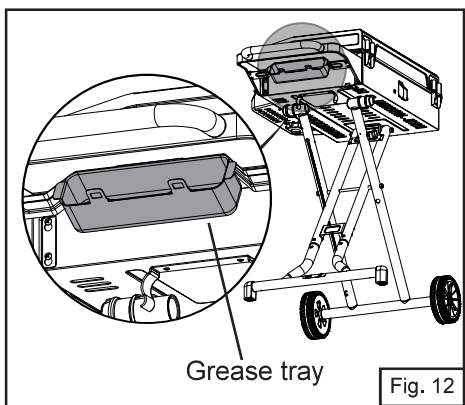


Fig. 12

Colocar o colapsar el sistema de patas

Cómo colapsar el sistema de patas

1. Coloque un pie en el asa de remolque, agarre el asa de transporte y levántela hacia usted (Fig. 13A). Ahora las patas están desbloqueadas de los soportes en forma de gancho rojo situados bajo el aparato (Fig. 13B). Deje que el aparato baje (Fig. 13C). Las ruedas rotarán en sentido contrario a usted. Ahora está en la posición plegada o colapsada. Empuje suavemente el asa de transporte para que las patas queden bien aseguradas. Ahora podrá agarrar el asa de transporte y poner el aparato parado.

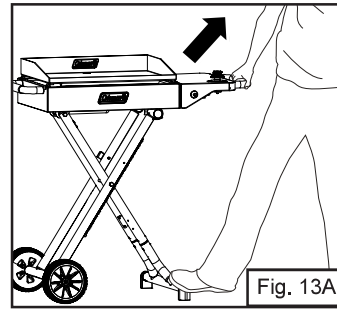


Fig. 13A

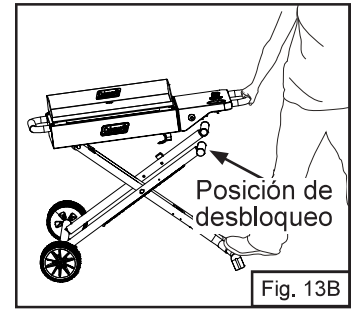


Fig. 13B

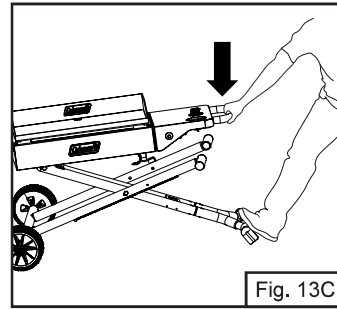


Fig. 13C

2. Presione el aparato firmemente hacia abajo hasta que las patas queden bloqueadas en el clip (Fig. 14).

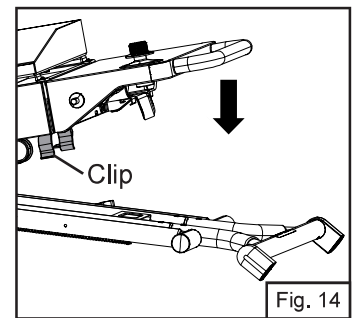


Fig. 14

3. Gire el cierre de las patas en el sentido de las agujas del reloj en la ranura para asegurar las patas (Fig. 15).
4. Una vez que las patas estén bloqueadas en su posición, vuelva a voltear el aparato para que la plancha (o la tapa) quede de nuevo hacia arriba. Ahora puede trasladar fácilmente el aparato a cualquier lugar de su camping o patio trasero agarrando el asa de remolque (Fig. 16).

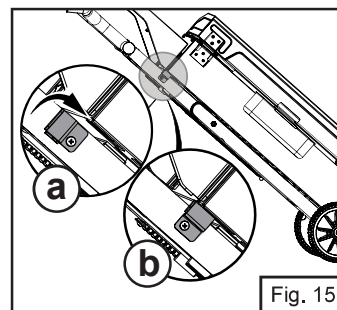


Fig. 15

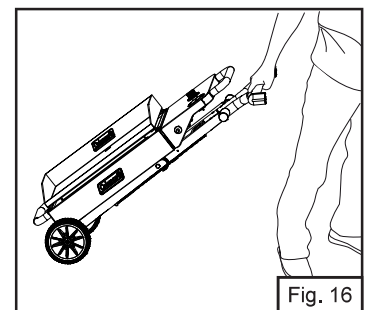


Fig. 16

Cómo colocar el sistema de patas

1. Gire el mecanismo de bloqueo de patas en sentido contrario al de las manecillas para liberar las patas. (Fig. 17).
2. Abra el aparato desde la posición plegada. Coloque un pie en el asa de remolque, agarre el asa de transporte y levántela hacia usted (Fig. 18A). Continúe tirando hacia arriba hasta que el soporte del aparato esté completamente extendido (Fig. 18B).
3. Bloquee la parte superior del aparato en los ganchos de las patas como se muestra (Fig. 18C).

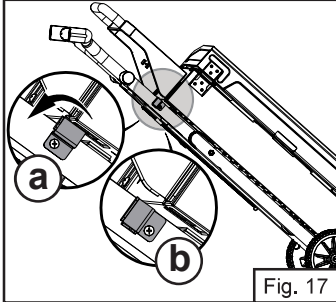


Fig. 17

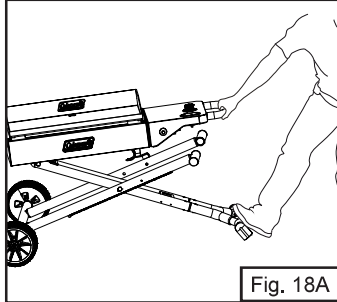


Fig. 18A

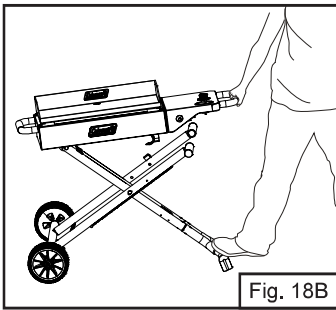


Fig. 18B

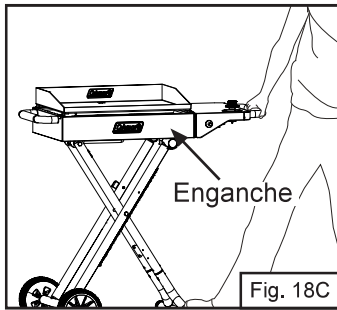


Fig. 18C

Instale el Cilindro de Propano de 1lb. (.46 kg)

NOTA: Su aparato de la Serie CM9917 viene configurado de fábrica para usarlo con una bombona de propano desechable de 1 libra.

⚠ ADVERTENCIA

Sólo debe usar cilindros marcados "Propano".

⚠ ADVERTENCIA

¡Este procedimiento DEBE ser realizado sólo al Aire Libre!
Lea y siga las direcciones en el cilindro.

⚠ PELIGRO

• NUNCA guarde un cilindro de suministro de gas L.P. de repuesto bajo el armazón de la parrilla ni dentro de la parrilla ni alrededor de ningún aparato que produzca calor. El no seguir esta información exactamente podría resultar en una explosión y/o fuego causando muerte o lesiones graves.

⚠ PRECAUCIÓN

Enrosque solamente con la mano. NO use herramientas.

1. Antes de conectar el cilindro de propano, asegúrese de que ambas perillas de mando estén cerradas (Fig. 19).

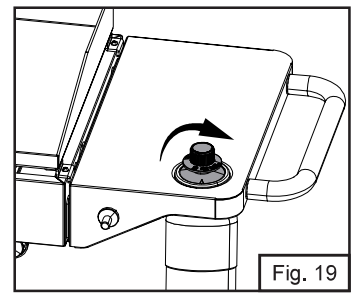


Fig. 19

2. Quite el tapón plástico del cilindro de propano y enrosque el cilindro en el regulador apretándolo con la mano (Fig. 20).

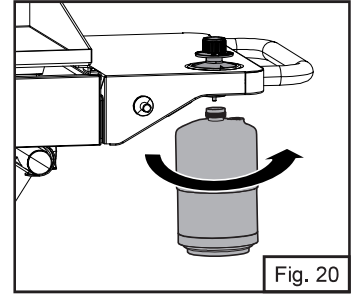


Fig. 20

Quemador y Orificio

1. Es importante la posición correcta de la hornalla con respecto al orificio. Para verificar la instalación correcta del tubo de la hornalla, use un destornillador para quitar el tablero de control. El tubo de la hornalla debe estar situado sobre el conector del orificio. Vea la figura 21 (no se muestra el tablero de control).

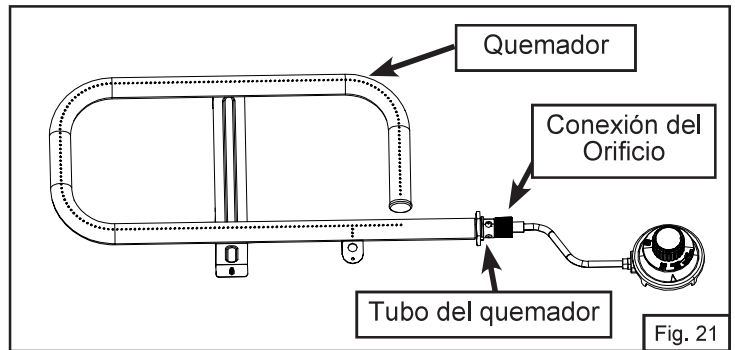


Fig. 21

2. Verifique y limpie cualquier insecto o nido de insectos en los quemadores y tubos venturi. Un tubo tapado puede ocasionar un fuego debajo del aparato. (vea la sección "Limpieza del Venturi").

Comprobación de Fugas - Cilindros de Gas LP Desechables

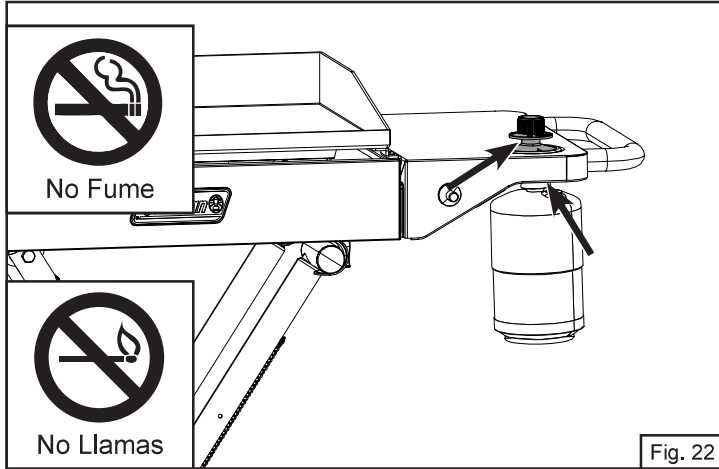
⚠ PRECAUCIÓN

PARA PREVENIR RIESGOS DE FUEGO O EXPLOSIÓN:

- PROHIBIDO FUMAR. NO use o permita fuentes de ignición en el área mientras haga una comprobación de fuga.
- Haga la comprobación de fugas solo al aire libre.
- NUNCA haga una comprobación de fugas usando fuego o una llama.

Como Verificar por Fugas

1. Haga una solución jabonosa con partes iguales de detergente líquido suave para lavar platos y agua.
2. Lleve la perillas de mando del quemador a la posición OFF (apagado).
3. Aplique una solución jabonosa a las conexiones indicadas con las flechas. (Fig. 22) Si aparecen burbujas en estas áreas, esto indica una fuga.



Reparando Una Fuga de Combustible

Si usted detecta una fuga:

1. Pare la fuga apretando la conexión suelta, o sustituyendo la parte defectuosa con un repuesto recomendado por Coleman. NO intente reparar el cilindro si éste se daña; el cilindro DEBE ser reemplazado.
2. Si no puede detener una fuga, retire la bombona del aparato. NO utilice el aparato hasta que se haya corregido la fuga.

Cuando comprobar por fugas:

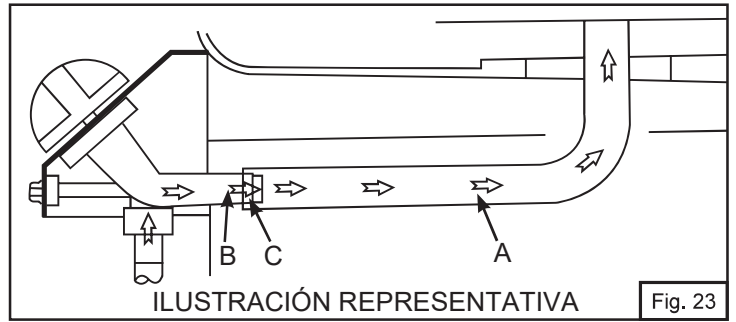
1. Haga una comprobación de fuga cada vez que el cilindro de suministro de gas sea conectado al regulador. Compruebe por fugas cada vez que una parte del sistema de gas sea reemplazada.

Lista de Comprobación Inicial

⚠ ADVERTENCIA

Si no sigue estos pasos de seguridad antes de utilizar el aparato cada vez, podría producirse un incendio que podría ser peligroso para usted, el aparato o el lugar. Es especialmente importante observar estos pasos después de que el aparato haya sido almacenado, trasladado o limpiado.

1. Compruebe regularmente los tubos venturi del quemador por bloqueos causado por nidos de insectos. Lea "Limpieza del Venturi" en la sección titulada "Cuidado, Mantenimiento y Limpieza", y también la sección titulada "Solución de Problemas".
2. Asegúrese de que el tubo del quemador [A] esté correctamente colocado sobre la salida del regulador [B]. El orificio [C] debe estar dentro del venturi. (Fig. 23)
3. Sólo use el tipo de gas especificado.
4. Mantenga la parrilla en una superficie nivelada.



⚠ PRECAUCIÓN

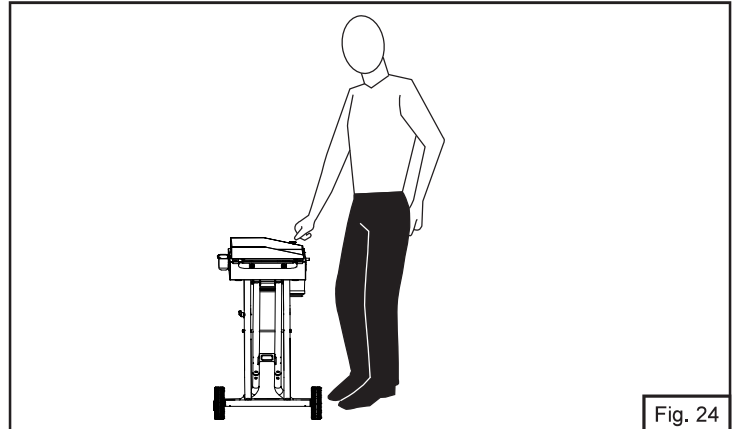
¡NO agregue carbón ni líquido para encendedores!

Instrucciones Para Encender

⚠ ADVERTENCIA

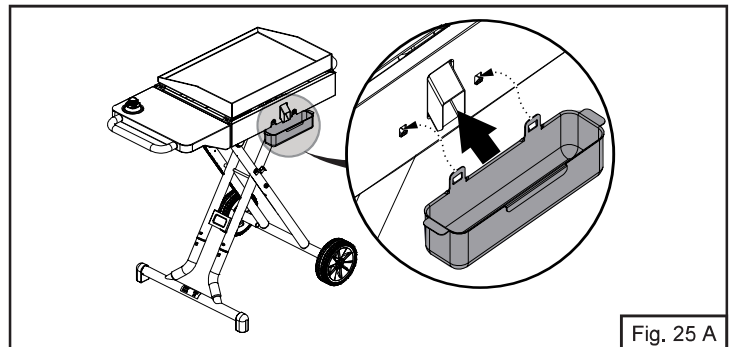
LAS SIGUIENTES REGLAS DEBEN SER SIEMPRE SEGUIDAS EN ESTE ORDEN (Fig. 24):

1. Lea todas las instrucciones antes de encenderlo.
2. Si no se produce el encendido en 5 segundos, apague el/los mando/s del quemador, espere 5 minutos y repita el procedimiento de encendido.
3. Compruebe que los mandos de control de los quemadores estén en «OFF».
4. NO se coloque con la cabeza o los brazos sobre el aparato.



Encendiendo los Quemadores

Instale la bandeja de grasa antes de encender el aparato (Fig. 25 A).



Nota: cuando la bandeja de grasa esté casi llena, deberá vaciarla (Fig. 25 B). Tenga cuidado con el aceite y la bandeja de grasa, que estarán muy calientes. Utilice herramientas o

guantes de protección térmica para retirar, limpiar el aceite y luego instalarlo correctamente.

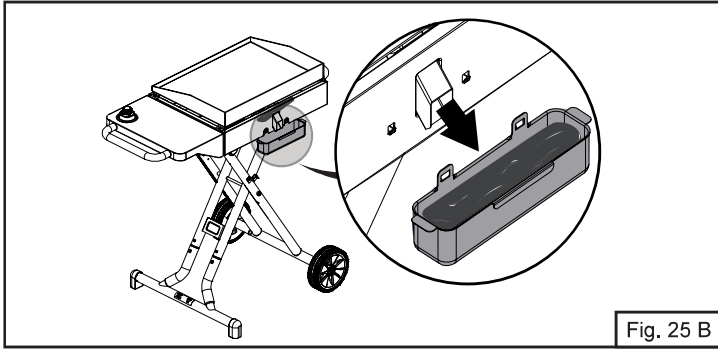


Fig. 25 B

Encendido Electrónico INSTASTART™

1. Empuje y gire la perilla de mando 90 grados en sentido contrario al de las manecillas para abrirla, y luego oprima el botón del encendedor varias veces hasta que se encienda la hornalla (Fig. 26).
NOTA: si el encendedor no enciende el aparato, utilice una cerilla para encender el quemador. Consulte las instrucciones para encender con una cerilla. Si el aparato está mojado, es posible que el encendedor no encienda.
2. Regule la llama con la perillas de mando (Fig. 27).

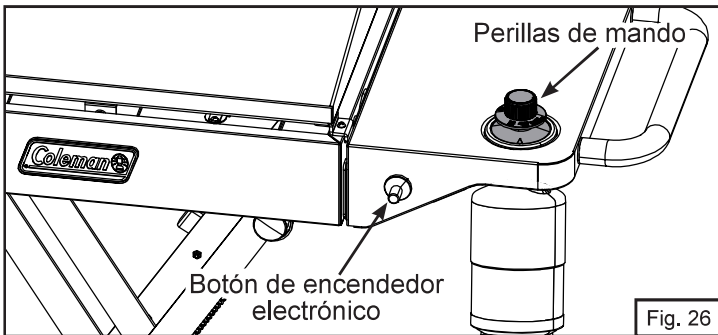


Fig. 26

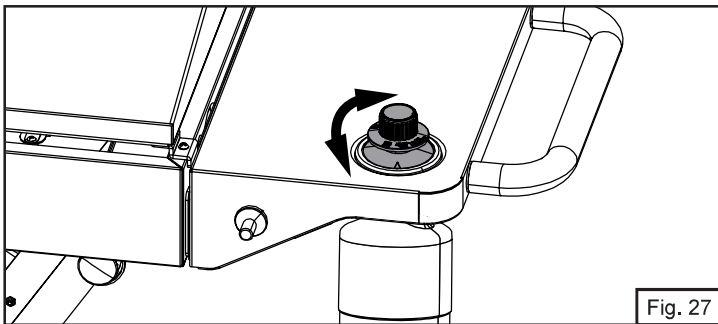


Fig. 27

Encendido con Fósforos

1. Encienda y coloque la cerilla larga de madera encendida (o utilice la extensión para cerillas o un encendedor de butano con extensión) a través de los espacios del aparato cerca de los puertos del quemador. (Fig. 28)
2. Empuje y gire la perilla de mando 90 grados en sentido contrario al de las manecillas para abrir la hornalla.
3. Repita los pasos del 1 al 2 para encender el segundo quemador.

⚠ PRECAUCIÓN

Utilice una cerilla de madera LARGA o un encendedor de butano con extensión. Si no puede acceder a una cerilla o encendedor de largo alcance, utilice la extensión para cerillas (Guárdela en la pata). Introduzca una cerilla en el soporte del extremo del prolongador, encienda la cerilla y aproxímela al QUEMADOR abierto.

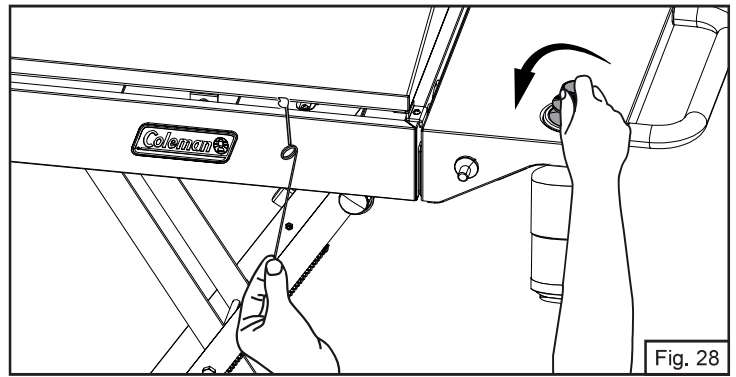


Fig. 28

Apagado del aparato

⚠ PRECAUCIÓN

¡NO toque las partes caliente de la parrilla con sus manos! Usted DEBE usar guantes protectores.

1. Cierre las dos perillas de mando (Fig. 29).

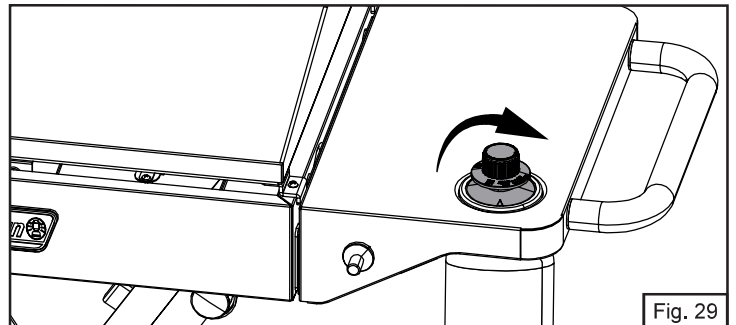


Fig. 29

⚠ PRECAUCIÓN

Asegúrese de que la bombona desechable esté desconectada cuando el aparato no esté en uso.

Uso General y Llamas Correctas en el Quemador

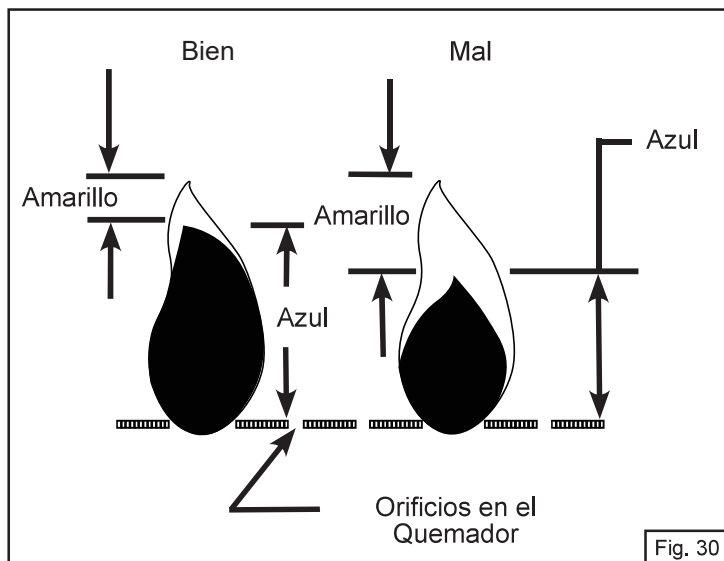
⚠ ADVERTENCIA

- Mantenga la zona del aparato limpia y libre de materiales combustibles, gasolina y otros vapores inflamables, líquidos y bombonas de gas propano líquido de reemplazo.
- Para evitar la posibilidad de que el aparato se vuelque, NUNCA coloque más de 20 libras en la mesa lateral. Una olla de aluminio de 4 cuartos llena pesa unas 10 libras.
- NO obstruya el flujo del aire de combustión y ventilación.
- Mantenga la(s) abertura(s) de ventilación del espacio para las bombonas de gas propano líquido despejadas y sin residuos.
- El aparato de barbacoa se calienta durante su uso. NO toque las planchas.
- Asegúrese de apretar toda la tornillería (tornillos, tuercas, pernos, etc.) al menos una vez al año o antes de cada temporada de asado.

La Llama del Quemador

- El aparato debería estar en su sitio.
- Mantenga los brazos y el rostro apartados para que no estén directamente sobre la zona de cocción. Mire a través del aparato y observe la llama del quemador por debajo.
- La llama debería tener un aspecto similar a la llama buena que se muestra en la Fig. 30, y estas características:

- Una llama buena debe ser azul con una punta amarilla.
- Algunas puntas amarillas en llamas de hasta 1 pulgada de longitud son aceptables siempre que no aparezcan depósitos de carbón u hollín.
- Si las llamas son excesivamente amarillas e irregulares, es posible que los residuos de aceite no se hayan quemado completamente, o que el venturi esté obstruido o no esté bien colocado sobre los orificios. Deje que el aparato se enfríe antes de volver a colocar el venturi sobre la válvula y los orificios.
- Los aparatos que han estado en uso durante un tiempo a veces comienzan a mostrar una llama más amarilla. Una acumulación de depósitos de alimentos, grasas o condimentos para cocinar puede hacer que las llamas sean amarillas. Limpie el quemador para eliminar los residuos y compruebe si los orificios del quemador están obstruidos o si el venturi está bloqueado. Consulte la sección titulada "Limpieza del venturi".
- El uso regular de su aparato le ayudará a mantener un funcionamiento más fluido.
- Cada aparato puede calentar de forma diferente. Algunos aparatos calentarán algo más hacia el centro y la parte trasera del aparato. El sabor de los alimentos asados mejorará cuanto más utilice el aparato y a medida que se familiarice con él.



Sugerencias y Consejos para Asar

Sugerencias Para Ajustar El Control Del Quemador

- El ajuste de llama alta es demasiado caliente para cocinar directamente. El ajuste de llama alta es bueno para dorar la carne rápidamente y luego terminar de cocinarla con el ajuste de llamas medianas o bajas.
- Utilice el ajuste de fuego alto con la tapa cerrada para precalentar el aparato durante 5 minutos antes de cocinar.
- Use el ajuste de llama mediana para cocinar directamente los filetes de res, chuletas de cerdo, pollo y hamburguesas.
- Use el ajuste de llama baja para asado.
- Los filetes gruesos saldrán con una mejor textura y más jugosos si se doran primero en el ajuste de llama alta y luego se cocinan en el ajuste de llama baja.

Funcionamiento Seguro De La Parrilla

- NUNCA deje la comida cocinándose desatendida. La atención continua a la comida ayudará a mantener la temperatura estable, conservar combustible, mejorar el sabor de la comida y disminuir llamaradas.
- NO exponga directamente ninguna parte de su cuerpo sobre el área de cocinar.

Sugerencias Para La Preparación De Comida

Su aparato puede cocinar una gran variedad de alimentos. Para obtener los mejores resultados, siga estas instrucciones:

- Corte el exceso de grasa de la carne y de las aves. Quite toda la grasa restante con cuidado en no cortar la carne.
- La carne y aves congeladas deben descongelarse antes de cocinarlas.
- El pescado y las verduras congeladas deben cocinarse sin descongelarse.
- Póngale la sal a la comida después de cocinarla para ayudar a prevenir que quede seca.
- Póngale aceite o margarina con una brochita a las carnes que contengan poca grasa.
- Cocine pequeños trozos de alimentos tiernos en papel de aluminio o en un aparato especial para alimentos delicados.
- Aplique salsas de barbacoa, tomate o con base de azúcar no antes de los últimos 10 minutos de cocción del alimento.
- Voltee la comida con pinzas o una espátula; perforar el alimento (sobre todo la carne), tiende a secarla.

En Caso de un Fuego de Grasa

Siga Estos Pasos:

1. ¡Cierre el suministro de gas usando las válvulas del quemador y manténgase alejado!
2. Permita que el fuego se consuma solo.
3. Una vez que el fuego se ha apagado y el aparato se haya enfriado, quite el cilindro desechable.
4. Limpie todas las partes e inspeccione por algún daño. Las partes que se deben revisar por daño son el cilindro L.P., el regulador, la(s) válvula(s) del (de los) quemador(es).
5. Si alguno de los componentes antes mencionados está dañado, llame a los números telefónicos que se indican en la garantía.

Nota:

- Un poco de fuego producido por la grasa añade un sabor ahumado y dora los alimentos. Los fuegos excesivos producidos por la grasa pueden provocar una situación potencialmente peligrosa y dañar el aparato.
- Evite las llamaradas excesivas al precalentar el aparato durante 5 minutos en la posición de fuego alto para quemar la grasa de la cocción anterior.
- Controle continuamente la cocción de los alimentos para evitar incendios por grasa y llamaradas.
- El cortar el exceso de grasa de la carne reducirá los fuegos de grasa y las llamaradas. Cocine la carne con mucha grasa en cantidades más pequeñas sobre la llama indirecta en el ajuste bajo.
- Asegúrese de seguir las instrucciones en la sección titulada "Cuidado, Mantenimiento y Limpieza".

Cuidado, Mantenimiento y Limpieza

NOTA PARA EVITAR DAÑOS QUE ANULARÁN LA GARANTÍA:

- No utilice ollas, sartenes, hornos, etc., en este aparato.
- No utilice este aparato sobre una hoguera u otro tipo de fuego abierto.
- No deje nunca el aparato sobre un quemador encendido sin alimentos ardiendo durante mucho tiempo para evitar el sobrecalentamiento. Sugerimos disponer de 5 minutos para el período de precalentamiento inicial. De lo contrario, el aparato se dañará.
- Utilice esta plancha solo en el aparato Coleman® para el que ha sido diseñada.

PLANCHA

La plancha puede limpiarse inmediatamente después de terminar de cocinar y tras apagar el aparato. Utilice una manopla para barbacoa y frote la plancha con un paño húmedo. Si se deja enfriar la plancha, la limpieza del aparato y de la plancha será más fácil si se saca del aparato y se limpia con un detergente suave.

⚠ PRECAUCIÓN

Toda la limpieza y el mantenimiento deben realizarse solo cuando el aparato esté frío y con el suministro de combustible cerrado en la bombona. Las bombonas de propano desechables deben separarse de la plancha durante la limpieza.

Materiales de Limpieza Sugeridos:

- Detergente líquido suave para lavar platos
- Agua caliente
- Cepillo de alambre
- Clip para papel
- Paño de limpiar de nilón
- Cepillo con cerdas de cobre suave
- Espátula para enmasillar
- Raspador

Limpieza de los Componentes:

- QUEMADOR: Limpie con un cepillo de alambre la corrosión en el exterior del quemador. Limpie los orificios de gas obstruidos con un clip para papel extendido. Reemplace todo quemador corroído o dañado que pueda emitir exceso de gas.
- PLANCHA: limpie la plancha con un jabón suave y agua caliente. Elimine los residuos resistentes con un limpiador suave o un cepillo para fregar. NO utilice un limpiador comercial para hornos.
- INTERIOR de la plancha: retire la plancha. Raspe el lateral con herramientas y elimine el exceso de grasa y residuos de cocción.
- BANDEJA DE GRASA: retire la grasa y limpie la bandeja de grasa con jabón suave y agua caliente. NO utilice un limpiador comercial para hornos.

Sazonar la plancha:

Importante: sazone su aparato cada vez que lo utilice.

El sazonamiento ayuda a prolongar la vida de su aparato, hace que la plancha sea antiadherente y ayuda a prevenir la oxidación.

- Herramientas necesarias para sazonar:
- Rasqueta o espátula de metal
- Aceite de cocina, como aceite vegetal o aceite de oliva virgen extra
- Toallas de papel
- Piedra de barbacoa o lana de acero
- Aceite de acabado, como aceite de linaza

⚠ ATTENTION

NO utilice aceite de maíz, ya que contiene un alto nivel de azúcar, que puede caramelizarse y quemarse en la superficie.

Primer uso

1. Encienda el aparato.
2. Mantenga los quemadores encendidos y (A FUEGO ALTO) durante 15 minutos.
3. Apague el aparato.
4. Deje que el aparato se enfríe, pero aún esté ligeramente caliente.
5. Limpie la plancha y las paredes interiores y exteriores con toallas de papel hasta que esté limpia.
Nota: Mientras se seca puede notar que la toalla puede tener alguna decoloración. Esto es normal.

6. Aplique aceite de acabado en la plancha y en las paredes interiores y exteriores y cubra uniformemente con toallas de papel enrolladas.
7. Repita este proceso al menos dos veces.

Después de cada uso

1. Apague el aparato.
2. Mientras el aparato está todavía caliente, raspe suavemente todos los restos de comida con una rasqueta.
3. Limpie la plancha y las paredes interiores y exteriores con una toalla o papel de cocina.
4. Para los residuos de comida más resistentes:
 - a. Encienda el aparato.
 - b. Aplique aceite de cocina en la plancha.
 - c. Deje que el aceite “hierva” los restos de comida.
 - d. Repita los pasos 1 a 3.
 - e. Si es necesario, utilice una piedra de barbacoa y frote los residuos de comida para eliminarlos.
 - f. Continúe con las instrucciones para “Sazonar el aparato”.
5. Limpie la plancha y las paredes interiores y exteriores con toallas de papel hasta que esté limpia.
Nota: mientras se seca puede notar que la toalla tiene alguna decoloración. Esto es normal.
6. Aplique aceite de acabado en la plancha y en las paredes interiores y exteriores y cubra uniformemente con toallas de papel enrolladas.
7. Encienda el aparato.
8. Mantenga los quemadores encendidos y (A FUEGO ALTO) durante 15 minutos o hasta que el aceite de acabado empiece a humear.
9. Apague el aparato.
10. Repita los pasos 6-9 un mínimo de 2 veces más.

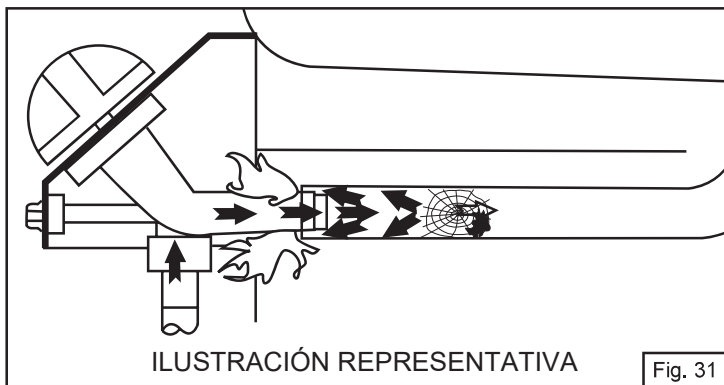
Reacondicionamiento de la plancha

1. Si el aparato está apagado, vuelva a encenderlo. Mantenga los quemadores encendidos durante 10 minutos. Luego apague el aparato.
2. Si el aparato está encendido, apague el aparato.
3. Mientras el aparato está todavía caliente, utilice una rasqueta o una espátula metálica para eliminar todo el óxido y los restos de comida que pueda de la plancha y de las paredes interiores y exteriores.
4. Aplique una cantidad abundante de aceite de cocina en la plancha.
5. Con una piedra de barbacoa, frote la plancha. Aplique más aceite de cocina según sea necesario.
6. Limpie la plancha y las paredes interiores y exteriores con toallas de papel.
7. Repita los pasos 3-5 hasta que las toallas de papel no muestren más óxido.
8. Aplique aceite de acabado en la plancha y en las paredes interiores y exteriores y cubra uniformemente con toallas de papel enrolladas.
9. Encienda el aparato.
10. Mantenga los quemadores encendidos y (A FUEGO ALTO) durante 15 minutos o hasta que el aceite de acabado empiece a humear.
11. Apague el aparato.
12. Repita los pasos 7-10 hasta que la superficie tenga un bonito color oscuro.

Limpieza del Venturi

⚠ ADVERTENCIA

Los nidos de arañas o el lodo de avispas dentro del venturi pueden causar un fuego en la válvula. Si ocurre un fuego, apague inmediatamente el suministro de gas cerrando la válvula del cilindro de L.P. (vea la ilustración representativa en la Fig. 31).



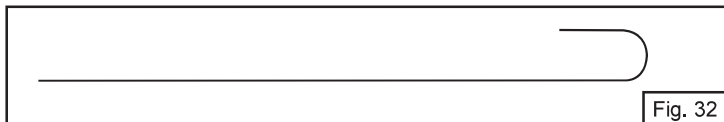
Nota:

Las arañas y los insectos pequeños pueden tejer telarañas y construir nidos en el interior de los tubos venturi. Esto ocurre especialmente al finalizar el verano y en otoño, antes de que haga frío, cuando las arañas están más activas. Estos nidos pueden obstruir el paso de gas y causar un incendio en la perilla del quemador o a su alrededor. Un incendio de este tipo puede causar lesiones al operador y graves daños al aparato. Para ayudar a prevenir una obstrucción y asegurar una salida de calor completa, limpie e inspeccione a menudo los tubos venturi (una o dos veces al mes).

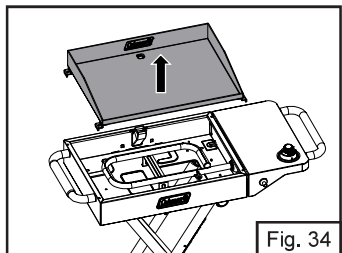
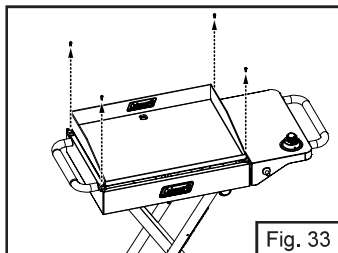
NOTA: Presión de agua o de aire normalmente no limpiará una telaraña.

Pasos Para Limpiar El Venturi:

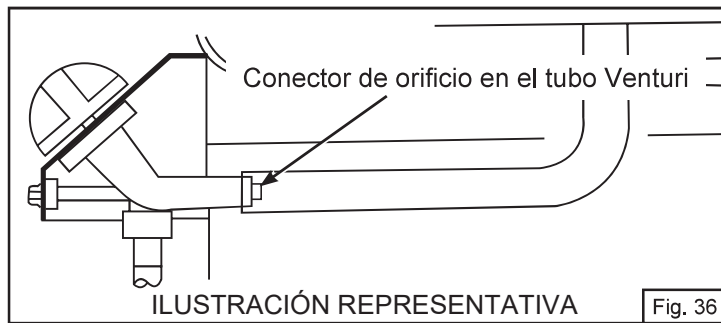
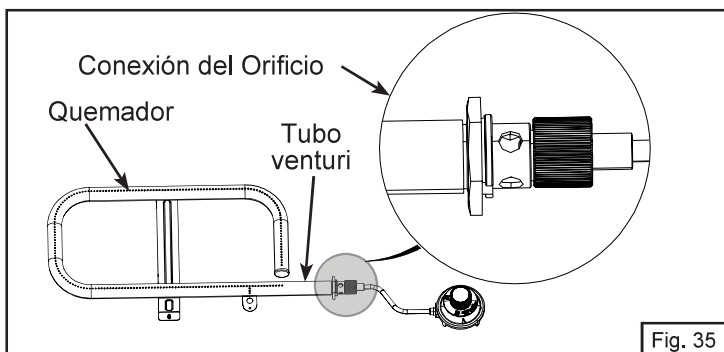
1. Para quitar las obstrucciones mencionadas arriba, use un accesorio de cepillo flexible para venturi o doble un extremo de un alambre largo flexible de 20 pulgadas (.5 metros) haciéndole un pequeño gancho tal como el que se muestra en la Fig. 32.



2. Retire los tornillos y la plancha y apártelos. (Fig. 33 y Fig. 34)



3. Examine si en la parte interna del extremo inferior del tubo venturi hay nidos, telarañas o suciedad. Límpiela como se indica en el Paso 1, Fig. 32.
4. Inspeccione y limpie los quemadores si fuera necesario.
5. Vuelva a colocar el quemador y las abrazaderas y coloque el quemador en la posición operativa correcta.
6. Asegúrese de que los adaptadores del orificio estén dentro del tubo venturi y luego apriete todos los tornillos autorroscantes. (Fig. 35 y Fig. 36)



Transporte y Almacenaje

⚠ AVERTISSEMENT

- Un choque con el aparato, como con cualquier objeto metálico, podría causar lesiones. Tenga cuidado al mover un aparato de gas portátil.
- En caso de lluvia, nieve, granizo, aguanieve u otras formas de precipitación mientras se cocina con aceite o grasa, cubra inmediatamente el recipiente de cocción y cierre los quemadores del aparato y el suministro de gas. No intente mover el aparato ni el recipiente de cocción.
- No mueva el aparato cuando esté en uso. Deje que el recipiente de cocción se enfríe hasta 45 °C (115 °F) antes de moverlo o almacenarlo.

⚠ DANGER

No ponga la plancha en modo de almacenamiento o de viaje inmediatamente después de su uso. Deje que la plancha se enfríe al tacto antes de moverla o guardarla. Si no lo hace, podría producirse un incendio que provocaría daños materiales, lesiones personales o la muerte”.

Traslado del aparato:

- Retire la bombona de propano antes de moverlo, está prohibido retirarla mientras el aparato esté encendido o caliente.
- Limpie la bandeja de grasa antes de mover el aparato para evitar derrames.
- Pliegue el aparato antes de moverlo.
- Mueva el aparato lentamente. NO corra con el aparato detrás de usted; podría golpearle por detrás y causarle lesiones.

Después de mover el aparato:

- Compruebe todas las conexiones de gas para ver si hay fugas que puedan producirse por el movimiento.
- Compruebe los tubos venturi para asegurarse de que siguen sobre los orificios.

Pasos a seguir antes de guardar el aparato:

- Limpie el aparato, incluida la bandeja de grasa.
- Cubra el quemador ligeramente con aceite de cocina para retardar la oxidación.
- Solo para uso en el exterior. Si el aparato se almacena en el interior, retire la bombona en el exterior. Si se deja al aire libre, retire la bombona y cubra el aparato para protegerlo de la intemperie. Las cubiertas del aparato pueden adquirirse en un distribuidor o fabricante de aparatos.

Solución de Problemas

Problema: el aparato no se enciende al presionar el botón de encendido o la llama del quemador está incompleta.

Posibles Causas y Soluciones:

1. Falta de combustible. Compruebe y vea que el cilindro tenga combustible.
2. Asegúrese de que el quemador esté apagado. Espere hasta cuatro segundos para que se encienda el gas.
3. Si el quemador se enciende con fósforo en lugar de con el encendedor, compruebe la posición del electrodo de cerámica cerca del quemador, la condición del alambre del encendedor y sus conexiones. Realice la prueba del encendedor y reemplace cualquier de las partes dañadas.
4. Compruebe por telarañas o nidos de insectos en el venturi y limpie el venturi.
5. Compruebe por desalineamiento del venturi en los orificios. Coloque el venturi sobre los orificios.
6. Los puertos, los orificios o la perilla del quemador están obstruidos. Limpie los componentes.
7. Avería del regulador; es necesario reemplazar la parrilla.
8. Asegúrese que el regulador y el cilindro están ensamblados correctamente. Vea la sección titulada "Instalación de Cilindros Desechables de 1 libra (.45 kg.)".

Problema: Llama Amarilla.

Posibles Causas y Soluciones:

1. Compruebe por telarañas o nidos de insectos en el venturi y limpie el venturi.
2. El nuevo quemador puede tener el residuo de aceite el cual se que quemará.
3. Limpie cualquier residuo de comida, grasa o sales para condimentar sobre el quemador.
4. El venturi puede estar desalineado y necesita estar alineado sobre el orificio.

Problema: La llama se apaga en el ajuste bajo o tiene una distribución de calor desigual.

Posibles Causas y Soluciones:

1. Compruebe por telarañas o nidos de insectos en el venturi y limpie el venturi.
2. El aparato frío necesita ser precalentado durante 5 minutos en la posición de fuego alto.
3. El venturi puede estar desalineado y necesita estar alineado sobre los orificios.
4. El tiempo frío y ventoso le obligará a alejar el aparato del viento.
5. Falta de combustible. Compruebe y vea que el cilindro tenga combustible.

Problema: Parrilla demasiado caliente.

Posibles Causas y Soluciones:

1. Llamadas excesivas las cuales requieren el mantenimiento descrito en la sección titulada "EN CASO DE UN FUEGO DE GRASA".
2. Un orificio o regulador dañado el cual requiere ser reemplazado con piezas autorizadas por la fábrica.
3. La acumulación de grasa en el interior del aparato requerirá la limpieza y el vaciado de la bandeja de grasa.
4. Si está usando un ajuste excesivamente alto, seleccione una temperatura más baja para cocinar.

Problema: Fuego en cualquier conexión.

Posibles Causas y Soluciones:

Cierre INMEDIATAMENTE el mando de control y deje que el aparato se enfríe.

1. Hay una fuga de gas por una conexión defectuosa. Apriete las conexiones con una llave ajustable y reemplace las piezas dañadas. Realice una prueba de fugas en todas las conexiones antes de volver a cocinar en el aparato.

Problema: Llama detrás del panel de control o del área de la perilla de control.

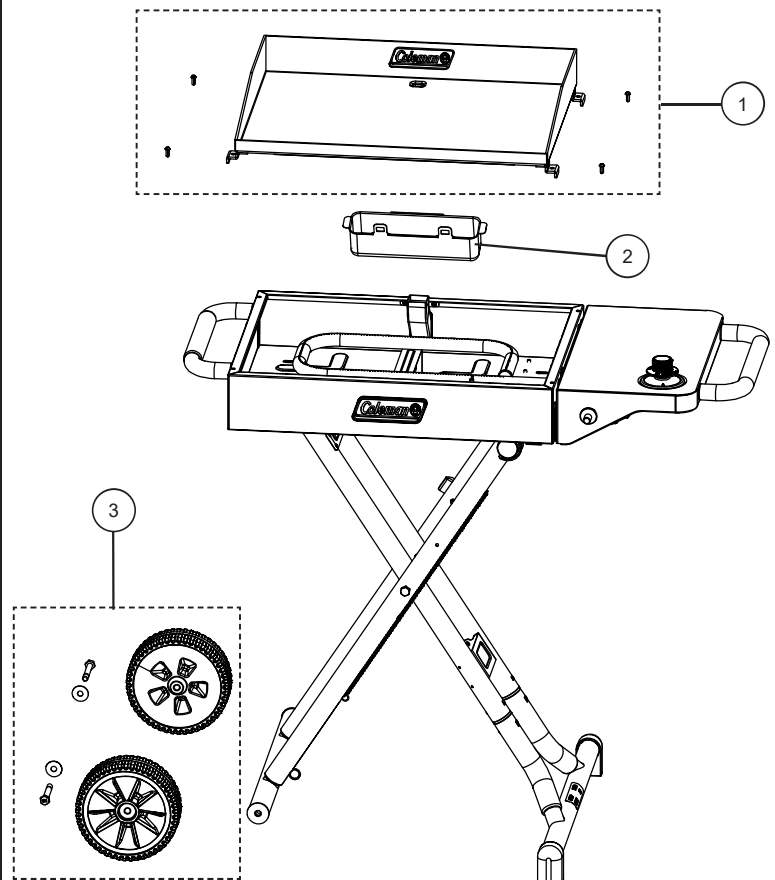
Posibles Causas y Soluciones:

Cierre INMEDIATAMENTE el mando de control y deje que el aparato se enfríe.

1. Compruebe por telarañas o nidos de insectos en el venturi y limpie el venturi.
2. Hay una fuga de gas por una conexión defectuosa. Apriete a mano las conexiones y reemplace las piezas dañadas. Realice una prueba de fugas en todas las conexiones antes de volver a cocinar en el aparato.
3. El venturi puede estar desalineado y necesita estar alineado sobre los orificios.

Lista de piezas de reemplazo — Serie CM9917

- 1 2171572 PARRILLA DE REEMPLAZO PARA CM9917
- 2 2171574 PIEZA DE REPARACIÓN DE LA BANDEJA DE RASA DE LA PARRILLA
- 3 2171573 RUEDA DE REEMPLAZO



Garantía Limitada de Tres Años

The Coleman Company, Inc. ("Coleman") garantiza que por un periodo de tres (3) años a partir de la fecha original de compra, este producto estará libre de defectos en material y construcción. Coleman, a su discreción, reparará o reemplazará este producto o cualquier componente del producto que esté defectuoso durante el periodo de la garantía. Cualquier reemplazo será hecho con un producto o componente nuevo o refabricado. Si el producto no se encuentra disponible, el reemplazo se podrá hacer con un producto similar de igual o mayor valor. Esta es su garantía exclusiva.

Esta garantía es válida para el comprador original desde la fecha de la compra inicial y no es transferible. Guarde su recibo de compra. Prueba de recibo de compra es requerido para obtener ejecución de la garantía. Los comerciantes de Coleman, centros de servicio o las tiendas al por menor que venden artículos Coleman® no tienen el derecho de alterar, modificar o cambiar de ninguna otra manera los términos y condiciones de esta garantía.

Lo Que Esta Garantía No Cubre

Esta garantía no cubre el desgaste normal de las piezas, piezas que no sean genuinas de Coleman® ni daño resultante por las siguientes causas; uso negligente o uso incorrecto del producto; uso comercial de este producto, uso contrario a las instrucciones de operación, desmontaje, reparación o alteración por cualquiera que no sea Coleman® o un centro de servicio autorizado. Además, la garantía no cubre Fuerzas Naturales tales como son fuego, inundaciones, huracanes y tornados. La garantía no es válida si el daño al producto es un resultado del uso de piezas que no sean piezas genuinas Coleman®.

COLEMAN NO SERA PESPONSABLE POR DEFECTOS CAUSADOS POR EL USO DE PIEZAS O SERVICIO NO AUTORIZADO. COLEMAN NO SERÁ RESPONSABLE POR NINGÚN DAÑO INCIDENTAL O CONSIGUIENTE OCASIONADO POR LA VIOLACIÓN DE CUALQUIER GARANTÍA O CONDICIÓN IMPLICADA O EXPRESADA. CON EXCEPCIÓN AL LIMITE DE LO QUE PROVEE LA LEY APLICABLE, CUALQUIER GARANTÍA IMPLICADA DE COMERCIO O ADAPTACIÓN PARA UN USO EN PARTICULAR ES LIMITADA EN SU DURACIÓN A LA DURACIÓN DE LA GARANTÍA ARRIBA MENCIONADA. ALGUNOS ESTADOS, PROVINCIAS O JURISDICCIONES NO PERMITEN LA EXCLUSIÓN O LIMITACIÓN DE DAÑOS INCIDENTALES O CONSIGUIENTES O LIMITACIONES REFERENTE A CUÁNTO UNA GARANTÍA LIMITADA DEBE DURAR, POR LO TANTO LAS LIMITACIONES O EXCLUSIONES ARRIBA MENCIONADAS PUEDE QUE NO SEAN APLICABLES A USTED. ESTA GARANTÍA LE PROVEE DERECHOS LEGALES EXPECÍFICOS, Y ADEMÁS PUEDE QUE USTED TENGA OTROS DERECHOS QUE VARÍAN DE ESTADO A ESTADO O DE PROVINCIA A PROVINCIA.

Como Obtener Servicio de Garantía

Su producto debe estar en garantía para obtener servicio de garantía. Si su producto presenta defectos y está dentro del periodo de garantía, comuníquese con nosotros al 1-800-835-3278 (TDD 1-316-832-8707) para recibir una autorización de devolución. No devuelva el producto a Coleman sin autorización. Se le indicará colocar una etiqueta en el producto con su nombre, dirección, número de teléfono diurno y una descripción del problema. Incluya una copia del recibo original de compra. Empaque cuidadosamente el producto y envíelo asegurado por UPS, FedEx Ground o Servicio de paquetes postales con el envío y el seguro prepagados a:

Para productos comprados en los Estados Unidos:

The Coleman Company, Inc.
3600 North Hydraulic
Wichita, KS 67219 U.S.A.

Para productos comprados en Canada:

Newell Brands Canada ULC
20B Hereford Street
Brampton, ON L6Y 0M1

El costo del transporte del producto a Coleman para el servicio de garantía es responsabilidad del comprador.

No envíe productos con combustible en los tanques, o con cilindros de propano desechables.

NO DEVUELVA ESTE PRODUCTO AL LUGAR DONDE LO COMPRO.

Si usted tiene alguna pregunta sobre esta garantía favor de llamar al 1-800-835-3278 o al TDD 1-316-832-8707 en los Estados Unidos o al 1-800-387-6161 en Canadá.

Para Garantía, Servicio y Partes



Localice su número de modelo y número de serie que se encuentran en la etiqueta en la parrilla.







The Coleman Company, Inc. • 3600 North Hydraulic • Wichita, KS 67219 U.S.A.

1-800-835-3278 TDD: 1-316-832-8707

www.coleman.com

© 2022 The Coleman Company, Inc. All rights reserved. Coleman®,  and , are registered trademarks and InstaStart™ is a trademark of The Coleman Company, Inc.

© 2022 The Coleman Company, Inc. Tous droits réservés. Coleman®,  et , sont des marques déposées alors que InstaStart™ est une marque de commerce de The Coleman Company, Inc.

© 2022 The Coleman Company, Inc. Todos los derechos reservados. Coleman®,  y , son marcas registradas y InstaStart™ es una marca de la compañía The Coleman Company, Inc.