

IMPORTANT SAFEGUARDS

When using electrical appliances, basic safety precautions should always be followed to reduce the risk of fire, electric shock, and/or injury to persons including the following:

- Read all instructions before using this product.
- ⚠ This appliance generates heat during use. Do not touch hot surfaces. Use handles or knobs. Always protect your hands with non-slip oven mitts or similar.
- To protect against electric shock, do not place or immerse cord, plugs, or appliance in water or other liquid.
- This appliance is not to be used by children or by persons with reduced physical, sensory or mental capabilities.
- Close supervision is necessary when any appliance is used near children. Children should not play with the appliance.
- Unplug from outlet when not in use, before putting on or taking off parts and before cleaning. Allow to cool before putting on or taking off parts, and before cleaning. To disconnect, turn any control to OFF, then unplug power cord from outlet. Do not disconnect by pulling on cord. Always grasp the plug and pull to disconnect.
- Do not operate any appliance with a damaged cord or plug or after the appliance malfunctions, or has been damaged in any manner. Do not attempt to replace or splice a damaged cord. Return appliance to the manufacturer (see warranty) for examination, repair or adjustment.
- The use of accessory attachments not recommended by the appliance manufacturer may cause injuries.
- Do not use outdoors or for commercial purposes.
- Do not let cord hang over edge of table or counter, or touch hot surfaces.
- Do not place on or near wet surfaces, or heat sources such as a hot gas or electric burner, or in a heated oven.
- Extreme caution must be used when moving an appliance or removing a pan, containing hot oil or other hot liquids. Always protect your hands with non-slip oven mitts or similar.
- Do not use appliance for other than intended use. Misuse can cause injuries. Intended for household countertop use only. Keep 6 inches (152 mm) clear from the wall and on all sides. Always use appliance on a dry, stable, level surface.
- Oversize foods or metal utensils must not be inserted in a toaster-oven as they may create a fire or risk of electric shock.
- A fire may occur if the toaster-oven is covered, touching or near flammable materials, including curtains, draperies, towels, walls, and the like, when in operation. Do not store any item on top of the appliance when in operation. Do not clean with metal scouring pads. Pieces can break off the pad and touch electrical parts, creating a risk of electric shock.
- Extreme caution should be exercised when using containers constructed of materials other than metal or glass.
- Do not store any materials, other than manufacturers recommended accessories, in this oven when not in use.
- Do not place any of the following materials in the oven: paper, cardboard, plastic, or any materials that may catch fire or melt.

Preheating the Oven

Place oven rack into the desired position before heating the oven. (See "Positioning Rack" Section)

Push bake button once.

Push the temperature +/- button to set desired temperature.

Push the Timer +/- keys until seven minutes is displayed.

Push the Start button.

To Use the Bake Function

Place oven rack into the desired position before heating the oven. (See "Positioning Rack" Section)

Arrange food on the wire rack or in the baking pan.

Push the Bake button once. Push temperature +/- key to set desired temperature.

Push Timer +/- button. Use the +/- keys to select desired time.

Push the Start button.

Interior light turns on when timer is on. At the end of cooking cycle the light turns off automatically.

NOTE – Both heating elements will cycle ON and OFF to maintain the desired temperature.

When baking is completed, open door fully and remove food carefully with oven mitt.

To Use the Convection Bake Function

Place oven rack into the desired position before heating the oven. (See "Positioning Rack" Section)

When you select the Convection Bake the convection fan will turn on and circulate air allowing the food to cook evenly and faster.

Arrange food on the wire rack or in the baking pan.

Push the Convection Bake button. Use the +/- keys to select desired temperature.

Push the Timer button. Use the +/- keys to select desired time.

Push the Start button.

Interior Light turns on when timer is on. At the end of the cooking time a bell signal sounds, and the oven and light turn off automatically.

NOTE – Both heating elements will cycle ON and OFF to maintain the desired temperature.

When baking is completed, open door fully and remove food carefully with oven mitt.

FAQs About Convection Baking

What is Convection?

Answer: In your Countertop Oven there is a built in fan that circulates the hot air in the oven chamber to better heat the food.

How do I adjust the time for Convection?

Answer: On average, convection will shorten the cooking time by 30% but it varies by food. It is suggested to go with a shorter cooking time to start with and then add time if it is needed.

What are the best foods to use with Convection?

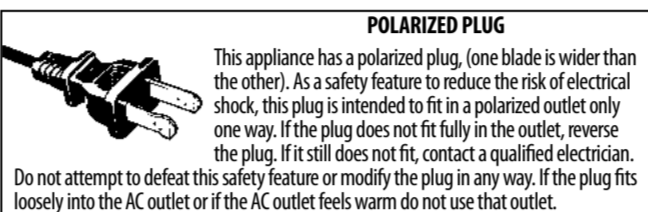
Answer: While a shorter cook time is often desirable, bake goods in particular benefit from convection cooking as the circulating air keeps oven temperature consistent throughout.

- Do not cover crumb tray or any part of the oven with metal foil. This will cause overheating of the oven.
- Empty the crumb tray after each use.
- The glass door is made of tempered glass. Always inspect the glass door for chips, cracks or any other damage. Do not use the countertop oven if the glass door is damaged, as the glass may shatter during use.
- Do not use with a programmer, timer, wireless plug adapter or outlet that allows control remotely, or connect to a circuit that is regularly switched on and off by the utility.

SAVE THESE INSTRUCTIONS

HOUSEHOLD USE ONLY

North American models with polarized plugs:



POWER CORD INSTRUCTIONS:

A short power-supply cord or detachable power-supply cord is provided to reduce risks resulting from becoming entangled in or tripping over a longer cord. Longer detachable power-supply cords or extension cords are available and may be used if care is exercised in their use. If a long detachable power-supply cord or extension cord is used:

- The marked electrical rating of the cord set or extension cord should be at least as great as the electrical rating of the appliance;
- The cord should be arranged so that it will not drape over the countertop or tabletop where it can be pulled on by children or tripped over unintentionally; and
- If the appliance is of the grounded type, the cord set or extension cord should be a grounding-type 3-wire cord.

Do not pull, twist or otherwise abuse the power cord.

NOTICES

- Some countertop and table surfaces are not designed to withstand the prolonged heat generated by certain appliances. Do not set the heated unit on a finished wood table. We recommend placing a hot pad or trivet under your countertop oven to prevent possible damage to the surface.
- During initial use of this appliance, some slight smoke and/or odor may be detected. This is normal with many heating appliances and will not recur after a few uses.

To Use the Broil Function

Place oven rack into the desired position before heating the oven.

(See "Positioning Rack" Section)

Place broil rack in oven pan to make broiler pan.

Arrange food on broiler pan.

Place broiler pan on oven rack.

Close the door to the first notch, leaving approximately a 3 inch gap at top.

Push the Broil button.

Push Timer button. Use +/- keys to select the desired time.

Push the Start button.

NOTE – The top heating element will cycle ON and OFF to maintain desired temperature.

When broiling is completed, open door fully and remove food carefully with oven mitt

WARNING: DO NOT LEAVE COUNTERTOP OVEN UNATTENDED.

To Use the Toast Function

Place oven rack into the desired position before heating the oven.

(See "Positioning Rack" Section)

NOTE – Different types of bread require different settings. Lighter breads and waffles require a lighter setting. Darker breads, muffins, and English muffins require a darker setting.

Arrange food on the wire rack.

Push the Toast button. Use +/- keys to select Toast Shade.

Time is set automatically based on the shade selection.

Press the Start button.

When toasting is completed, open door fully and remove food carefully with oven mitt.

To Use the Pizza Function

Place oven rack into the desired position before heating the oven.

(See "Positioning Rack" Section)

Arrange pizza on the wire rack.

Push the Pizza button and 20:00 default time will appear. Use timer +/- keys to adjust the time as desired. Push the Start button.

NOTE – The Pizza function temperature is set at 400°F and cannot be adjusted.

If different temperature is desired, cancel Pizza function and use Bake function.

Defrosting Function

When defrosting do not preheat oven. Temperature Control is already set to 150°F.

Push the defrost button. Use +/- keys to adjust time. Allow 15 to 20 minutes per side for meats or fish to defrost. Always cook food promptly after thawing. Push the Start button.

Positioning Rack

To accommodate a wide variety of foods, the oven has two rack positions. (See Figure 5) Positioning of the rack will depend on the size of the food and desired browning. Before removing the rack, allow the unit to cool.

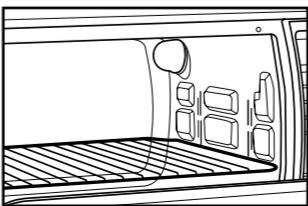


FIGURE 5

Welcome

Congratulations on your purchase of an OSTER® Countertop Oven! If you require service on your OSTER® Countertop Oven, do not return to place of purchase. Please contact us at www.oster.com or 1.800.334.0759.

Features of Your Countertop Oven

(See Figure 1)

- Removable Wire Rack
- Interior Light
- Time Display
- Control Buttons
- Two Rack Positions
- Easy Clean Interior Walls
- Glass Door
- External Removable Crumb Tray
- Baking Pan and Broiling Rack

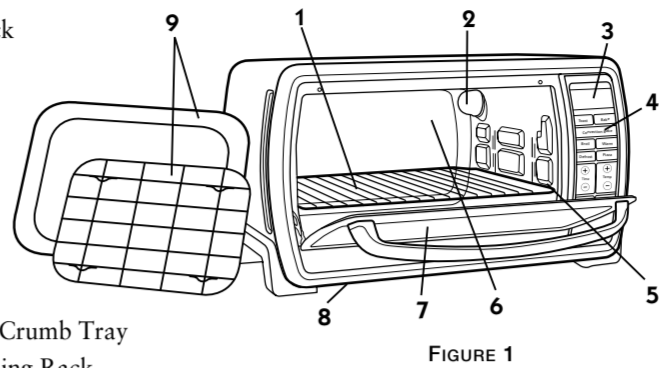


FIGURE 1

Control Buttons

Function Buttons – (See Figure 2)

Oven – Bake, Convection Bake & Broil.

Toast – Select to toast bread, bagels, etc.

Pizza – Select to bake 9-12" pizza.

Defrost – Select to defrost foods.

+/- Timer/Temp – Use this button to change between time and temperature when Bake, Convection Bake or Broil have been selected.

Clock – Sets the Oven Clock.

Light – Turns on Interior Light.

Stop/Cancel – Stops heating or cancels function.

Start – Starts baking/cooking process.

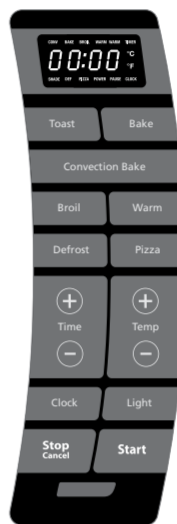


FIGURE 2

Preparing To Use Your Countertop Oven for the First Time

If you are using your countertop oven for the first time, please be sure to:

Remove any stickers from the surface of the oven.

Open oven door and remove all printed documents and paper from inside the countertop oven.

Clean the rack, tray, and pan with hot water, a small amount of dishwashing liquid and a non-abrasive sponge or cleaning pad.

CAUTION: DO NOT IMMERS THE BODY OF THE UNIT IN WATER.

Dry the unit thoroughly before using.

Select a location for the countertop oven. The location should be in an open area on a flat counter where the plug will reach an outlet.

Plug the countertop oven into a 120 Volt AC electrical outlet.

The heating elements are designed to work efficiently and maintain a precise temperature.

You may not see the elements glowing, key are working properly.

To Open the Oven Door:

Step 1: Grab the center of the handle underhanded with fingertips (See Figure 3).

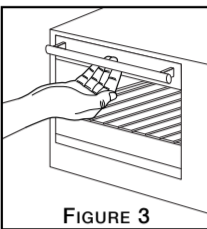


FIGURE 3

Step 2: Pull down the oven door carefully (See Figure 4).

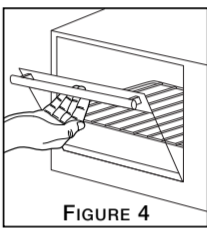


FIGURE 4

CAUTION: This appliance generates heat during use. Do not touch hot surfaces. Always use handles or knobs per above instructions.

Using Your Countertop Oven

Setting the Clock

Press the Clock button. The clock will flash.

Use the timer (-) keys to set time. Press the Clock button again.

Use the +/- keys to set the minutes.

Push the Clock or Start button and the time will be set.



User Manual

Manual de Instrucciones

6-Slice Counter Top Oven Horno de mostrador de 6 rebanadas

MODEL/MODELO **TSSTVMNDG**



Visit us at www.oster.com

P.N. 137149 Rev. B

English-5

English-6

English-7

English-8

