

## TROUBLESHOOTING

## TROUBLESHOOTING

If your heater fails to operate:

- Make sure the electrical outlet or circuit breaker is working.
- Check for obstructions. If you find an obstruction turn the heater OFF, and unplug the unit. Carefully remove the obstruction and follow the reset instructions.
- The temperature may be set too low. Turn the Thermostat Control to a higher temperature level until the heater restarts.
- Make sure to follow the OPERATING INSTRUCTIONS to turn on the heater and set the digital thermostat to your precise comfort level.
- Timer has elapsed. Start Time mode will automatically turn OFF after 30 minutes.
- Press the power button so that power light ring illuminates.
- Once the clock is set, only the power ring signifies that the heater buttons (other than the power button) can be used.

**Please DO NOT attempt to open or repair the heater. Please see the Warranty for Service Instructions.**

If you have any questions regarding your product or would like to learn more about other Sunbeam® products, please contact our Consumer Service Department at 1-888-264-9669 or visit our website at [www.sunbeam.com](http://www.sunbeam.com).

## WARRANTY INFORMATION

## 1 YEAR LIMITED WARRANTY

Sunbeam Products, Inc. doing business as Jarden Consumer Solutions or if in Canada, Sunbeam Corporation (Canada) Limited doing business as Jarden Consumer Solutions (collectively "JCS") warrants that for a period of one year from the date of purchase, this product will be free from defects in material and workmanship. JCS, at its option, will repair or replace this product or any component of the product found to be defective during the warranty period. Replacement will be made with a new or remanufactured product or component. If the product is no longer available, replacement may be made with a similar product of equal or greater value. This is your exclusive warranty. Do NOT attempt to repair or adjust any electrical or mechanical functions on this product. Doing so will void this warranty. This warranty is valid for the original retail purchaser from the date of initial retail purchase and is not transferable. Keep the original sales receipt. Proof of purchase is required to obtain warranty performance. JCS dealers, service centers, or retail stores selling JCS products do not have the right to alter, modify or any way change the terms and conditions of this warranty.

This warranty does not cover normal wear of parts or damage resulting from any of the following: negligent use or misuse of the product, use on improper voltage or current, use contrary to the operating instructions, disassembly, repair or alteration by anyone other than JCS or an authorized JCS service center. Further, the warranty does not cover: Acts of God, such as fire, flood, hurricanes and tornadoes.

**What are the limits on JCS's Liability?**

JCS shall not be liable for any incidental or consequential damages caused by the breach of any express, implied or statutory warranty or condition. Except to the extent prohibited by applicable law, any implied warranty or condition of merchantability or fitness for a particular purpose is limited in duration to the duration of the above warranty. JCS disclaims all other warranties, conditions or representations, express, implied, statutory or otherwise.

JCS shall not be liable for any damages of any kind resulting from the purchase, use or misuse of, or inability to use the product including incidental, special, consequential or similar damages or loss of profits, or for any breach of contract, fundamental or otherwise, or for any claim brought against purchaser by any other party.

Some provinces, states or jurisdictions do not allow the exclusion or limitation of incidental or consequential damages or limitations on how long an implied warranty lasts, so the above limitations or exclusion may not apply to you.

This warranty gives you specific legal rights, and you may also have other rights that vary from province to province, state to state or jurisdiction to jurisdiction.

**How to Obtain Warranty Service****In the U.S.A.**

If you have any question regarding this warranty or would like to obtain warranty service, please call 1-888-264-9669 and a convenient service center address will be provided to you.

**In Canada**

If you have any question regarding this warranty or would like to obtain warranty service, please call 1-888-264-9669 and a convenient service center address will be provided to you.

## WARRANTY INFORMATION

In the U.S.A., this warranty is offered by Sunbeam Products, Inc. doing business as Jarden Consumer Solutions located in Boca Raton, Florida 33431. In Canada, this warranty is offered by Sunbeam Corporation (Canada) Limited doing business as Jarden Consumer Solutions, located at 20 B Hereford Street, Brampton, Ontario L6Y 0M1. If you have any other problem or claim in connection with this product, please write our Consumer Service Department. **PLEASE DO NOT RETURN THIS PRODUCT TO ANY OF THESE ADDRESSES OR TO THE PLACE OF PURCHASE.**

© 2008 Sunbeam Products, Inc. doing business as Jarden Consumer Solutions. All Rights Reserved. Distributed by Sunbeam Products, Inc. doing business as Jarden Consumer Solutions, Boca Raton, Florida 33431.

Printed In China

## DIAGNOSTICO DE PROBLEMAS

## DIAGNÓSTICO DE PROBLEMAS

**Si su calefactor no funciona:**

- Asegúrese de que el tomacorriente o la llave térmica funcione correctamente.
- Verifique que no haya ninguna obstrucción. Si encuentra una obstrucción, apague el calefactor, y DESENCHUFELO. Quite cuidadosamente la obstrucción y siga el procedimiento para volver a funcionar la unidad.
- La temperatura establecida puede resultar demasiado baja. Coloque el Control de modo en un nivel de temperatura más alto hasta que el calefactor se reinicie.
- Asegúrese de seguir las INSTRUCCIONES DE FUNCIONAMIENTO para encender el calefactor y configurar el termostato digital a su nivel de comodidad.
- Ha transcurrido el intervalo del temporizador. El modo Hora de inicio se apagará automáticamente después de los 30 minutos.
- Pulse el botón de Encendido para que se ilumine el círculo luminoso de encendido.
- Una vez que se establece la hora, el círculo de encendido es el único que indica que pueden utilizarse los botones del calefactor (distintos al botón de Encendido).

**NO INTENTE ABRIR ni reparar el calefactor. Refiérase a las instrucciones de servicio en la garantía.**

Si tiene preguntas relacionadas con este producto o si está interesado en conocer otros productos Sunbeam®, póngase en contacto con nuestro Departamento de Servicio al Cliente: llame al 1 (888) 264-9669 o visite nuestro sitio web [www.sunbeam.com](http://www.sunbeam.com).

## INFORMACION DE LA GARANTIA

## GARANTÍA LIMITADA DE 1 AÑO

Sunbeam Products, Inc. operando bajo el nombre de Jarden Consumer Solutions, o en Canadá, Sunbeam Corporation (Canada) Limited operando bajo el nombre de Jarden Consumer Solutions, (en forma conjunta, "JCS"), garantiza que por un período de uno año a partir de la fecha de compra, este producto estará libre de defectos de materiales y mano de obra. JCS, a su elección, reparará o reemplazará este producto o cualquier componente del mismo que presente defectos durante el período de garantía. El reemplazo se realizará por un producto o componente nuevo o reparado. Si el producto ya no estuviera disponible, se lo reemplazará por un producto similar de valor igual o superior. Esta es su garantía exclusiva. No intente reparar o ajustar ninguna función eléctrica o mecánica de este producto. Al hacerlo eliminará esta garantía.

La garantía es válida para el comprador minorista original a partir de la fecha de compra inicial y la misma no es transferible. Conserve el recibo de compra original. Para solicitar servicio en garantía se requiere presentar un recibo de compra. Los agentes y centros de servicio de JCS o las tiendas minoristas que venden productos de JCS no tienen derecho a alterar, modificar ni cambiar de ningún otro modo los términos y las condiciones de esta garantía.

Esta garantía no cubre el desgaste normal de las piezas ni los daños que se produzcan como resultado de uso negligente o mal uso del producto, uso de voltaje incorrecto o corriente inapropiada, uso contrario a las instrucciones operativas, y desarme, reparación o alteración por parte de un tercero ajeno a JCS o a un Centro de Servicio autorizado por JCS. Asimismo, la garantía no cubre actos fortuitos tales como incendios, inundaciones, huracanes y tornados.

**¿Cuál es el límite de responsabilidad de JCS?**

JCS no será responsable de daños incidentales o emergentes causados por el incumplimiento de alguna garantía o condición expresa, implícita o legal.

Excepto en la medida en que lo prohíba la ley aplicable, cualquier garantía o condición implícita de comerciabilidad o aptitud para un fin determinado se limita, en cuanto a su duración, al plazo de la garantía antes mencionada. JCS queda exenta de toda otra garantías, condiciones o manifestaciones, expresa, implícita, legal o de cualquier otra naturaleza.

JCS no será responsable de ningún tipo de daño que resulte de la compra, uso o mal uso del producto, o por la imposibilidad de usar el producto, incluidos los daños incidentales, especiales, emergentes o similares, o la pérdida de ganancias, ni de ningún incumplimiento contractual, sea de una obligación esencial o de otra naturaleza, ni de ningún reclamo iniciado contra el comprador por un tercero.

Algunas provincias, estados o jurisdicciones no permiten la exclusión o limitación de los daños incidentales o emergentes ni las limitaciones a la duración de las garantías implícitas, de modo que es posible que la exclusión o las limitaciones antes mencionadas no se apliquen en su caso.

Esta garantía le otorga derechos legales específicos y es posible que usted tenga otros derechos que varían de un estado, provincia o jurisdicción a otra.

**Cómo solicitar el servicio en garantía****En los Estados Unidos**

Si tiene alguna pregunta sobre esta garantía o desea recibir servicio de garantía, llame al 1 (888) 264-9669 y podrá obtener la dirección del centro de servicio que le resulte más conveniente.

## INFORMACION DE LA GARANTIA

**En Canadá**

Si tiene alguna pregunta sobre esta garantía o desea recibir servicio de garantía, llame al 1 (888) 264-9669 y podrá obtener la dirección del centro de servicio que le resulte más conveniente.

En los Estados Unidos, esta garantía es ofrecida por Sunbeam Products, Inc. operando bajo el nombre de Jarden Consumer Solutions, Boca Raton, Florida 33431. En Canadá, esta garantía es ofrecida por Sunbeam Corporation (Canada) Limited operando bajo el nombre de Jarden Consumer Solutions, 20 B Hereford Street, Brampton, Ontario L6Y 0M1. Si usted tiene otro problema o reclamo en conexión con este producto, por favor escriba al Departamento de Servicio al Consumidor. **POR FAVOR NO DEVUELVIA ESTE PRODUCTO A NINGUNA DE ESTAS DIRECCIONES NI AL LUGAR DE COMPRA.**

© 2008 Sunbeam Products, Inc. operando bajo el nombre de Jarden Consumer Solutions. Todos los derechos reservados. Distribuido por Sunbeam Products, Inc. operando bajo el nombre de Jarden Consumer Solutions, Boca Raton, Florida 33431.

127604/9100020009839

SFH436UM08ESM3

Impreso en China

TRUSTED FOR OVER  
100 YEARS

Sunbeam®

bathroom  
Heater

SFH436



## Instruction Leaflet

PLEASE READ AND SAVE THESE IMPORTANT INSTRUCTIONS

CONFIANZA DESDE HACE  
100 AÑOS

Sunbeam®

Calefactor  
para baño

SFH436



## Folleto de instrucciones

LEA Y CONSERVE ESTAS IMPORTANTES INSTRUCCIONES

## PLEASE READ AND SAVE THESE IMPORTANT SAFETY INSTRUCTIONS

When using electrical appliances, basic safety precautions should always be followed to reduce the risk of fire, electric shock, and injury to persons, including the following:

1. Read all instructions before using the appliance.
2. To avoid fire or shock hazard, plug the appliance directly into a 120V AC electrical outlet.
3. The heater is hot when in use. To avoid burns, DO NOT let bare skin touch hot surfaces. If provided, use handles when moving this heater. Keep combustible materials, such as furniture, pillows, bedding, papers, clothes, and curtains at least 3 ft (0.9 m) from the front of the heater and keep them away from the sides and rear.
4. DO NOT run cord under carpeting. DO NOT cover cord with throw rugs, runners, or the like. Arrange cord away from traffic area and where it will not be tripped over.
5. Extreme caution is necessary when any heater is used by, or near children or invalids, and whenever the heater is left operating and unattended.
6. Always unplug the heater when not in use.
7. When unplugging, be sure to pull by the plug and not the cord.
8. DO NOT insert or allow foreign objects to enter any ventilation or exhaust opening as this may cause an electric shock or fire, or damage the heater.
9. DO NOT operate heater with a damaged cord or plug, or after the heater malfunctions, has been dropped or damaged in any manner. Return appliance to manufacturer for examination, electrical or mechanical adjustment, or repair.
10. A heater has hot and arcing or sparking parts inside. DO NOT use it in areas where gasoline, paint, or flammable liquids are used or stored.
11. Use appliance only for intended household use as described in this manual. Any other use not recommended by the manufacturer may cause fire, electric shock, or injury to persons. The use of attachments not recommended or sold by the manufacturer may cause hazards.
12. DO NOT use outdoors.
13. To prevent a possible fire, DO NOT block air intakes or exhaust in any manner. DO NOT use on soft surfaces, like a bed, where openings may become blocked.
14. To disconnect heater, turn controls to OFF, then remove plug from outlet.
15. This heater is not intended for use with an extension cord. Plug the cord directly into an appropriate wall receptacle.
16. If the heater will not operate, see specific instructions on Auto Safety Shut-off.
17. DO NOT attempt to repair or adjust any electrical or mechanical functions on this unit. Doing so will void your warranty. The inside of the unit contains no user serviceable parts. All servicing should be performed by qualified personnel only.
18. Discontinue use if plug or outlet is hot. It is recommended that the outlet be replaced if plug or outlet is hot to touch.

## PLEASE READ AND SAVE THESE IMPORTANT SAFETY INSTRUCTIONS

ALCI (Appliance Leakage Current Interrupter) SAFETY DEVICE: This device provides protection against electric shock due to ground fault currents by automatically shutting off the power. To test the operation of the ALCI Safety Device, switch the heater ON. Press the TEST button on the ALCI device attached to the plug end of the line cord. The heater and fan should stop operating and the Power light should be extinguished. Press the RESET button on the ALCI device to resume normal operation of the heater. This device should not be used on ON/OFF operation switch.

CAUTION: ALTHOUGH THIS DEVICE IS PROVIDED WITH PROTECTION WHICH REDUCES THE RISK OF ELECTRIC SHOCK, THIS PRODUCT SHOULD NEVER BE USED CARELESSLY NEAR WATER.

## FEATURES - OPERATIONS

### TECHNICAL SPECIFICATIONS

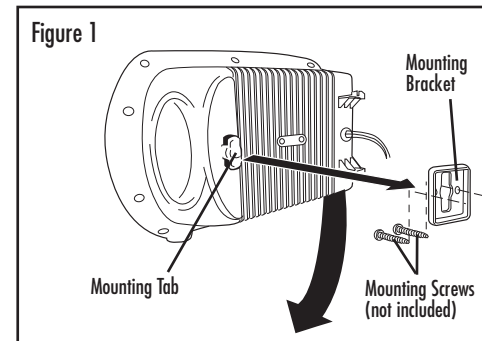
- Amps: 12.5
- Wattage: 1500W (+5% -10%)
- Working voltage: 120V AC/60Hz

### WALL MOUNT INSTALLATION INSTRUCTIONS

Your heater comes fully assembled and ready for immediate use. This heater also comes with a Wall Mount Bracket which allows you to mount the heater on wall.

#### Wall Mount Installation:

1. Carefully remove your heater and the Wall Mount Bracket from the box.
2. Secure the mounting bracket to the wall as shown. (See Figure 1)



3. Turn heater sideways and position the mounting tab on the back of the heater so it lines up with the mounting bracket.
4. Place mounting tab into the mounting bracket and rotate heater into the upright position to lock it in place.

**Please Note:** Due to the multitude of potential mounting surfaces, mounting screws are not included with this product. Please visit your local hardware store to determine which type of screw is best for your particular wall.

### OPERATING INSTRUCTIONS

1. Place heater on firm level surface.
2. Avoid overloading your circuit by not using other high wattage appliances in the same outlet.

Your heater is equipped with a digital thermostat that allows you to set your heater to your precise comfort level:

#### Power On/Off

**NOTE:** Once the time is set; the power ring is the only indicator that the unit is off and that the mode button will not function.

Press the **Power** Button to turn on the heater. LCD Display and Power Light Ring will illuminate. The LCD Display will show the current clock time and the Thermostat icon (°).

#### Mode Settings

Press the **Mode** Button to select your desired settings, the LCD Display will cycle through to show the below settings in sequence:

1. **Thermostat:** The Thermostat icon (°) and the current clock time will appear on the LCD Display. Turn the Thermostat Control to adjust the temperature level ranging from 85°F to 65°F. When the preset temperature is reached, the heater will shut off until the room temperature drops below the preset temperature, the heater will be switched on again to maintain the room at the preset temperature level.
2. **Fan Only Setting:** The Fan icon (🌀) and the current clock time will appear on the LCD Display. The heater will run continuously without heat output.
3. **Stay On Setting:** "Stay On" and the current clock time will appear on the LCD Display. The heater will run continuously at 1500W. To shut off the heater, you must press the Power Button (⏻) to turn the Power Light Ring off.

**NOTE:** It is normal for the heater to cycle on and off as to maintain the preset temperature. To prevent the heater from cycling, you need to raise the thermostat setting.

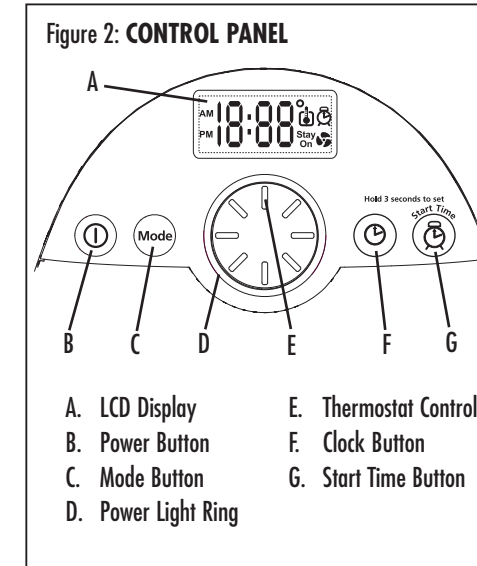
## FEATURES - OPERATIONS

**NOTE:** When the preset temperature is reached or when the heater is shut off, the fan will run for 10 seconds without heat. This cool down process ensures an accurate and consistent temperature reading.

**NOTE:** To shut the heater off at any time, press the Power (⏻) Button. The digital thermostat has memory, it will remember the last temperature setting before the heater is turned off. However, if the heater is unplugged, the digital thermostat will no longer remember the previous temperature setting, you have to reset the digital thermostat following the above instructions.

#### Clock - Set current Time

1. To program the heater to turn ON at a preset time, you must set the current time first, press and hold the **Clock** Button (🕒) for 3 seconds.
2. The hour digits on LCD Display will blink. Turn the Thermostat Control to adjust from 12 to 1, and switching between AM and PM.



**NOTE:** It is normal for the heater to cycle on and off as to maintain the preset temperature. To prevent the heater from cycling, you need to raise the thermostat setting.

3. Press the **Clock** Button (🕒) again until the minute digits blink. Turn the Thermostat Control to adjust from 00 to 59.
4. Press the **Clock** Button (🕒) again to confirm the current time is set on heater.

#### Start Time - Set Timer to turn heater ON

1. The **Start Time** button allows user to program the heater to turn ON at a preset time. The unit turns on in the "Stay On" setting and cannot be changed without powering the unit off. The heater will turn OFF automatically after 30 minutes.
2. To preset time, press and hold the **Start Time** Button (🕒) for 3 seconds.
3. The hour digits on LCD Display will blink. Turn the Thermostat Control to adjust from 12 to 1, and switching between AM and PM.
4. Press the Start Time Button until the minute digits blink. Turn the Thermostat Control to adjust from 00 to 59.
5. Press the **Start Time** (🕒) Button again to set the preset time.
6. Press and hold the **Start Time** Button (🕒) to activate the Timer feature. The icon (🕒) and the current clock time will appear on the LCD Display to confirm the Timer feature being activated.
7. To turn off the Timer feature, press and hold the **Start Time** Button (🕒) again until the icon (🕒) goes off.

**NOTE:** Timer can be set in any mode but will not engage if the unit is in an active mode (fan, stay on, therm).

**NOTE:** Modes cannot be changed without powering down the unit once the timer has been engaged.

**NOTE:** The Timer has memory to store the preset time, but you must re-activate the Start Time feature again to program the heater repeatedly at your preset time. For example, if you want your heater to pre-heat the room at a preset time every morning, you must press and activate the Start Time button every night before you go to sleep.

## CLEANING / MAINTENANCE AUTO SAFETY SHUT OFF

### CLEANING/MAINTENANCE

Always unplug the heater before cleaning and allow the heater to cool down.

1. Clean the unit with a soft cloth moistened with a mild soap solution.
2. NEVER use abrasive or flammable solvents to clean the unit.
3. After cleaning, be sure to completely dry the unit with a cloth or towel.
4. Store heater in a cool, dry location.
5. The manufacturer recommends that you store the unit in its original carton.

### AUTO SAFETY SHUT-OFF

This heater is equipped with a patented, technologically advanced, safety system that requires the user to reset the heater if there is a potential overheat situation. When a potential overheat temperature is reached, the system will automatically shut the heater off. It can only resume operation when the user resets the unit.

#### To Reset the Heater :

1. Unplug the heater and wait 30 minutes for the heater to cool down.
2. After 30 minutes, plug the heater in again and operate normally.

## LEA Y CONSERVE ESTAS IMPORTANTES INSTRUCCIONES DE SEGURIDAD

Para reducir el riesgo de incendios, descargas eléctricas y lesiones personales al utilizar electrodomésticos, siga siempre las precauciones básicas de seguridad, incluyendo las que se mencionan a continuación:

1. Lea completamente las instrucciones antes de utilizar el aparato.
2. Para evitar incendios o descargas eléctricas, enchufe el aparato directamente a un tomacorriente de 120V CA.
3. El calentador se calienta al usarlo. Para evitar quemaduras, NO toque las superficies calientes con la piel. Si existen, utilice las manijas para mover la unidad. Mantenga los materiales combustibles, como muebles, almohadones, sábanas, papeles, ropa y cortinas a por lo menos 3 pies (0,9m) de la parte delantera del calefactor y manténgalos alejados de los costados y de la parte de atrás.
4. NO instale el cable debajo de alfombras. NO cubra el cable con alfombrillas, tapetes o similares. Coloque el cable fuera de las zonas de tráfico y donde nadie se pudiera tropiezar con él.
5. Debe tener mucho cuidado cuando el calefactor es utilizado por, o cerca de niños o inválidos, y siempre que se deje el calefactor prendido y desatendido.
6. Siempre desenchufe el calefactor cuando no lo utilice.
7. Al desenchufarlo, asegúrese de tirar del enchufe y no del cable.
8. NO inserte o permita que ningún objeto extraño entre por las rejillas de ventilación o de salida ya que pueden ocasionar una descarga eléctrica o incendio, o dañar el calefactor.
9. NO utilice el calefactor si el cable o el enchufe están dañados o luego de una falla, se haya caído o haya sufrido cualquier tipo de daño. Devuelva el aparato al fabricante para su inspección, ajuste eléctrico o mecánico, o reparación.
10. Un calefactor tiene partes calientes y que pueden producir chispas en su interior. NO lo utilice en áreas donde se utiliza o se guarda gasolina, pintura o líquidos inflamables.
11. Utilice el aparato únicamente para el para el hogar indicado en este manual. Cualquier uso distinto al recomendado por el fabricante puede causar incendios, descargas eléctricas, o daños personales. El uso de accesorios o dispositivos no recomendados o vendidos por el fabricante puede generar riesgos.
12. NO utilice en el exterior.
13. Para prevenir la posibilidad de incendio, NUNCA tape la entrada o salida de aire. NO lo utilice sobre superficies blandas, como una cama, donde se pueden obstruir las aberturas.
14. Para desconectarlo, gire el control a la posición OFF, luego quite el enchufe del tomacorriente.
15. Este calefactor no debe utilizarse con un cable alargador. Enchufe el cable directamente en un tomacorriente de pared adecuado.
16. Si el calefactor no funciona, vea las instrucciones específicas del apagado automático de seguridad.
17. NO intente reparar o ajustar ninguna función eléctrica o mecánica de esta unidad. El hacerlo invalidará la garantía. La unidad no contiene partes reparables por el usuario. Toda reparación debe ser realizada únicamente por personal calificado.
18. Deje de usarlo si el cable o el enchufe se calienta. Se recomienda que reemplace el tomacorriente si el enchufe o el tomacorriente se calienta.

DISPOSITIVO DE SEGURIDAD ALCI (Interruptor de corriente de pérdida para electrodomésticos): Este dispositivo proporciona protección contra descargas eléctricas causadas por corrientes de falla a tierra desconectando automáticamente la alimentación. Para verificar el funcionamiento del dispositivo ALCI de Seguridad, encienda el calefactor. Presione el botón de TEST del dispositivo ALCI en el extremo del cable de alimentación donde está el enchufe. El calefactor y el ventilador deben apagarse, junto con la luz de encendido. Presione el botón RESET del dispositivo ALCI para volver a usar normalmente el calefactor. Este dispositivo no se debe usar como llave de encendido.

CUIDADO: A PESAR DE QUE ESTE DISPOSITIVO ESTÁ EQUIPADADO CON UNA PROTECCIÓN QUE REDUCE EL RIESGO DE DESCARGAS ELÉCTRICAS, ESTE PRODUCTO NUNCA DEBE USARSE SIN TENER CUIDADO CERCA DEL AGUA.

## CARACTERÍSTICAS Y FUNCIONAMIENTO

### LEA Y CONSERVE ESTAS IMPORTANTES INSTRUCCIONES DE SEGURIDAD

#### ESPECIFICACIONES TÉCNICAS

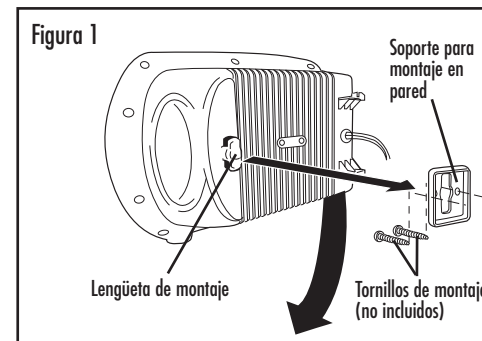
- Amperes: 12,5
- Potencia: 1500 W (+5% -10%)
- Voltaje de funcionamiento: 120v CA/60Hz

#### INSTRUCCIONES PARA INSTALARLO EN LA PARED

Si bien el calefactor viene completamente armado y listo para utilizarse inmediatamente, incluye además un soporte para montaje en pared.

#### Instalación del soporte para montaje en pared:

1. Abra la caja y saque el calefactor y el soporte para montaje en pared con cuidado.
2. Asegure la consola bien en la pared tal como se muestra. (Véase Figura 1)



3. Coloque el calefactor de costado y ubique la pestaña de montaje en la parte trasera del mismo, de modo que quede alineada con el soporte de montaje.

4. Coloque la pestaña de montaje dentro del soporte correspondiente y gire el calefactor hasta que quede derecho y se fije en su lugar.
- Por favor:** tenga en cuenta que debido a la gran variedad de posibles superficies de instalación, no se incluyen los tornillos para instalarlo. Por favor, vaya a la ferretería local para determinar qué tipo de tornillos es el mejor para su pared en particular.

#### INSTRUCCIONES DE USO

1. Coloque el calefactor sobre una superficie firme y nivelada.
2. Evite sobrecargar el circuito eléctrico evitando utilizar otro aparato de alta potencia en el mismo tomacorriente.

Su calefactor viene con un termostato digital que le permite regularlo con precisión a un nivel de temperatura confortable:

#### Encendido/Apagado

**NOTE:** Una vez que se establece la hora, el círculo de encendido es el único que indica que la unidad está apagada y que el botón de Modo no funcionará.

Pulse el botón de **Encendido** para encender el calefactor. Se iluminarán la pantalla LCD y el Círculo luminoso de encendido. En la pantalla LCD, aparecerá el icono de Termostato (°) y la hora actual.

#### Configuración de modo

Pulse el botón de **Modo** para seleccionar la configuración deseada; la pantalla LCD mostrará las siguientes opciones consecutivamente:

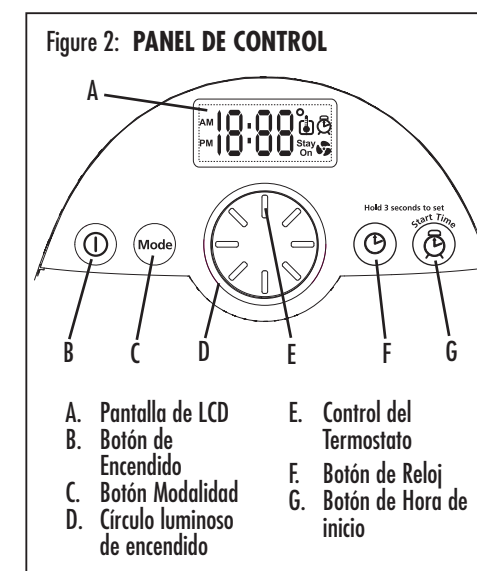
1. **Termostato:** En la pantalla LCD, aparecerá el icono de Termostato (°) y la hora actual. Gire el control del termostato para ajustar el nivel de temperatura entre 85°F y 65°F. Cuando se alcance la temperatura preestablecida, el calefactor se apagará hasta que la temperatura de la habitación descienda por debajo dicha temperatura y se volverá a encender para mantener la habitación en el nivel de temperatura preestablecida.

## CARACTERÍSTICAS Y FUNCIONAMIENTO

2. **Configuración Sólo ventilador:** En la pantalla LCD, aparecerá el icono de Ventilador (🌀) y la hora actual. El calefactor funcionará continuamente sin salida de calor.
3. **Configuración Permanecer encendido:** "Permanecer encendido" y la hora actual aparecerán en la pantalla LCD. El calefactor funcionará continuamente a 1500W. Para apagar el calefactor, debe pulsar el botón de Encendido (⏻) hasta que se apague el círculo luminoso de encendido.

**NOTE:** Es normal que el calefactor se encienda y se apague para mantener la temperatura preestablecida. Para evitar que el calefactor se encienda y se apague, debe aumentar el valor del termostato.

**NOTE:** Cuando se alcance la temperatura preestablecida o cuando el calefactor se apague, el ventilador funcionará durante 10 segundos sin calor. Este proceso de enfriamiento garantiza una lectura de temperatura precisa y constante.



**NOTE:** Para apagar el calefactor cuando lo desee, pulse el botón de Encendido (⏻) El termostato digital tiene memoria, por lo que recordará el último valor de temperatura antes de apagarse. Sin embargo, si el calefactor se desenchufa, el termostato digital ya no recordará el valor de temperatura anterior y deberá restablecerlo siguiendo las instrucciones anteriores.

#### Reloj - Establecer la hora actual

1. Para programar el calefactor a fin de que se encienda a una hora preestablecida, debe establecer primero la hora actual, además de pulsar y mantener pulsado el botón de **Reloj** (🕒) durante 3 segundos.
2. Los dígitos de la hora parpadearán en la pantalla LCD. Gire el control del termostato para ajustarlo de 12 a 1, y cambiar de AM a PM.
3. Pulse el botón de **Reloj** (🕒) nuevamente hasta que parpaddeen los dígitos de los minutos. Gire el control del termostato para ajustar de 00 a 59.
4. Pulse el botón de **Reloj** (🕒) nuevamente para confirmar que se haya establecido la hora actual en el calefactor.

#### Hora de inicio - Activar la función

1. El botón de **Hora de inicio** le permite al usuario programar el calefactor para encenderse a una hora preestablecida. La unidad se enciende en la configuración "Permanecer encendido" y no es posible modificarla sin apagar la unidad. El calefactor se apagará automáticamente después de 30 minutos.
2. Para preestablecer la hora, pulse y mantenga pulsado el botón de **Hora de inicio** (🕒) durante 3 segundos.
3. Los dígitos de la hora parpadearán en la pantalla LCD. Gire el control del termostato para ajustarlo de 12 a 1, y cambiar de AM a PM.
4. Pulse el botón de Hora de inicio hasta que parpaddeen los dígitos de los minutos. Gire el control del termostato para ajustar de 00 a 59.
5. Pulse el botón de **Hora de inicio** (🕒) nuevamente para determinar la hora preestablecida.

## LIMPIEZA Y MANTENIMIENTO APAGADO AUTOMÁTICO DE SEGURIDAD

6. Pulse y mantenga apretado el botón **Hora de inicio** (🕒) para activar la función Temporizador. Para activar la función Temporizador en cualquier configuración de Modo, pulse el botón de **Hora de inicio** (🕒) y manténgalo pulsado. El icono (🕒) y la hora actual aparecerán en la pantalla LCD para confirmar la activación de la función Temporizador.
7. Para desactivar la función Temporizador, pulse el botón de **Hora de inicio** (🕒) nuevamente y manténgalo pulsado hasta que el icono (🕒) desaparezca.

**NOTE:** Los modos no se pueden cambiar sin apagar la unidad, una vez que el temporizador se ha activado.

**NOTE:** El temporizador tiene memoria para guardar la hora preestablecida, pero debe volver a activar la función Hora de inicio para programar el calefactor repetidamente a la hora preestablecida. Por ejemplo, si desea que el calefactor precalefaccione la habitación a una hora preestablecida cada mañana, debe pulsar y activar el botón de Hora de inicio cada noche antes de irse a dormir.

#### LIMPIEZA / MANTENIMIENTO

Siempre desenchufe el calefactor y deje que se enfríe antes de limpiarlo.

1. Limpie la unidad con un paño suave humedecido en una solución de jabón suave.
2. NUNCA utilice solventes abrasivos o inflamables para limpiar la unidad.
3. Luego de limpiarla, asegúrese de secar completamente la unidad con un trapo o toalla.
4. Guarde el calefactor en un lugar frío y seco.
5. El fabricante recomienda guardar la unidad en su caja original.

**APAGADO AUTOMÁTICO DE SEGURIDAD**  
Este calefactor está equipado con un sistema de seguridad patentado, de tecnología avanzada que requiere que el usuario reinicie el calefactor en caso de un sobrecalentamiento potencial. Cuando se alcanza una temperatura de recalentamiento potencial, el sistema apagará automáticamente el calefactor. Volverá a funcionar únicamente luego de que el usuario reinicie la unidad.

#### Para volver a prender el calefactor:

1. Desenchufe el calentador y deje que se enfríe durante 30 minutos.
2. Al cabo de 30 minutos enchufe el calentador para que funcione de forma normal.