

Sunbeam[®]

6 Speed Blender

USER MANUAL



Model

4181

IMPORTANT SAFEGUARDS

READ ALL INSTRUCTIONS BEFORE USE.

When using electrical appliances, basic safety precautions should always be followed, including the following:

- Read all instructions. Keep these instructions for future use.
- Verify that the voltage in your home corresponds to that of your appliance.
- To protect against risk of electrical shock, **do not** put cord, plug, base, or motor in water or other liquid.
- Close supervision is necessary when any appliance is used by or near children.
- Unplug cord from outlet when not in use, before putting on or taking off parts and before cleaning.
- Avoid contact with moving parts.
- Do not** operate any electrical appliance with a damaged cord or plug or after the appliance malfunctions or has been dropped or damaged in any manner. Return appliance to nearest Sunbeam Appliance Authorized Service Center for examination, electrical repair, mechanical repair, or adjustment.
- The use of attachments, including canning jars, not recommended by the manufacturer may cause a risk of injury to persons.
- Do not** use outdoors.
- Do not** let cord hang over the edge of a table or counter or touch hot surfaces, including the stove.
- Keep hands and utensils out of container while blending to reduce the risk of severe personal injury and/or damage to blender. A rubber spatula may be used but must be used only when blender is not running.
- Do not** use a broken, chipped or cracked blender jar.
- Do not** use broken, cracked or loose cutting blades.
- To reduce the risk of injury, **never** place cutting blades unit on base without jar properly attached. Blades are sharp. Handle carefully.
- Always operate blender with cover in place.
- When blending hot liquids, remove center piece of two-piece cover. **Do not** fill blender container beyond 3-cup level. Always begin processing at the lowest speed setting. Keep hands and other exposed skin away from the cover opening to prevent possible burns.

- ❑ Screw on blade assembly firmly. Injury can result if moving blades become exposed.
- ❑ If the jar should turn when the motor is switched ON, switch OFF immediately and tighten blade assembly.
- ❑ **Do not** leave blender unattended while it is operating.
- ❑ To disconnect cord, turn the control to OFF, then remove the plug from wall outlet.
- ❑ **Do not** use appliance for other than intended purpose.

THIS UNIT IS FOR HOUSEHOLD USE ONLY.

- ❑ This appliance intended for household use only. Use for food or liquids only.
- ❑ This appliance is equipped with a polarized plug. This type of plug has one blade is wider than the other. This plug will fit in a polarized outlet only one way. This is a safety feature intended to help reduce the risk of electrical shock. If you are unable to insert the plug into the outlet, reverse the plug. If it the plug should still fail to fit, contact a qualified electrician to replace the obsolete outlet. **Do not** attempt to defeat this safety purpose of the polarized plug by modifying the plug in any way.
- ❑ The length of the cord used on this appliance was selected to reduce the hazards of becoming tangled in, or tripping over a long cord. If a longer cord is necessary an approved extension cord may be used. The electrical rating of the extension cord must be equal to or greater than the electrical rating of the blender. Care must be taken to arrange the extension cord so that it will not drape over the countertop or tabletop where it can be pulled on by children or accidentally tripped over.
- ❑ If the blender blades lock and **do not** move, it will damage the motor. Do not use. Call the toll-free customer service number for information.
- ❑ **Do not** place blender in the freezer filled with food or liquid. This will freeze and damage the blade assembly, jar and motor.

SAVE THESE INSTRUCTIONS

Welcome

Congratulations on your purchase of Sunbeam® Model 4181 Blender. Your product includes the following features:

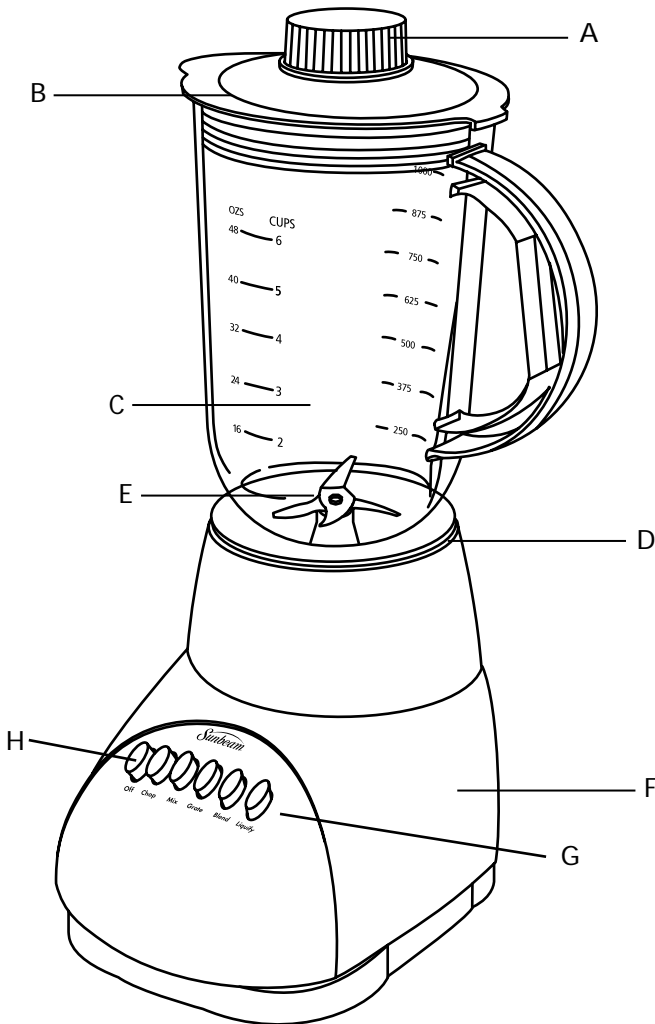
A total of 6 Speeds including a pulse function for continuous and controlled cycle operation.

Table of Contents

Important Safeguards	Inside Cover
Welcome	2
Learning About Your Blender	3
Using Your Blender	4
Hints For Best Use	6
Cleaning	7
Servicing	7
One-Year Limited Warranty	8
How To Obtain Warranty Service	9

KNOW YOUR BLENDER

- A. Filler-Cap
- B. Lid
- C. Jar (48 ounce)
- D. Gaskets (small gasket for blade assembly, large gasket for jar collar)
- E. Blade Assembly (also called cutting blades)
- F. Base
- G. Control Panel
- H. Pulse Button- For instant control the pulse operates only as long as the button is held down. The blender motor stops when the button is released.



HOW TO USE YOUR SUNBEAM® BLENDER

After unpacking the blender, wash everything except the blender base in hot, soapy water. Dry thoroughly. Do not place in dishwasher. Wipe the blender base with a damp cloth or sponge. Do not immerse the base in water. Care should be taken when handling the blades, as they are very sharp.

How to Assemble and Use

Important: Your blender jar and cutting blades are subject to wear during normal use. Always inspect cutting blades for broken, cracked or loose blades. If jar or cutting blades are damaged, do not use. Call our toll-free customer service number to obtain replacement parts.

- Make sure blender is unplugged. Place blender base on clean, dry surface to keep foreign particles from being pulled up into motor during operation.
- Make sure small gasket is in place on outer rim of blade assembly. The gasket must lie flat. Screw the blade assembly into the jar base firmly. The large gasket should be in place on jar bottom, underneath the wide collar.
- The blade assembly must be screwed into the jar firmly. If not, it may loosen when the motor is turned on.
- Set jar into place on blender base, making sure it is securely seated. If not gently rock the jar until seated.
- Plug cord into outlet.
- Put ingredients in jar, place lid on jar.
- Process food or beverages. Place hand on lid when blending liquids. Push button on control panel to start blender.
- Always turn blender OFF and wait until blades have stopped rotating before removing jar.
- To remove jar after blending is complete, lift the jar straight up. If it is not easily removed, gently rock and lift. Do not twist.
- Never place jar onto unit while motor is running.

6-Speed

Speeds are Chop, Mix, Grate, Blend, Liquefy, and Pulse/Off. Pulse is a controlled cycle operation. This means it operates only while the button is held down. All other speeds are continuous cycle operation. They operate continuously at whatever speed is selected until the "Off" button is pressed.

For Continuous Operation

Rest one hand on top of the blender jar with lid securely in place. Press desired speed button to turn blender on. Press "Off" button to turn blender off.

For Controlled Cycle Operation

Rest one hand on top of blender jar with lid securely in place. Press "Pulse" button and hold down for about 2 seconds. Release button and allow blades to coast to a stop. Repeat cycles until contents reach a desired consistency. Release of the "Pulse" button turns blender off.

NOTE: "Pulse" button can be held longer than 2 seconds as needed.

HINTS FOR BEST USE

- ❑ Processing hot foods or liquids in the blender may cause hot liquid to spurt out when the cover is removed. Always remove the filler-cap from the cover before blending hot foods or liquids. (Please review Important Safeguards).
- ❑ To add foods when blender is operating remove filler-cap from container cover and add ingredients through the opening.
- ❑ If using your blender to make salsa or other recipes using tomatoes, onions and/or other vegetables, you may have better results using a slower speed function.
- ❑ If blending action stops during blending or ingredients stick to the sides of the jar, turn blender OFF. Remove the cover and use a rubber spatula to push mixture towards blades.
- ❑ **Do not** try to mash potatoes, mix stiff dough, whip egg whites, grind corn or raw meat, or extract juices from fruits and vegetables. The blender is not made to perform these tasks.
- ❑ **Do not** store food or liquids in the blender jar.
- ❑ Avoid bumping or dropping the blender.

HOW TO CLEAN THE BLENDER

1. Unplug the blender from electrical outlet.
2. Wipe blender base, control panel, and cord with a damp cloth or sponge. To remove stubborn spots, use a mild, non-abrasive cleanser.
3. To clean jar, unscrew blade assembly and remove from jar.
4. Carefully remove gasket from outer rim of blade assembly.
5. Carefully wash blade assembly, gasket, jar and cover in hot, soapy water. Rinse and dry thoroughly. Do not soak. Do not wash blade assembly, gasket, plastic jar, or cover in a dishwasher.
6. Replace gasket on blade assembly, screw into jar and replace onto blender base.

CUSTOMER SERVICE

If you have a question about your blender, call our toll-free customer service number. Before calling, please note the model, type, and series numbers and fill in that information below. These numbers can be found on the bottom of your blender. This information will help us answer your question much more quickly.

1-YEAR LIMITED WARRANTY

Sunbeam Products, Inc. ("Sunbeam") warrants that for a period of one year from the date of purchase, this product will be free from defects in material and workmanship. Sunbeam, at its option, will repair or replace this product or any component of the product found to be defective during this warranty period. Replacement will be made with a new or remanufactured product or component. If the product is no longer available, replacement may be made with a similar product of equal or greater value. This is your exclusive warranty.

The warranty is valid for the original retail purchaser from the date of initial retail purchase and is not transferable. Keep the original sales receipt. Proof of purchase is required to obtain warranty performance. Sunbeam dealers, service centers or retail stores selling Sunbeam products do not have the right to alter, modify or any way change the terms and conditions of this warranty.

This warranty does not cover normal wear of parts or damage resulting from any of the following: negligent use or misuse of the product, use on improper voltage or current, use contrary to the operating instructions, disassembly, repair or alteration by anyone other than Sunbeam or an Authorized Sunbeam Service Center. Further, the warranty does not cover Acts of God or nature, such as fire, flood, hurricanes, and tornadoes.

Sunbeam shall not be liable for any incidental or consequential damages caused by the breach of any express or implied warranty. Except to the extent prohibited by applicable law, any implied warranty of merchantability or fitness for a particular purpose is limited in duration to the duration of the above warranty. Some states, provinces or jurisdictions do not allow the exclusion or limitation of incidental or consequential damages or limitations on how long an implied warranty lasts, so the above exclusion or

limitations may not apply to you. This warranty gives you specific legal rights and you may have the rights that vary by state, province and/or jurisdiction.

How to obtain Warranty Service

Take the product to an Authorized Sunbeam Service Center.

You can find the nearest Authorized Sunbeam Service Center by calling 1 800 458-8407 or visit us at our web site at www.sunbeam.com.

DO NOT RETURN THIS PRODUCT TO THE PLACE OF PURCHASE.



DO NOT SEND THIS PRODUCT TO THE PLACE OF PURCHASE

For product questions:
Sunbeam Consumer Service
P.O. Box 948389
Maitland, FL. 32794-8389
1.800.458.8407
www.sunbeam.com

DO NOT SEND PRODUCT TO THE ABOVE ADDRESS

©2002 Sunbeam Products, Inc. All rights reserved.
Sunbeam® is a registered trademark of Sunbeam Products, Inc.
Distributed by Sunbeam Products, Inc.
Boca Raton, FL 33431

Sunbeam®

Licuadaora **de 6 velocidades** **MANUAL DEL USUARIO**



Modelo

4181

SALVAGUARDAS IMPORTANTES

LEA TODAS LAS INSTRUCCIONES ANTES DE USAR EL APARATO.

Al usar aparatos eléctricos, siga siempre las precauciones básicas de seguridad, incluidas las siguientes:

- Lea todas las instrucciones. Conserve estas instrucciones para uso futuro.
- Verifique que la tensión de su hogar corresponda a la de su aparato.
- Para protegerse contra el riesgo de un choque eléctrico, no sumerja el cable de alimentación, el enchufe, la base o el motor en agua ni en ningún otro líquido.
- Es necesario vigilar cuidadosamente a los niños cuando usen este aparato o se encuentren cerca de él.
- Desenchufe la licuadora del tomacorriente cuando no la use, antes de colocar o sacar implementos y antes de limpiarla.
- Evite entrar en contacto con piezas en movimiento.
- No** haga funcionar ningún aparato eléctrico si tiene el cable o el enchufe dañado o después de un mal funcionamiento, o si se cae o daña de alguna otra manera. Devuelva el aparato al Centro de Servicio Autorizado para Electrodomésticos Sunbeam más cercano para que sea examinado, reparado o le hagan ajustes eléctricos o mecánicos.
- El uso de accesorios incluidos, como las frascos para envasado, no es recomendable por el fabricante porque puede causar riesgo de lesiones personales.
- No** usar al aire libre.
- No** deje que el cable cuelgue del borde de la mesa o de la superficie de trabajo ni que toque superficies calientes, incluida la cocina.
- Mantenga las manos y los utensilios fuera del vaso mientras la licuadora esté en funcionamiento, para reducir el riesgo de lesiones personales severas y/o daños a la licuadora. Se puede usar una espátula de goma, pero únicamente cuando la licuadora no esté funcionando.
- No** use el vaso de la licuadora si éste está roto, astillado o cuarteado.
- No** use cuchillas rotas, cuarteadas o sueltas.
- Para reducir el riesgo de lesiones, nunca ponga la unidad de las cuchillas de corte sin que el vaso esté correctamente instalado en la base. Las cuchillas son filosas. Manipule con cuidado.
- Siempre haga funcionar la licuadora con la tapa puesta.
- Al licuar productos calientes, retire la pieza central de la tapa de dos

piezas. **No** llene el vaso de la licuadora por encima del nivel de tres tazas. Comience siempre a procesar en la velocidad más baja. Mantenga las manos y otras partes expuestas de la piel lejos del orificio de la tapa para prevenir posibles quemaduras.

- Atornille firmemente el conjunto de cuchillas. Pueden producirse lesiones si las cuchillas en movimiento quedan accidentalmente expuestas .
- Si el vaso gira cuando el motor esté ON (encendido), páselo inmediatamente a la posición OFF (apagado) y ajuste el conjunto de cuchillas.
- No** deje la licuadora sin vigilancia mientras ésta esté funcionando.
- Para desconectar el cable de alimentación, ponga el control en OFF (apagado) y luego retire el enchufe del tomacorriente.
- No** use el aparato para fines que no sean aquéllos para los que está destinado.

ESTA UNIDAD ES PARA USO DOMÉSTICO ÚNICAMENTE.

- Este aparato es para uso doméstico únicamente. Úsese únicamente para alimentos o líquidos.
- Este aparato está equipado con un enchufe polarizado. Este tipo de enchufe tiene una pata que es más ancha que la otra. Este enchufe encaja en el tomacorriente polarizado en un único sentido. Esta es una característica de seguridad destinada a reducir el riesgo de choques eléctricos. Si no puede introducir el enchufe en el tomacorriente, déle la vuelta. Si el enchufe sigue sin encajar, comuníquese con un electricista calificado para cambiar el tomacorrientes obsoleto. **No** intente anular esta característica de seguridad del enchufe polarizado, modificándolo de forma alguna.
- La longitud del cable de alimentación de este aparato se estipuló para reducir el riesgo de que alguien pueda enredarse o tropezar. Si se requiere un cable más largo se puede usar una extensión aprobada. La potencia nominal de la extensión debe ser igual o mayor que la potencia nominal de la licuadora. Debe tener cuidado al guardar la extensión de manera que no cuelgue de la superficie de trabajo o de la mesa de donde pueda ser jalada por los niños o provocar tropiezos accidentales.
- Si las cuchillas de la licuadora se bloquean y **no** se mueven, el motor puede dañarse. No la use. Llame al número gratuito de servicio al cliente y solicite información.
- No coloque el vaso de la licuadora en el congelador lleno de comida o líquido. Esto puede congelar y dañar el conjunto de cuchillas, vaso y motor.

GUARDE ESTAS INSTRUCCIONES

Bienvenidos

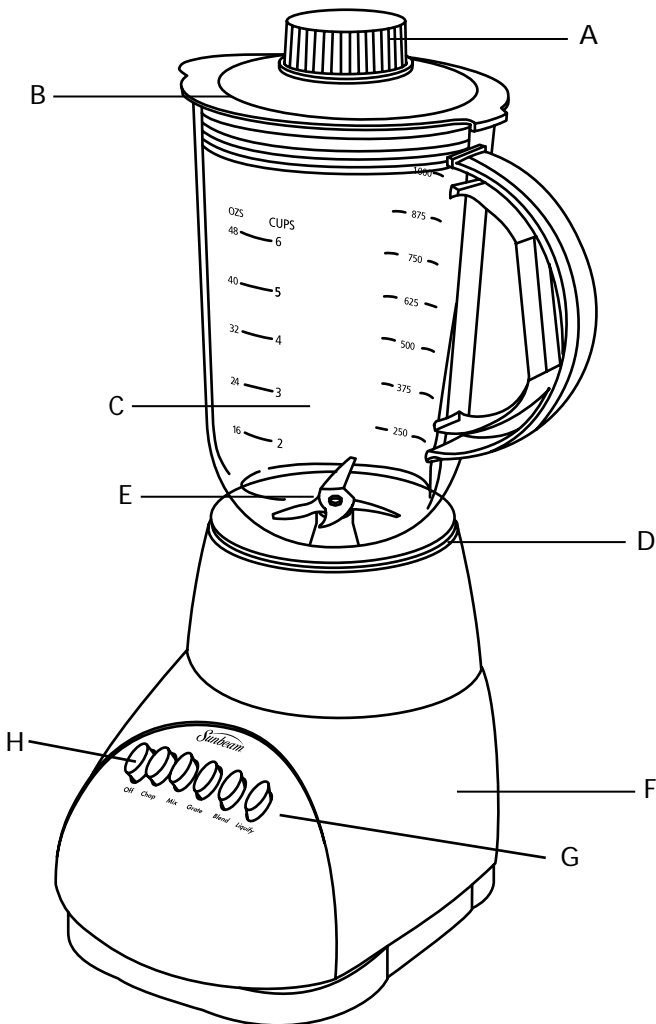
Felicitaciones por su compra de una Licuadora Sunbeam® Modelo 4181. Su producto incluye las siguientes características: Un total de 6 velocidades, incluida una función "Pulse" (ciclo manual) para ciclo controlado.

Índice temático

Salvuardas importantes	Contratapa
Bienvenida	2
Descripción de la licuadora	3
Uso de la licuadora	4
Consejos para una óptima utilización	6
Limpieza	7
Servicio	7
Garantía limitada por un año	8
Cómo solicitar servicio en garantía	9

DESCRIPCIÓN DE LA LICUADORA

- A. Tapón de llenado
- B. Tapa
- C. Vaso (48 onzas)
- D. Junta (junta pequeña para el ensamblaje de las cuchillas, junta grande para el cuello del vaso)
- E. Conjunto de cuchillas (también llamado cuchillas de corte)
- F. Base
- G. Panel de control
- H. Botón Pulse (ciclo manual): Para un control instantáneo, el ciclo manual funciona únicamente mientras mantenga presionado el botón. El motor de la licuadora se detiene al soltar el botón.



CÓMO UTILIZAR SU LICUADORA SUNBEAM®

Después de sacar la licuadora de su empaque, lave todas las piezas en agua caliente y jabonosa, exceptuando la base de la licuadora. Séquelas bien. No coloque piezas de la licuadora en el lavavajillas. Limpie la base de la licuadora con un paño o esponja húmedos. No sumerja la base en agua. Tenga cuidado al manipular las cuchillas, ya que son sumamente filosas.

Montaje y uso

Importante: El vaso y las cuchillas de su licuadora están sujetos a desgaste durante el uso normal. Siempre revise que las cuchillas no estén rotas, cuarteadas o sueltas. Si el vaso o las cuchillas están dañados, no los utilice. Llame a nuestro número gratuito de servicio al cliente para obtener las piezas de repuesto.

- ❑ Asegúrese de que su licuadora esté desenchufada. Coloque la base de la licuadora sobre una superficie limpia y seca para evitar que se introduzcan partículas extrañas en el motor durante su funcionamiento.
- ❑ Asegúrese de que la junta esté colocada en el aro exterior del ensamblaje de las cuchillas. La junta debe estar plana. Atornille el ensamblaje de las cuchillas en la base del vaso firmemente. La junta grande debe estar colocada en la parte inferior del vaso, debajo del cuello ancho.
- ❑ El conjunto de cuchillas debe ser atornillado firmemente al vaso. De lo contrario, el conjunto se puede aflojar al encender el motor.
- ❑ Coloque el vaso en la base de la licuadora asegurándose de que asiente bien. Si no, mueva suavemente el vaso hasta que asiente bien.
- ❑ Enchufe el cable al tomacorriente.
- ❑ Ponga los ingredientes en el vaso y coloque la tapa sobre el mismo.
- ❑ Procese los alimentos o la bebida. Sujete la tapa con una mano al procesar los líquidos. Presione el botón en el panel de control para iniciar el proceso.

- ❑ Apague (OFF) la licuadora y espere a que las cuchillas se hayan detenido antes de retirar el vaso.
- ❑ Para retirar el vaso al terminar de licuar, levante el vaso manteniéndolo derecho. Si no sale fácilmente, muévalo suavemente y levántelo. No lo rote.
- ❑ Nunca coloque el vaso en la unidad con el motor en funcionamiento.

6 velocidades

Las velocidades son: Chop (picar), Mix (mezclar), Grate (rallar), Blend (ligar), Liquefy (licuar) y Pulse/Off (ciclo manual/apagado). Con Pulse se opera el ciclo controlado. Esto significa que funciona únicamente mientras se mantiene presionado el botón. Todas las otras velocidades operan ciclos continuos. Funcionan continuamente en cualquiera de las velocidades seleccionadas hasta que se presione el botón "Off" (Apagado).

Para funcionamiento continuo

Sostenga con una mano el vaso de la licuadora con la tapa bien colocada. Presione el botón de la velocidad deseada para encender la licuadora. Presione el botón "Off" (Apagado) para apagar la licuadora.

Para funcionamiento en ciclo controlado

Sostenga con una mano el vaso de la licuadora con la tapa bien colocada. Presione el botón "Pulse" (ciclo manual) y manténgalo presionado durante 2 segundos aproximadamente. Suelte el botón y deje que las cuchillas se detengan. Repita los ciclos hasta que el contenido alcance la consistencia deseada. Suelte el botón "Pulse" (ciclo manual) para apagar la licuadora.

NOTA: El botón "Pulse" (ciclo manual) puede mantenerse presionado más de 2 segundos según sea necesario.

CONSEJOS PARA UNA ÓPTIMA UTILIZACIÓN

- ❑ Procesar alimentos o líquidos calientes en la licuadora puede hacer que el líquido salga disparado hacia afuera al quitar la tapa. Siempre quite el tapón de llenado de la tapa antes de licuar alimentos o líquidos calientes. (Por favor, lea las Salvaguardas importantes.)
- ❑ Para agregar alimentos cuando la licuadora esté en funcionamiento, retire el tapón de llenado de la tapa del vaso y agregue los ingredientes por la abertura.
- ❑ Cuando utilice su licuadora para preparar salsa u otras recetas que llevan tomates, cebollas u otros vegetales, obtendrá mejores resultados si utiliza una función de velocidad lenta.
- ❑ Si la acción de licuado se detiene durante el funcionamiento o los ingredientes se pegan en las paredes del vaso, apague (OFF) la licuadora. Retire la tapa y use una espátula de goma para empujar la mezcla hacia las cuchillas.
- ❑ **No** trate de pisar papas, mezclar masa dura, batir claras de huevo, moler maíz o carne cruda ni extraer jugos de frutas o vegetales. La licuadora no ha sido diseñada para realizar estas tareas.
- ❑ **No** guarde alimentos o líquidos en el vaso de la licuadora.
- ❑ Evite golpear o dejar caer la licuadora.

LIMPIEZA DE LA LICUADORA

1. Desenchufe la licuadora del tomacorriente.
2. Limpie la base, el panel de control y el cable de la licuadora con un paño o esponja húmedos. Para eliminar las manchas rebeldes, use un limpiador suave no abrasivo.
3. Para limpiar el vaso, desenrosque el conjunto de cuchillas y retírelo del vaso.
4. Retire con cuidado la junta del borde externo del conjunto de cuchillas.
5. Lave con cuidado el conjunto de cuchillas, la junta, el vaso y la tapa con agua jabonosa. Enjuáguelos y séquelos bien. No los remoje. No lave el conjunto de cuchillas, la junta, el vaso de plástico o la tapa en el lavavajillas.
6. Vuelva a colocar la junta en el conjunto de cuchillas, enrósquelo al vaso y vuelva a colocarlo en la base de la licuadora.

SERVICIO AL CLIENTE

Si tiene alguna pregunta sobre su licuadora, llame a nuestro número gratuito de servicio al cliente. Antes de llamar, por favor anote el modelo, tipo y números de serie y llene esta información a continuación. Estos números se encuentran en la parte inferior de la licuadora. Esta información nos ayudará a responder a sus preguntas mucho más rápido.

GARANTÍA LIMITADA POR UN AÑO

Sunbeam Products, Inc. ("Sunbeam") garantiza que por un período de un año a partir de la fecha de compra, este producto no tendrá defectos de material ni de mano de obra. Sunbeam, a su elección, reparará o reemplazará este producto o cualquier componente del mismo que tenga defectos durante el período de garantía. El reemplazo se realizará por un producto o componente nuevo o reparado. Si el producto ya no estuviera disponible, se lo reemplazará por un producto similar de valor igual o superior. Esta es su garantía exclusiva.

La garantía es válida para el comprador minorista original a partir de la fecha de la compra original y no es transferible. Conserve el recibo de compra original. Se requiere que presente un recibo de compra para solicitar servicio de garantía. Los agentes y centros de servicio de Sunbeam o las tiendas minoristas que venden productos Sunbeam no tienen derecho a adulterar, modificar o cambiar de cualquier otro modo los términos y las condiciones de esta garantía.

Esta garantía no cubre el desgaste normal de las piezas ni los daños que se produzcan como resultado de: uso negligente o mal uso del producto, uso de tensión o corriente inapropiadas, uso contrario a las instrucciones operativas, desarmado, reparación o alteración por un tercero que no sea Sunbeam o un Centro de Servicio Autorizado Sunbeam. Asimismo, la garantía no cubre fuerza mayor ni desastres naturales tales como incendios, inundaciones, huracanes y tornados.

Sunbeam no será responsable de daños incidentales o emergentes causados por el incumplimiento de ninguna garantía expresa o implícita. Excepto en la medida prohibida por la ley aplicable, cualquier garantía implícita de comerciabilidad o aptitud para un fin determinado se limita en cuanto a su duración a la duración de la garantía antes mencionada. Algunos estados, provincias o jurisdicciones no permiten

la exclusión o limitación de los daños incidentales o emergentes ni las limitaciones a la duración de las garantías implícitas, de modo que es posible que la exclusión o las limitaciones antes mencionadas no se apliquen en su caso. Esta garantía le otorga derechos legales específicos y es posible que tenga otros derechos que varíen entre un estado, provincia o jurisdicción y otro.

Cómo solicitar servicio de garantía

Lleve el producto a un Centro de Servicio Sunbeam Autorizado.

Encontrará el Centro de Servicio Sunbeam Autorizado más cercano llamando al 1 800 458-8407 o visitando nuestro sitio web en www.sunbeam.com

NO DEVUELVA ESTE PRODUCTO AL LUGAR DONDE LO COMPRÓ.



NO ENVÍE ESTE PRODUCTO AL LUGAR DONDE LO COMPRÓ

Para consultas sobre el producto:

Sunbeam Consumer Service

P.O. Box 948389

Maitland, FL. 32794-8389

1.800.458.8407

www.sunbeam.com

NO ENVÍE ESTE PRODUCTO A LA DIRECCIÓN QUE APARECE MÁS ARRIBA

©2002 Sunbeam Products, Inc. Todos los derechos reservados.

Sunbeam® es marca comercial registrada de Sunbeam Products, Inc.

Distribuido por Sunbeam Products, Inc.

Boca Raton, FL 33431