

CLEANING / MAINTENANCE FAN STORAGE

Fan Blade Cleaning

1. To access the fan blade, remove the front grill and blade cap.
2. Clean the fan blade, front and rear grills with a soft moist cloth.
3. Replace blade, tighten blade cap, and securely fasten the front grill (see Assembly Instructions to ensure the fan blade, front and rear grills are assembled properly).

Fan Head and Base Cleaning

Use a soft, moist cloth with or without a mild soap solution carefully clean the fan base and head. Please use caution around the motor housing area. Do not allow the motor or other electrical components to be exposed to water.

FAN STORAGE

When storing your fan in the off season, it is important to keep it in a safe dry location. It is important to protect the fan head from dust. We strongly recommend using the original box from purchase.

If you have any questions regarding your product or would like to learn more about other Holmes® products, please visit our website at www.holmesproducts.com. For inquiries regarding recycling and proper disposal of this product, please contact your local waste management facility.

WARRANTY INFORMATION

3 YEAR LIMITED WARRANTY

Sunbeam Products, Inc. doing business as Jarden Consumer Solutions (collectively "JCS") warrants that for a period of three years from the date of purchase, this product will be free from defects in material and workmanship. JCS, at its option, will repair or replace this product or any component of the product found to be defective during the warranty period. Replacement will be made with a new or remanufactured product or component. If the product is no longer available, replacement may be made with a similar product of equal or greater value. This is your exclusive warranty. Do NOT attempt to repair or adjust any electrical or mechanical functions on this product. Doing so will void this warranty.

This warranty is valid for the original retail purchaser from the date of initial retail purchase and is not transferable. Keep the original sales receipt. Proof of purchase is required to obtain warranty performance. JCS dealers, service centers, or retail stores selling JCS products do not have the right to alter, modify or any way change the terms and conditions of this warranty.

This warranty does not cover normal wear of parts or damage resulting from any of the following: negligent use or misuse of the product, use on improper voltage or current, use contrary to the operating instructions, disassembly, repair or alteration by anyone other than JCS or an authorized JCS service center. Further, the warranty does not cover: Acts of God, such as fire, flood, hurricanes and tornadoes.

What are the limits on JCS's Liability?

JCS shall not be liable for any incidental or consequential damages caused by the breach of any express, implied or statutory warranty or condition.

Except to the extent prohibited by applicable law, any implied warranty or condition of merchantability or fitness for a particular purpose is limited in duration to the duration of the above warranty.

JCS disclaims all other warranties, conditions or representations, express, implied, statutory or otherwise.

JCS shall not be liable for any damages of any kind resulting from the purchase, use or misuse of, or inability to use the product including incidental, special, consequential or similar damages or loss of profits, or for any breach of contract, fundamental or otherwise, or for any claim brought against purchaser by any other party.

Some provinces, states or jurisdictions do not allow the exclusion or limitation of incidental or consequential damages or limitations on how long an implied warranty lasts, so the above limitations or exclusion may not apply to you.

This warranty gives you specific legal rights, and you may also have other rights that vary from province to province, state to state or jurisdiction to jurisdiction.

How to Obtain Warranty Service

In the U.S.A.

If you have any questions regarding this warranty or would like to obtain warranty service, please visit our website at www.holmesproducts.com or direct your correspondences to ATTN: Holmes, Jarden Consumer Solutions, PO Box 3900, Peoria IL 61614. Please do not return product to this address. The PO Box listed can only receive letters or envelopes.

In the U.S.A., this warranty is offered by Sunbeam Products, Inc. doing business as Jarden Consumer Solutions located in Jarden Consumer Solutions, PO Box 3900, Peoria IL 61614. In Canada, this warranty is offered by Sunbeam Corporation (Canada) Limited doing business as Jarden Consumer Solutions, located at 20 B Hereford Street, Brampton, Ontario L6Y 0M1. If you have any other problem or claim in connection with this product, please write our Consumer Service Department. **PLEASE DO NOT RETURN THIS PRODUCT TO ANY OF THESE ADDRESSES OR TO THE PLACE OF PURCHASE.**

Holmes®

Owner's Guide

HDF12235



5-Speed Table Fan

PLEASE READ AND SAVE THESE IMPORTANT INSTRUCTIONS

© 2015 Sunbeam Products, Inc. doing business as Jarden Consumer Solutions. All Rights Reserved.
Distributed by Sunbeam Products, Inc. doing business as Jarden Consumer Solutions, Boca Raton, Florida 33431.

172047 Rev. A
GCDS-HOL38246-JC

HDF12235_15EM1

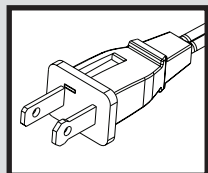
Printed in China

PLEASE READ AND SAVE THESE IMPORTANT SAFETY INSTRUCTIONS

When using electrical appliances, basic safety precautions should always be taken including the following:

1. Read all instructions before using this appliance.
2. Use fan only for purposes described in the instruction manual.
3. To protect against electrical shock do not immerse unit, plug or cord in water or spray with liquids and plug the appliance directly into a 120V AC electrical outlet.
4. Close supervision is necessary when any appliance is used by or near children.
5. Unplug from outlet when not in use, when moving fan from one location to another, before putting on or taking off parts and before cleaning.
6. Avoid contact with moving parts.
7. Do not operate in the presence of explosive and/or flammable fumes.
8. To avoid fire hazard, NEVER place the cord under rugs or any parts near an open flame, cooking or other heating appliance.
9. Do not operate any appliance with a damaged cord or plug after the appliance malfunctions, or has been dropped/damaged in any manner. Discard fan or return to an authorized service facility for examination and/or repair.
10. Do not run cord under carpeting. Do not cover cord with throw rugs, runner, or similar coverings. Do not route cord under furniture or appliances. Arrange cord away from traffic area and where it will not be tripped over.
11. The use of attachments not recommended or sold by the appliance manufacturer may cause hazards.
12. Do not let the cord hang over the edge of a table, counter or come in contact with hot surfaces or leave exposed to high traffic areas.
13. Do not use outdoors.
14. To disconnect, grip plug and pull from wall outlet. Never yank on cord.
15. Always use on a dry, level surface.
16. Do not operate fan until fully assembled with all parts properly in place.
17. This product is intended for household use ONLY and not for commercial or industrial applications.
18. **WARNING:** To reduce the risk of electrical shock and injury to persons, do not use in window.
19. **WARNING:** To reduce the risk of fire or electric shock, do not use this fan with any solid-state speed control device.
20. This product employs overload protection (fuse). A blown fuse indicates an overload or short-circuit situation. If the fuse blows, unplug the product from the outlet. Replace the fuse as per the user servicing instructions (follow product marking for proper fuse rating) and check the product. If the replacement fuse blows, a short circuit may be present and the product should be discarded or returned to an authorized service facility for examination and/or repair.

PLEASE READ AND SAVE THESE IMPORTANT SAFETY INSTRUCTIONS



THIS APPLIANCE HAS A POLARIZED PLUG (one blade is wider than the other). To reduce the risk of electric shock, this plug is intended to fit in a polarized outlet only one way. If the plug does not fit fully in the outlet, reverse the plug. If it still does not fit, contact a qualified electrician to install the proper outlet.

DO NOT ATTEMPT TO MODIFY THIS PLUG OR DEFEAT THIS SAFETY FEATURE IN ANY WAY.

FEATURES - OPERATIONS

ASSEMBLY INSTRUCTIONS (See Figure 1)

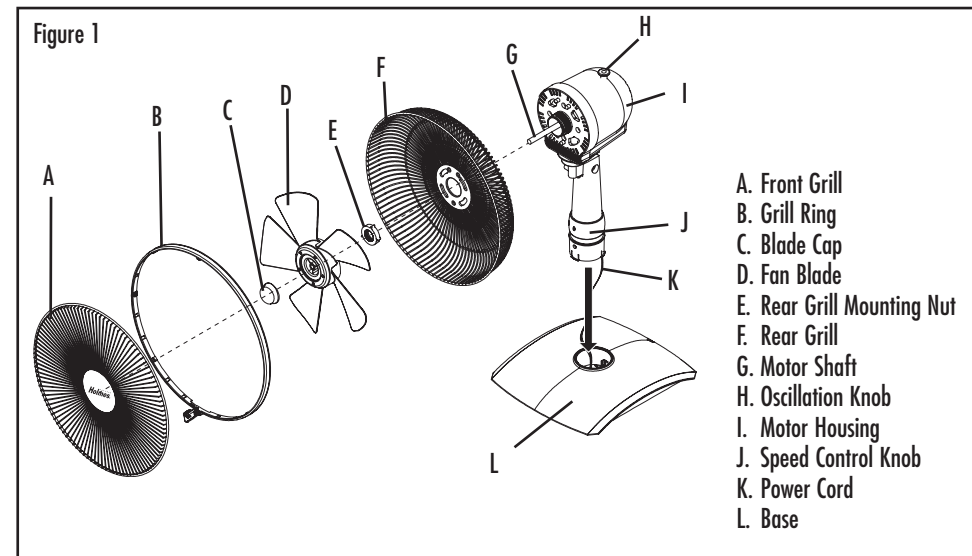
NOTE: MAKE SURE YOU REMOVE ALL CONTENTS OF THE PACKAGE. PLEASE CHECK PACKAGING MATERIALS FOR PARTS THAT COULD BE REQUIRED TO OPERATE YOUR FAN.

No tool is required for assembly.

Assembly time: 5-10 minutes.

1. Pull power cord through the base and insert the lower end of the fan stem into the centre hole of the base until locked in place. **Note:** the back of the fan base will have a channel for the cord to pass through.
2. Line up the slots of the rear grill with the notches on the motor housing assembly.
3. Secure rear grill to motor housing assembly with rear grill mounting nut. Turn clockwise to tighten.
4. Slide fan blade over motor shaft.
5. Secure fan blade to motor shaft with the blade cap. Turn counter-clockwise to tighten.

6. Center the front grill by aligning the Holmes® trademark logo on the logo plate so it is horizontal and parallel with the floor. Snap the front grill into the grill ring. Then, holding the front grill against the rear grill, push the grill ring into place at the top and bottom of the fan. (Push directly on the grill ring, not on the grills themselves). Finish securing the grill ring in the same manner until both grills are joined underneath the ring.
7. Close the grill ring with the grill lock located at the bottom of the grill ring.



FEATURES - OPERATIONS CLEANING/MAINTENANCE

OPERATING INSTRUCTIONS

1. Set fan on a dry, level surface.
2. Plug cord into any standard 120 volt AC outlet. Please make sure the speed control is in the Off (0) position.
3. The power and speed control can be adjusted by turning the speed control knob on the fan stem to the desired settings: 1-2-3-4-5-0
4. The Oscillation Knob is located on the top of the Fan Motor Housing. To start Oscillation, push Oscillation Knob down. To stop Oscillation, pull Oscillation Knob up.

ADJUSTMENT INSTRUCTIONS

Fan Head Tilt Adjustment

To adjust the angle of the fan head simply move the fan head manually to the desired angle, you will hear clicks for each angle move.

CLEANING/MAINTENANCE INSTRUCTIONS

Follow these instructions to correctly and safely care for your fan. Please remember:

REPLACEABLE FUSE

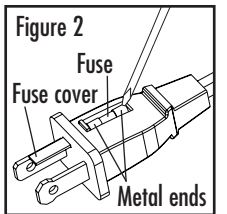
If your (5 Amp, 125 Volt) replaceable fuse blows, please visit our website at www.holmesproducts.com for information on how to order a new fuse. Follow the below instructions to replace the fuse on the plug.

User Servicing Instructions

1. Unplug your fan. Grasp plug and remove from the receptacle or other outlet device. Do not unplug by pulling on cord.
2. Open fuse cover, located on the top of the plug, by using your thumb or a flathead screwdriver to slide the cover down towards the prongs.

NOTE: Ensure that fuse cover is completely open before attempting to remove fuse.

3. Remove fuse carefully by using a small screwdriver to pry the fuse out of the compartment by the metal ends of the fuse. (see Figure 2)



4. Place plug on a solid, flat surface. Insert new 5 Amp, 125 Volt fuse into fuse compartment and use a small screwdriver to secure the metal ends of the fuse into the compartment.
- CAUTION:** Risk of fire. Replace fuse only with 5 Amp, 125 Volt fuse.
5. Slide fuse cover closed completely. If fuse cover is difficult to close, make sure fuse is secured in place completely by pressing down on metal ends of the fuse.
6. Risk of fire. Do not replace attachment plug. Contains a safety device (fuse) that should not be removed. Discard product if the attachment plug is damaged.

FAN CLEANING

- Always unplug the fan before cleaning or disassembling.
- Do not allow water to drip on or into the Fan Motor Housing.
- Use a soft cloth moistened with a soap solution to carefully clean the front and rear grills.
- Do not use any of the following as a cleaner: gasoline, thinner, or benzene.