

TROUBLESHOOTING FREQUENTLY ASKED QUESTIONS

TROUBLESHOOTING		
TROUBLE	PROBABLE CAUSE	SOLUTION
• Unit does not turn on.	<ul style="list-style-type: none"> ☛ Not plugged in. ☛ Outlet not functioning. 	<ul style="list-style-type: none"> ✓ Plug in unit. ✓ Have outlet replaced by a licensed electrician.
• Mist output minimal to none.	<ul style="list-style-type: none"> ☛ Filter has not absorbed water. ☛ Cool mist is invisible. 	<ul style="list-style-type: none"> ✓ Wait 30 minutes for filter to absorb water. ✓ Operate in High (2) setting.
• Filter turns brown.	<ul style="list-style-type: none"> ☛ The filter has absorbed minerals. 	<ul style="list-style-type: none"> ✓ Replace your filter (HWF62) by calling 1-800-546-5637, or visiting www.holmesproducts.com.

FREQUENTLY ASKED QUESTIONS	
Question	Answer
• What are the variables that affect run time?	<p>The estimated run time for this humidifier is based on average room conditions. The actual run time of your humidifier is dependent on numerous variables such as:</p> <ul style="list-style-type: none"> ✓ Air exchange in the room where the humidifier is placed. ✓ Room construction of the room where the humidifier is placed. ✓ Temperature of the room where the humidifier is placed. ✓ Humidity levels in the room where the humidifier is placed. ✓ Movement of occupants and the opening and closing of doors in the room where the humidifier is placed. ✓ Home furnishings in the room where the humidifier is placed.
• How do I remove film on water tank?	<ul style="list-style-type: none"> ✓ See Daily Maintenance instructions. Regular cleaning is recommended.
• How can I extend the run time?	<ul style="list-style-type: none"> ✓ Run your unit on the lowest setting. ✓ If your unit has electronics, set it to your desired humidity level. The unit will turn on and off, which will extend the run time. ✓ Fill the tank all the way full, place it on the base, let the water empty into the base until it stops bubbling, then refill the tank full again. This ensures maximum water capacity and will extend run time.

If you have any questions regarding your product or would like to learn more about other Holmes® products, please contact our Consumer Service Department at 1-800-546-5637 or visit our website at www.holmesproducts.com.

WARRANTY INFORMATION

1 YEAR LIMITED WARRANTY

Sunbeam Products, Inc. doing business as Jarden Consumer Solutions or if in Canada, Sunbeam Corporation (Canada) Limited doing business as Jarden Consumer Solutions (collectively "JCS") warrants that for a period of one year from the date of purchase, this product will be free from defects in material and workmanship. JCS, at its option, will repair or replace this product or any component of the product found to be defective during the warranty period. Replacement will be made with a new or remanufactured product or component. If the product is no longer available, replacement may be made with a similar product of equal or greater value. This is your exclusive warranty. Do NOT attempt to repair or adjust any electrical or mechanical functions on this product. Doing so will void this warranty.

This warranty is valid for the original retail purchaser from the date of initial retail purchase and is not transferable. Keep the original sales receipt. Proof of purchase is required to obtain warranty performance. JCS dealers, service centers, or retail stores selling JCS products do not have the right to alter, modify or any way change the terms and conditions of this warranty.

This warranty does not cover normal wear of parts or damage resulting from any of the following: negligent use or misuse of the product, use on improper voltage or current, use contrary to the operating instructions, disassembly, repair or alteration by anyone other than JCS or an authorized JCS service center. Further, the warranty does not cover: Acts of God, such as fire, flood, hurricanes and tornadoes.

What are the limits on JCS's Liability?

JCS shall not be liable for any incidental or consequential damages caused by the breach of any express, implied or statutory warranty or condition.

Except to the extent prohibited by applicable law, any implied warranty or condition of merchantability or fitness for a particular purpose is limited in duration to the duration of the above warranty.

JCS disclaims all other warranties, conditions or representations, express, implied, statutory or otherwise.

JCS shall not be liable for any damages of any kind resulting from the purchase, use or misuse of, or inability to use the product including incidental, special, consequential or similar damages or loss of profits, or for any breach of contract, fundamental or otherwise, or for any claim brought against purchaser by any other party.

Some provinces, states or jurisdictions do not allow the exclusion or limitation of incidental or consequential damages or limitations on how long an implied warranty lasts, so the above limitations or exclusion may not apply to you.

This warranty gives you specific legal rights, and you may also have other rights that vary from province to province, state to state or jurisdiction to jurisdiction.

How to Obtain Warranty Service

In the U.S.A.

If you have any questions regarding this warranty or would like to obtain warranty service, please call 1-800-546-5637 and a convenient service center address will be provided to you.

In Canada

If you have any questions regarding this warranty or would like to obtain warranty service, please call 1-800-546-5637 and a convenient service center address will be provided to you.

WARRANTY INFORMATION

In the U.S.A., this warranty is offered by Sunbeam Products, Inc. doing business as Jarden Consumer Solutions located in Boca Raton, Florida 33431. In Canada, this warranty is offered by Sunbeam Corporation (Canada) Limited doing business as Jarden Consumer Solutions, located at 20 B Hereford Street, Brampton, Ontario L6Y 0M1. If you have any other problem or claim in connection with this product, please write our Consumer Service Department. **PLEASE DO NOT RETURN THIS PRODUCT TO ANY OF THESE ADDRESSES OR TO THE PLACE OF PURCHASE.**

© 2013 Sunbeam Products, Inc. doing business as Jarden Consumer Solutions. All Rights Reserved.
Distributed by Sunbeam Products, Inc. doing business as Jarden Consumer Solutions, Boca Raton, Florida 33431.

166375
GCDS-HOL29325-SZ

HCM600_13EM1

Printed In China

Holmes®

Owner's Guide

HCM600

☎ INFO HOT-LINE: If, after reading this owner's guide you have any questions or comments, please call 1-800-546-5637 and a Customer Service Representative will be happy to assist you.

FILTER# : HWF62
FILTER TYPE : WICK



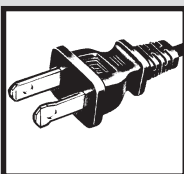
Cool Mist Humidifier

PLEASE READ AND SAVE THESE IMPORTANT INSTRUCTIONS

PLEASE READ AND SAVE THESE IMPORTANT SAFETY INSTRUCTIONS

When using electrical appliances, basic safety precautions should always be followed to reduce the risk of fire, electric shock, and injury to persons, including the following:

1. Read all instructions before using the appliance.
2. To avoid fire or shock hazard, plug the appliance directly into a 120V AC electrical outlet.
3. Keep the cord out of heavy traffic areas. To avoid fire hazard, NEVER put the cord under rugs or near heat registers.
4. DO NOT place humidifier near heat sources such as stoves, radiators, and heaters. DO locate your humidifier on an inside wall near an electrical outlet. The humidifier should be at least 4 inches (10 cm) away from the wall for best results.
5. NEVER place humidifier in an area where it is accessible to children. NEVER use humidifier in a closed room, particularly where a child may be sleeping, resting, or playing (a closed room may result in excessive humidity).
6. **WARNING:** Do not attempt to refill humidifier without first unplugging the unit from its electrical outlet. Failure to heed this warning may cause personal injury. Be sure to unplug the unit by pulling on the plug and not the cord.
7. Never place anything over moisture outlet when the unit is running.
8. NEVER drop or insert any object into any openings.
9. DO NOT operate any appliance with a damaged cord or plug, after the appliance malfunctions, or if it has been dropped or damaged in any manner. Return appliance to manufacturer for examination, electrical or mechanical adjustment, or repair.
10. Use appliance only for intended household use as described in this manual. Any other use not recommended by the manufacturer may cause fire, electric shock, or injury to persons. The use of attachments not recommended or sold by the manufacturer may cause hazards.
11. DO NOT use outdoors.
12. Always place humidifier on a firm, flat, level surface. A waterproof mat or pad is recommended for use under the humidifier. NEVER place it on a rug or carpet, or on a finished floor that may be damaged by exposure to water or moisture.
13. DO NOT allow the Moisture Outlet to directly face the wall. Moisture could cause damage, particularly to wallpaper.
14. Humidifier should be unplugged when not in use.
15. NEVER tilt, move, or attempt to empty unit while it is operating. Shut off and unplug before removing the water tank and moving the unit.
16. This humidifier requires daily and weekly maintenance to operate appropriately. Refer to daily and weekly cleaning procedures. Use only cleaners and additives recommended by the manufacturer.
17. NEVER use detergents, gasoline, glass cleaner, furniture polish, paint thinner, or other household solvents to clean any part of the humidifier.
18. Excessive humidity in a room can cause water condensation on windows and some furniture. If this happens, turn the humidifier OFF.
19. Do not use humidifier in an area where humidity level is in excess of 50%. Use a hygrometer, available at your local retailer or through the manufacturer, to measure the humidity.
20. DO NOT attempt to repair or adjust any electrical or mechanical functions on this unit. Doing so will void your warranty. The inside of the unit contains no user serviceable parts. All servicing should be performed by qualified personnel only.
21. Never place housing under water flow or immerse in liquids.
22. Do not plug in the cord with wet hands: electric shock could result.
23. Do not pour water in any openings other than the water tank.
24. To prevent damage to surfaces, do not place humidifier under overhanging surfaces.
25. NEVER operate unit without water in the tank.



THIS APPLIANCE HAS A POLARIZED PLUG (one blade is wider than the other). To reduce the risk of electric shock, this plug is intended to fit in a polarized outlet only one way. If the plug does not fit fully in the outlet, reverse the plug. If it still does not fit, contact a qualified electrician to install the proper outlet.

DO NOT ATTEMPT TO MODIFY THIS PLUG OR DEFEAT THIS SAFETY FEATURE IN ANY WAY.

FEATURES - OPERATIONS

26. Do not move unit after it has been used until unit cools completely.
27. Use both hands when carrying full tank of water.

PLEASE READ AND SAVE THESE IMPORTANT SAFETY INSTRUCTIONS

CONSUMER SAFETY INFORMATION

NOTE: This is an electrical appliance and requires attention when in use.

NOTE: If moisture forms on the walls or windows of the room, turn off the humidifier. The room already has plenty of humidity and additional moisture may cause damage.

NOTE: DO NOT block air inlet or outlet.

Cord and Plug Installation Safety Instructions:

The length of cord used on this appliance was selected to reduce the hazards of becoming tangled in, or tripping over a longer cord. If a longer cord is necessary an approved extension cord may be used. The electrical rating of the extension cord must be equal to or greater than the rating of the humidifier (refer to the rating information placed on the humidifier). Care must be taken to arrange the extension cord so that it will not drape over the countertop or tabletop where it can be pulled on by children or accidentally tripped over.

HOW COOL MIST WORKS

Your Holmes® Cool Mist humidifier draws dry air through the rear air intake grill area. This air is then passed through a moisture-laden wick filter, which retains the minerals and deposits in the water. The resulting moist air is directed back into the room from the top air grill.

NOTE: This humidification system provides a cool, invisible moisture output. It is normal not to see the mist.

NOTE: A humidity level below 20% can be unhealthy and uncomfortable. The recommended humidity level is between 40%-50%.

PRE-OPERATING INSTRUCTIONS

1. Be sure the humidifier is switched to OFF (0) and the unit is disconnected from the electrical outlet.
2. Select a location for your humidifier, on a flat surface, about 4 inches (10 cm) away from the wall. DO NOT place the humidifier on a finished floor or near furniture, which can be damaged by too much moisture or water. Place on a moisture resistant surface.
3. Select current month (JAN, FEB, ..., DEC) on the Filter Reminder Dial (see figure 2). For example, if the current month is January, scroll to select JAN. This will serve as reference for when filter replacement is needed.

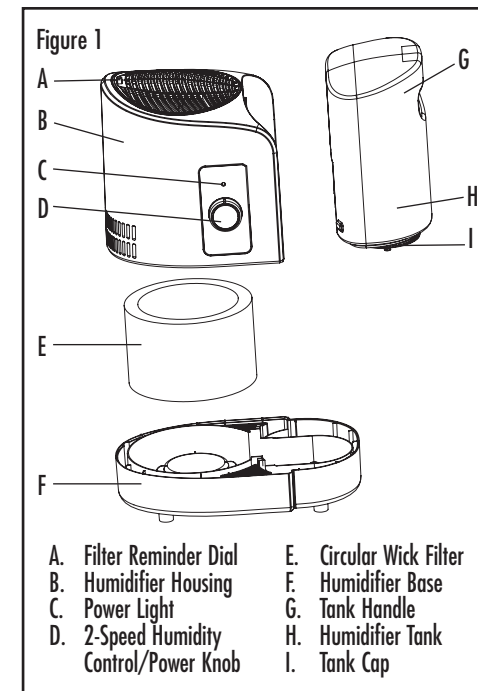
FILLING THE WATER TANK

1. Remove the tank from the base of the humidifier and bring to the faucet. Turn the tank upside down and twist off the tank cap by turning counter clockwise. Fill tank with cool, fresh tap water. DO NOT fill with warm water as this may cause leaking. Replace the cap on tank FIRMLY.
2. This humidifier holds about 1 gallon of water in the tank and humidifier base. The humidifier will produce up to 1 gallon of water in a 24-hour period, depending on the room humidity and temperature.
3. Plug the power cord into a 120V AC electrical outlet, the Power Light will illuminate until the humidifier is unplugged.

OPERATING INSTRUCTIONS

1. Move the Humidity Control Knob to the HI (2) position. Move the Humidity Control knob to the LO (1) setting to lower the humidification rate. Allow up to 30 minutes for the filter to fully absorb water and the unit to produce the maximum moisture output.
2. When the water tank is empty, and the base is almost empty, you need to refill the tank. The fan will continue to run to help dry the humidifier. Shut off and unplug the unit. Please follow the Daily Cleaning Instructions. Refill the tank as directed in Pre-Operating Instructions.
3. Make sure the unit is switched OFF (0), then plug into the electrical outlet. Turn the power ON.

If you do not plan to use the humidifier for two or more days, make sure any residual water is drained from the tank cap tablet holder, water tank, base and wick filter to prevent algae or bacteria growth.



FEATURES - OPERATIONS

REPLACING THE FILTER

Through normal use, waterborne minerals and sediment become trapped in the wick filter. The harder your water, the greater the amount of minerals in the water, and the more often you will need to change your filter.

Use Filter Reminder Dial to keep track on how long a filter has been in use.

Filter Life — Under normal conditions of continuous use, a brand new filter will operate efficiently for 1 month. It is strongly recommended that a new filter be replaced every 30 days of use.

To replace the filter, follow the steps below.

1. Be sure the humidifier is switched OFF (0) and disconnected from the electrical outlet.
2. Remove the tank and main housing to access the base tray (see Figure 1).
3. Discard the old filter and follow weekly cleaning instructions.
4. Insert a new filter into the filter support in the base.
5. Replace the main housing and then the tank.
6. Reset the Filter Reminder Dial by turning the wheel to select the current month (JAN-DEC).
7. Repeat Operating Instruction steps.

It will take about 30 minutes for the humidifier to reach maximum output.

NOTE: You can purchase replacement filters (model HWF62) at a local retailer, by calling 1-800-546-5637, or by visiting www.holmesproducts.com. It is recommended that a replacement filter is purchased for uninterrupted use.

CLEANING / MAINTENANCE

CLEANING AND MAINTENANCE INSTRUCTIONS

Humidifiers provide comfort by adding moisture to dry, heated indoor air. To benefit most from the humidifier and avoid product misuse, follow all instructions carefully. Please note that this is an electrical appliance and requires attention when in use.

In addition, if you do not follow the recommended care and maintenance guidelines, micro-organisms may be able to grow in the water within the water tank. You must routinely follow the cleaning procedures that follow in order to ensure proper, efficient operation of your humidifier. Proper maintenance and cleaning is essential to the continued performance of your unit and the avoidance of algae or bacteria build-up.

Daily Maintenance

1. Be sure the unit is OFF and is disconnected from the electrical outlet.
2. Remove the housing and the tank from the humidifier and place in sink or tub.
3. Carry the base of the unit to the sink, remove the wick, place in sink, drain any remaining water and rinse thoroughly to remove any sediment or dirt. Wipe clean, and dry with a clean cloth or paper towel.
4. Drain the water from the tank into the sink and rinse tank thoroughly. Wipe clean, and dry with a clean cloth or paper towel.
5. Put filter back in, replace the housing, then refill tank with cool tap water as instructed earlier in the Filling Instructions. Do not overfill.
6. Follow Operating Instructions.

Weekly Maintenance

Remove scale:

1. Repeat steps 1-4 above.
2. Clean the base by partially filling the base with one 8-oz cups of undiluted white vinegar, or by using Cleanse Clean® solution (Model ST110) by the manufacturer. Leave this solution in the base for 20 minutes, while cleaning all the interior surfaces with a soft brush. Remove base scale by wiping the base with a cloth dampened with undiluted white vinegar.

3. Rinse with clean warm water to remove the cleaning solution before disinfecting the tank.

To Disinfect Humidifier Base and Tank:

1. Fill humidifier tank 1/2 full with water and 1/2 tablespoon of chlorine bleach.
2. Let the solution stand for 20 minutes, swishing every few minutes. Wet all surfaces.
3. Carefully empty the tank after 20 minutes, and rinse with warm water until you cannot detect any bleach smell. Dry with a clean cloth or paper towel.
4. Place filter back into tank and refill the water tank as directed in Operating Instructions, and turn the unit on.

STORAGE INSTRUCTIONS

When not using your humidifier for an extended period of time:

1. Dispose of the filters. DO NOT leave in unit.
2. Clean, rinse and thoroughly dry the humidifier as directed in weekly maintenance. DO NOT leave any water in the unit when storing. Leaving water in the unit may render the unit inoperable for the following season.
3. Place the humidifier in the original carton and store in a cool, dry place.
4. Order your replacement filter for next year's use.

REPLACEMENT ACCESSORIES

To order the replacement accessories you can do any of the following:

- Visit your local retailer
- Go to www.holmesproducts.com
- Call Consumer Service at 1-800-546-5637