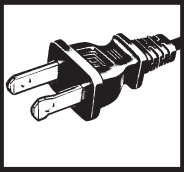




## PLEASE READ AND SAVE THESE IMPORTANT SAFETY INSTRUCTIONS

When using electrical appliances, basic safety precautions should always be followed to reduce the risk of fire, electric shock, and injury to persons, including the following:

1. Read all instructions before using this heater.
2. This heater is hot when in use. To avoid burns, do not let bare skin touch hot surfaces. If provided, use handles when moving this heater. Keep combustible materials, such as furniture, pillows, bedding, papers, clothes, and curtains at least 3 feet (0.9 m) from the front of the heater and keep them away from the sides and rear.
3. Extreme caution is necessary when any heater is used by or near children or invalids and whenever the heater is left operating and unattended.
4. Always unplug heater when not in use.
5. Do not operate any heater with a damaged cord or plug or after the heater malfunctions, has been dropped or damaged in any manner. Discard heater, or return to authorized service facility for examination and/or repair.
6. Do not use outdoors.
7. This heater is not intended for use in bathrooms, laundry areas and similar indoor locations. Never locate heater where it may fall into a bathtub or other water container.
8. Do not run cord under carpeting. Do not cover cord with throw rugs, runners, or similar coverings. Do not route cord under furniture or appliances. Arrange cord away from traffic area and where it will not be tripped over.
9. To disconnect heater, turn controls to off, then remove plug from outlet.
10. Do not insert or allow foreign objects to enter any ventilation or exhaust opening as this may cause an electric shock or fire, or damage the heater.



**THIS APPLIANCE HAS A POLARIZED PLUG (one blade is wider than the other). To reduce the risk of electric shock, this plug is intended to fit in a polarized outlet only one way. If the plug does not fit fully in the outlet, reverse the plug. If it still does not fit, contact a qualified electrician to install the proper outlet.**

**DO NOT ATTEMPT TO MODIFY THIS PLUG OR DEFEAT THIS SAFETY FEATURE IN ANY WAY.**

## LEA Y GUARDE ESTAS INSTRUCCIONES DE SEGURIDAD IMPORTANTES

Para reducir el riesgo de incendios, descargas eléctricas y lesiones personales al utilizar electrodomésticos, siga siempre las precauciones básicas de seguridad, incluyendo las que se mencionan a continuación:

1. Lea todas las instrucciones antes de usar este calefactor.
2. El calefactor se calienta al usarlo. Para evitar quemaduras, NO toque las superficies calientes con la piel. Si existen, utilice las manijas para mover la unidad. Mantenga los materiales combustibles, como muebles, almohadones, sábanas, papeles, ropa y cortinas a por lo menos 3 pies (0,9m) de la parte delantera del calefactor y manténgalos alejados de los costados y de la parte de atrás.
3. Debe tener mucho cuidado cuando el calefactor es utilizado por, o cerca de niños o inválidos, y siempre que se deje el calefactor prendido y desatendido.
4. Siempre desenchufe el calefactor cuando no lo utilice.
5. NO utilice el calefactor si el cable o el enchufe están dañados o luego de una falla, se haya caído o haya sufrido cualquier tipo de daño. Deseche el calefactor o devuélvalo al centro de servicio autorizado para su revisión y/o reparación.
6. NO utilice en el exterior.
7. Este calefactor no está diseñado para ser utilizado en baños, lavaderos y zonas similares de interiores. NUNCA coloque el calefactor donde pueda caerse dentro de una bañera u otro recipiente con agua.
8. No coloque el cable debajo de la alfombra. NO cubra el cable con alfombras, tapetes o artículos similares. No pase el cable por debajo de muebles o electrodomésticos. Coloque el cable lejos del área de tráfico y donde no se tropiece con él.
9. Para desconectarlo, gire el control a la posición OFF, luego quite el enchufe del tomacorriente.
10. No inserte ni permita que objetos extraños penetren en la ventilación o salida de aire ya que esto puede

11. To prevent a possible fire, do not block air intakes or exhaust in any manner. Do not use on soft surfaces, like a bed, where openings may become blocked.
12. A heater has hot and arcing or sparking parts inside. Do not use it in areas where gasoline, paint, or flammable liquids are used or stored.
13. Use this heater only as described in this manual. Any other use not recommended by the manufacturer may cause fire, electric shock, or injury to persons.
14. Always plug heaters directly into a wall outlet/ receptacle. Never use with an extension cord or retractable power tap (outlet/power strip).
15. When unplugging, be sure to pull by the plug and not the cord.
16. If the heater will not operate, see specific instructions on Auto Safety Shut-off.
17. DO NOT attempt to repair or adjust any electrical or mechanical functions on this unit. Doing so will void your warranty. The inside of the unit contains no user serviceable parts. All servicing should be performed by qualified personnel only.
18. Discontinue use if plug or outlet is hot. It is recommended that the outlet be replaced if plug or outlet is hot to touch.
19. The heater must not be located immediately below a socket-outlet. Do not use this heater in the immediate surroundings of a bath, a shower or a swimming pool.

## SAVE THESE INSTRUCTIONS

## ASSEMBLY INSTRUCTIONS

### TECHNICAL SPECIFICATIONS

- Amps: 12.5
  - Wattage: 1500W (+5% –10%)
  - Working voltage: 120V AC/60Hz
- NOTE:** Low Heat setting may be 1000W on some models.

### ASSEMBLY INSTRUCTIONS

**NOTE:** A Phillips screwdriver is required for assembly. Unpack your heater from box, being careful to remove all parts from plastic bags and remaining packaging. Please save the carton for off-season storage.

Some models are packed with separate base and pedestal in the box. Carefully remove all parts from plastic bags. To prevent scratches, place all parts onto a cloth before assembly. Follow the below instructions for Pedestal/Base assembly:

**Pedestal Assembly** (if no pedestal is included in this model, move to Base Assembly)

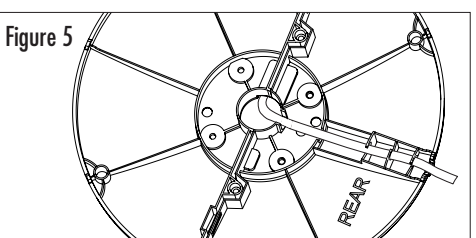
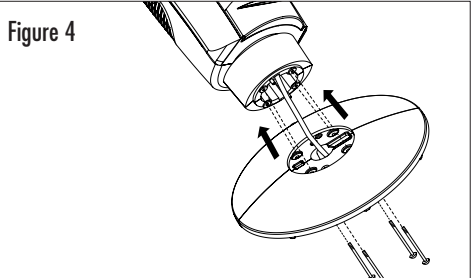
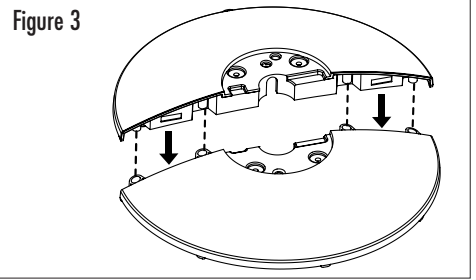
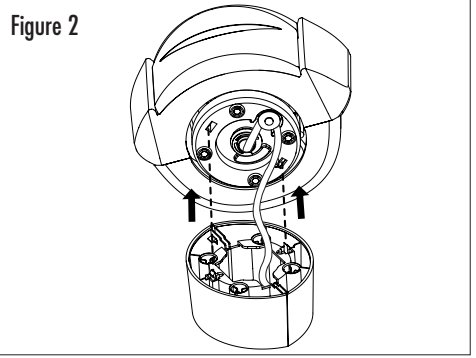
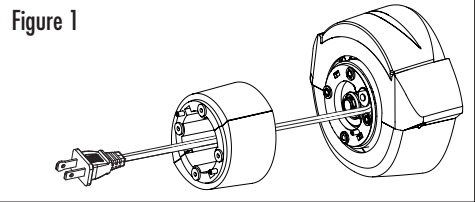
**Step 1:** Run the power cord through the center of the assembled pedestal. Snap pedestal into the bottom of the heater housing. Refer to Figure 1, 2.

#### Base Assembly

**Step 1:** If the base is in two halves, snap them together by sliding slots of one base half into slots of second base half. Refer to Figure 3.

**Step 2:** Run the power cord through the center of the assembled base. To assemble the base to the unit (either one or two-piece base) first make sure the side marked "Rear" is facing the back of the heater. Line up holes of the base with holes on bottom of pedestal (or heater housing if no pedestal is included), and secure with 4 provided screws. Refer to Figure 4.

**Step 3:** Lace the power cord through the cord minders on the underside of the base. Refer to Figure 5.



## FEATURES - OPERATIONS

**Step 4:** Turn the heater right side up and place on a flat level surface prior to beginning operation.

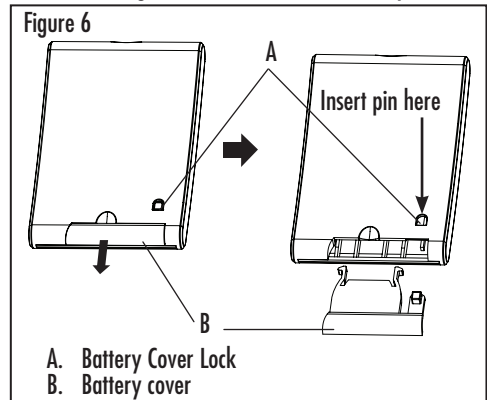
### REMOTE CONTROL (IF APPLICABLE)

If your heater comes with a remote control, unpack the remote control from box. This includes one lithium battery, CR2025/3V. Please note this remote control will not work through walls. Remove battery before discarding the remote.

**NOTE:** REMOVE THE PROTECTIVE COVER FROM THE BATTERY PRIOR TO BEGINNING OPERATION.

#### Battery Replacement

1. Locate the battery compartment on the back of the remote control handset. Insert a small object (such as a pin or paper clip) into the hole of the battery cover lock (see Figure 6) and slide out the battery cover.



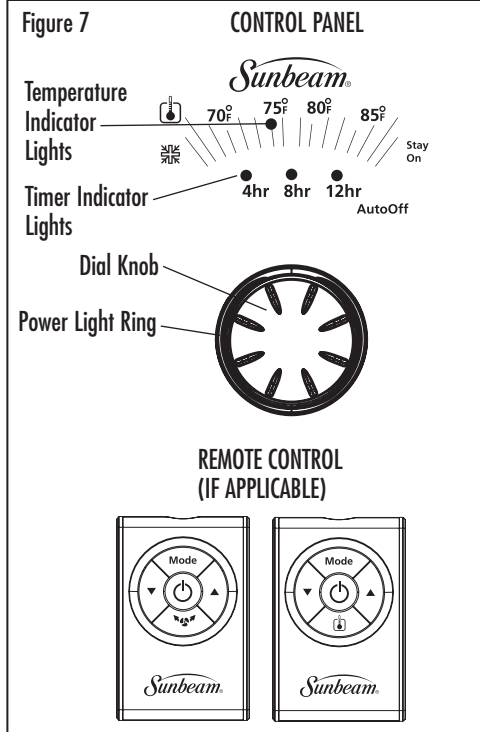
2. Remove old battery.
3. Place new battery into battery compartment.
4. Slide battery compartment into the remote control handset until the Battery Cover Lock is securely latched.
5. For your convenience, a remote control holder is integrated into the back of the heater housing.

#### NOTES

- Remove the battery from the equipment when it is not being used for an extended period of time.

## FEATURES - OPERATIONS

Figure 7



3. Operate heater by pressing the Power Button (⏻) and selecting modes and settings according to your preference. **NOTE:** Remove the plastic film from the control panel before using (if applicable).

#### Power On/Off

Press the Power On/Off Button to turn the heater on. Once on, the heater will run in the **Max Heat** mode and the **Stay On** temperature indicator light will illuminate. Press the Power On/Off button to manually turn off the heater at any setting.

**NOTE:** The Power Light Ring will remain illuminated while unit is plugged in.

- Remove the used battery promptly.
- Do not discard used batteries into household trash containers. Contact your local government for disposal or recycling practices in your area.

### FCC STATEMENT

#### Potential for Radio/Television interference

This device complies with Part 15 of the FCC Rules. Operation is subject to the following two conditions: (1) This device may not cause harmful interference, and (2) this device must accept any interference received, including interference that may cause undesired operation. This product has been tested and found to comply with the limits for a Class B digital device, pursuant to part 15 of the FCC rules.

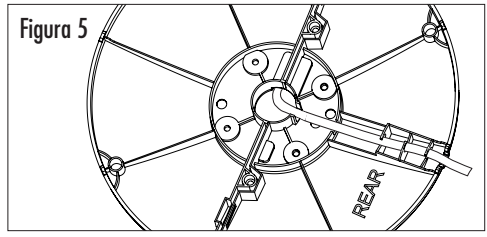
These limits are designed to provide reasonable protection against harmful interference in a residential installation. The product generates, uses, and can radiate radio frequency energy and, if not installed and used in accordance with the instructions, may cause harmful interference to radio communications. However, there is no guarantee that the interference will not occur in a particular installation. If the product does cause harmful interference to radio or television reception, which can be determined by turning the product on or off, the user is encouraged to try to correct the interference by one or more of the following measures:

- Reorient or relocate the receiving antenna.
- Increase the separation between the product and the receiver.
- Connect the product into an outlet on a circuit different from that to which the receiver is connected.
- Consult the dealer or an experienced radio/TV technician for help.
- Changes or modifications not expressly approved by the party responsible for compliance could void the user's authority to operate the equipment.

### OPERATING INSTRUCTIONS

1. Place heater on a firm, level surface.
2. Plug heater into a standard outlet. Once plugged in, the Power Light Ring will illuminate.

## CARACTERISTICAS Y FUNCIONAMIENTO



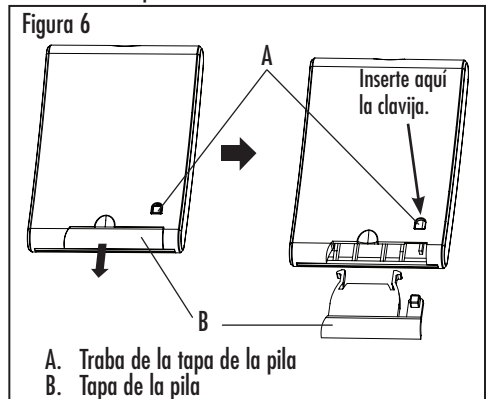
### CONTROL REMOTO (SI CORRESPONDE)

El calefactor viene con control remoto; desembale el control remoto de la caja. Incluye una pila de litio, CR2025/3V. Tenga en cuenta que el control remoto no funcionará con paredes de por medio. Retire la pila antes de descartar el control remoto.

**NOTE:** RETIRE LA FUNDA PROTECTORA DE LA PILA ANTES DE UTILIZARLA.

#### Reemplazo De Pilas

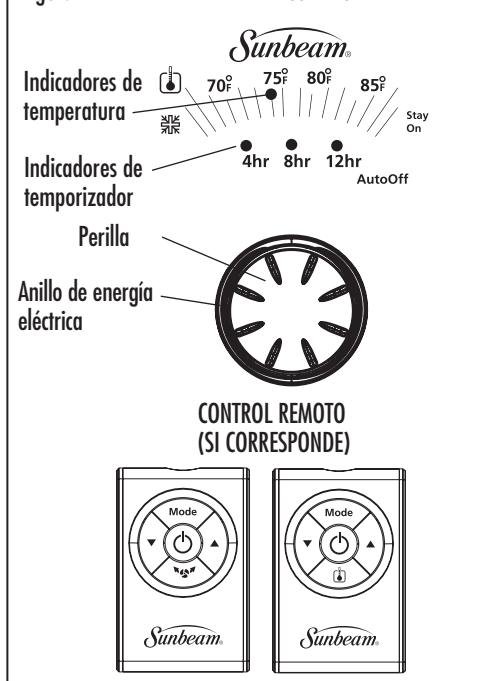
1. El compartimiento para las pilas se encuentra en la parte posterior del control remoto. Inserte un objeto pequeño (como un alfiler o clip) en el orificio de la tapa de la batería de seguridad (ver Figura 6) y deslice la tapa de la batería.



2. Quite la pila usada.
3. Coloque la pila nueva en el compartimiento.
4. Deslice el compartimiento de la pila hacia el control remoto hasta que la traba de la tapa de la pila se encuentre bien fija.

## CARACTERISTICAS Y FUNCIONAMIENTO

Figure 7



- Pedir ayuda al distribuidor o a un técnico de radio/TV idóneo.
- Todo cambio o modificación que no haya sido expresamente autorizado por la parte responsable de exigir el cumplimiento podría anular la autoridad del usuario para usar el equipo.

### INSTRUCCIONES DE USO

1. Coloque el calefactor en una superficie firme y nivelada.
2. Conecte el calefactor en un tomacorriente estándar. Una vez conectado, se encenderá el anillo de luz del indicador de energía eléctrica.
3. Active el calefactor presionando el botón Encendido

## FEATURES - OPERATIONS

### Timer (if applicable)

Some models are equipped with 12-Hour Auto Shut-off Timer feature. This allows you to program your heater to shut off automatically after running for 4-hour, 8-hour or 12-hour intervals.

1. Press the Timer Button (⏻) once. The indicator light and the Power Light Ring will begin to blink for 5 seconds.
2. Turn the Dial Knob to cycle through the below sequence:



3. Select your desired interval for the heater to shut-off automatically. The corresponding hour indicator light will illuminate, the Timer indicator light and the Power Light Ring will stop blinking and become illuminated in 3 seconds to indicate that the selected timer is activated.
4. To cancel the Timer feature, press the Timer Button (⏻) twice within 5 seconds, and all Timer indicator lights will go off.

**NOTE:** The timer does not work with the FrostProtect™ Setting.

To preset a precise comfort level, turn the Dial Knob to adjust the temperature level ranging from **70°F** to **85°F**. The corresponding **Temperature Indicator** will illuminate once selected. When the preset temperature is reached, the heater will shut off and cool down for 15 seconds. When the room temperature drops below the preset temperature, the heater will automatically turn on again to maintain the preset temperature level.

### FrostProtect™ Setting

To prevent frost, you may turn the Dial Knob to **FrostProtect™** setting (☀️), the heater will turn on automatically when the room temperature drops below 40°F.

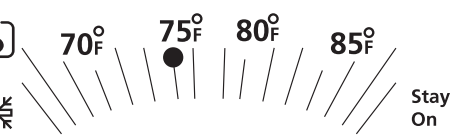
**NOTE:** It is normal for the heater to cycle on and off to maintain the preset temperature. Raise the thermostat setting to prevent the heater from cycling. When the preset temperature is reached or when the heater is shut off, the fan will run for 15 seconds without heat. This cool down process ensures an accurate and consistent temperature reading.

**NOTE:** To shut the heater off at any setting, press the Power Button (⏻) until all indicator lights go off. The heater will cool down for 15 seconds, and the **Fan Only** indicator light will blink in Amber until cool down is completed. The digital thermostat has memory; it will remember the last temperature setting before the heater is turned off. However, if the heater is unplugged, the digital thermostat will no longer remember the previous temperature setting. You will need to reset the digital thermostat if the heater is unplugged.

### Oscillation (if applicable)

Press the Oscillation Button (🌀) either on the control panel or remote control (if applicable) to activate or stop the oscillation feature.

**NOTE:** Please do not manually turn the heater on the base. It is designed to turn only by motorized oscillation.



## CARACTERISTICAS Y FUNCIONAMIENTO

energía eficiente **Eco-Smart™**. Ahora el calefactor alternará entre configuraciones de temperatura alta (1500 W.) y baja (750 W.) para calefaccionar.

### Control de termostato

Su calefactor se encuentra equipado con un termostato digital que le permite configurar el calefactor en un nivel de confort preciso moviendo la perilla o presionando las botones con flechas del control remoto (si corresponde).

**NOTE:** Si su calefactor viene con el botón Termostato (⚙️) en el panel de control o en el control remoto (si corresponde), podrá presionar el botón o girar la perilla para activarlo.

### Oscilación (si corresponde)

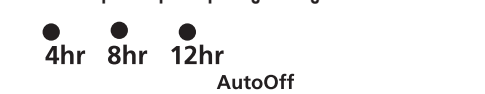
Presione el botón Oscilación (🌀) del panel de control o del control remoto (si corresponde) para activar o detener la función de oscilación.

**NOTE:** No encienda manualmente el calefactor en la base. Está diseñado para encenderse únicamente ante oscilaciones motorizadas.

### Temporizador (si corresponde)

Algunos modelos vienen con la función de temporizador de apagado automático a las 12 horas. Esto permite programar el calefactor para que se apague de manera automática luego de haber estado en funcionamiento por 4, 8 ó 12 horas.

1. Presione el botón Temporizador (⏻) una vez. La luz indicadora y el anillo de energía eléctrica titilarán por 5 segundos.
2. Gire la perilla para que siga la siguiente secuencia:



Para evitar la condensación, gire la perilla a **FrostProtect™** Configuración (☀️) y el calefactor se encenderá de manera automática cuando la temperatura ambiente baje a menos de 40°F.

**NOTE:** Es normal que el calefactor se encienda y se apague para mantener la temperatura preestablecida. Aumente la configuración del termostato para evitar que el calefactor se apague y se encienda. Cuando el calefactor llega a la temperatura preestablecida o cuando se apaga el calefactor, el ventilador continuará funcionando durante 15 segundos sin calor. Este proceso de enfriamiento asegura una lectura de temperatura precisa y uniforme.

**NOTE:** Para apagar el calefactor cualquiera sea la