

contigo®

360° Thermal Bottle Care and Use

⚠ CAUTION

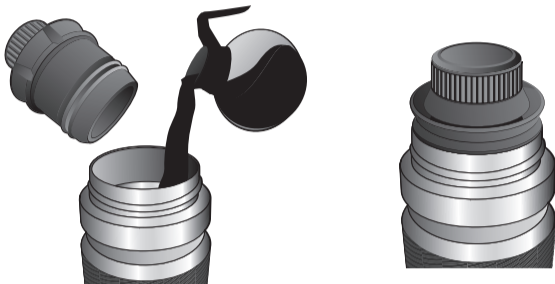
Contents May Be Hot.

⚠ CAUTION

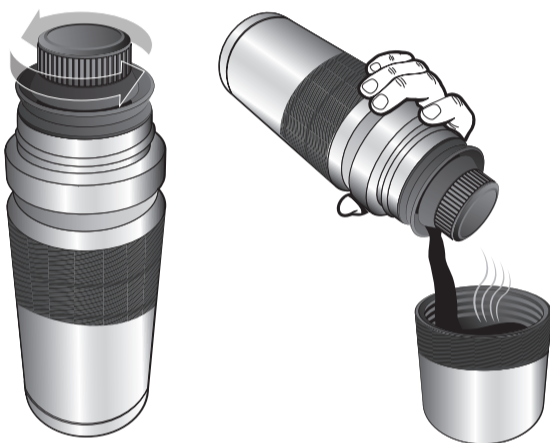
- Careful. Hot beverages in this container stay hot for hours. For best results always use caution and point the cap away from your face when opening.
- Keep out of reach of children when filled with hot liquids.
- DO NOT overfill with hot liquids. Do not fill beyond wide bottom bump. Overfilling can cause leaks, spills and scalding.
- To prevent spills, ensure stopper and pour collar are assembled properly and fully tightened before use.
- NEVER use PRODUCT with only the drink cup INSTALLED, without internal stopper. THE DRINK Cup alone IS NOT LEAK-PROOF.
- DO NOT use in a microwave or freeze.
- DO NOT use cleaners containing bleach, chlorine or other abrasives and/or other harsh chemicals.

USAGE RECOMMENDATION

- Wash all parts thoroughly before first use. Stopper is dishwasher safe, cups and body should be hand washed only.
- TO FILL: Unscrew the lid assembly and remove completely. Fill to just below lower wide bottom bump.
- Screw lid assembly back on.

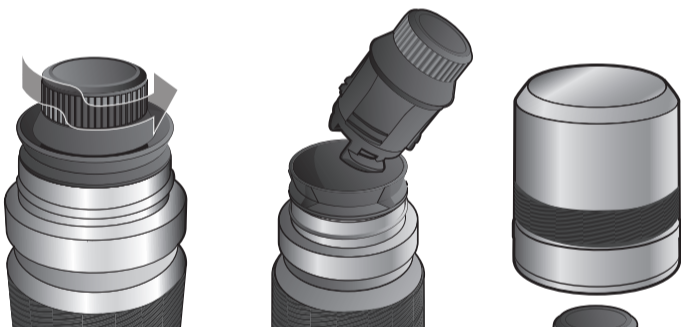


- TO USE: Turn the stopper cap half-turn and pour out of any side of the lid collar. Turn the cap back half-turn to close.



TO REMOVE/DISASSEMBLE THE LID ASSEMBLY FOR CLEANING:

- Continue unscrewing the stopper cap past the half turn until you feel the stopper come loose, remove the stopper. Then unscrew the pour collar and remove.

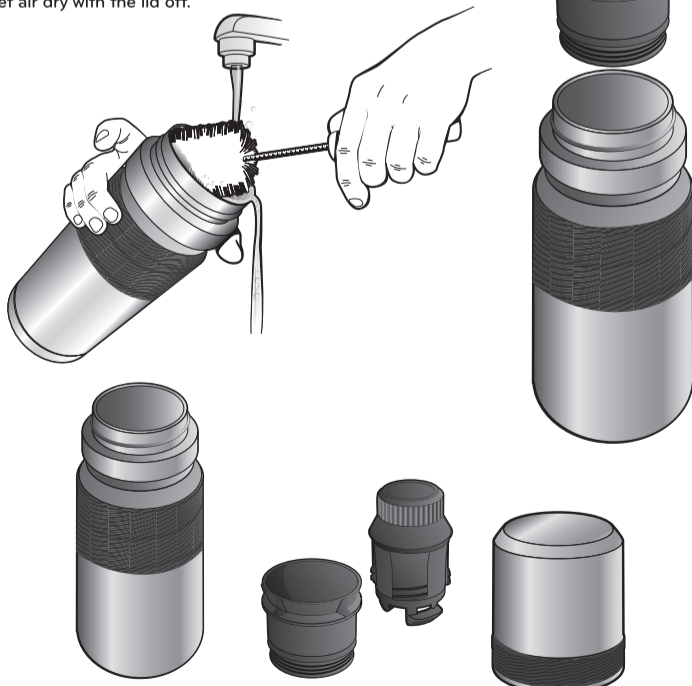


TO REASSEMBLE AFTER CLEANING:

1. Screw in the pour collar; 2. Screw in the plug, screw on the cap.

HANDWASH INSTRUCTIONS:

1. Fill with warm water and mild detergent.
2. Let sit for 5-10 minutes.
3. Wash with a soft cloth or sponge, for best results use Contigo® brushes.
4. Rinse with warm water.
5. Let air dry with the lid off.



ADDITIONAL CLEANING TIPS

For additional product cleaning tips, please visit www.GoContigo.com/cleaning.



For complete warranty information, see GoContigo.com.

www.GoContigo.com

©2023 Contigo Brands. All Rights Reserved.

Should you have any questions about your purchase, please contact us at 1-888-262-0622 or GoContigo.com.