

contigo®

AUTOSEAL®

Casey Spill & Leak-Proof Water Bottle

USE AND CARE INSTRUCTIONS

⚠ WARNING: Not for use with carbonated beverages.
Do not freeze or microwave. Store with lid removed and interior open.

⚠ CAUTION:

- Not intended for children under 3 years of age.
- Product is NOT designed for hot liquids. Use only with cold liquids.
DO NOT use with carbonated or pulpy beverages.
- Prior to drinking, make sure the AUTOSEAL® lid is properly threaded to the body and screwed completely.
- Avoid accidental depressing of the AUTOSEAL® button by keeping the button free and clear of other objects.
- DO NOT overfill. Fill liquid just below the threading on the bottle.
- DO NOT use cleaners containing bleach, chlorine, abrasives, and/or harsh chemicals.
- When using the bottle at high altitudes twist the lid a quarter turn to relieve pressure, then reseal the lid before use.
- DO NOT continue to use if product is damaged.

HOW TO USE

Push button to sip from spout,
release button to seal
spill & leak-proof lid.

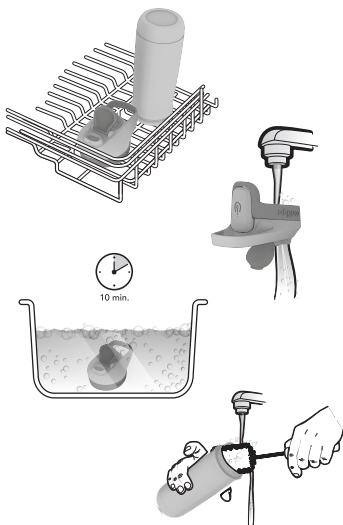


HOW TO CLEAN

1. Push arm down then back for easy
access to nooks and crannies.



- Top rack dishwasher safe.
- RINSE LID IMMEDIATELY AFTER EACH USE with warm water, pressing the AUTOSEAL® button so water flows through the drink spout and vent hole.
- If washing by hand, soak lid for 10 minutes in hot, soapy water. Hand wash body with warm water and a mild detergent.
- Rinse both lid and body thoroughly before use.



*Limited Lifetime Guarantee only
applicable in the US & Canada.
Visit GoContigo.com for details.

Made in China | Product of: Contigo Brands | Chicago, IL 60601 | www.GoContigo.com

We would love to hear from you.
1.888.262.0622